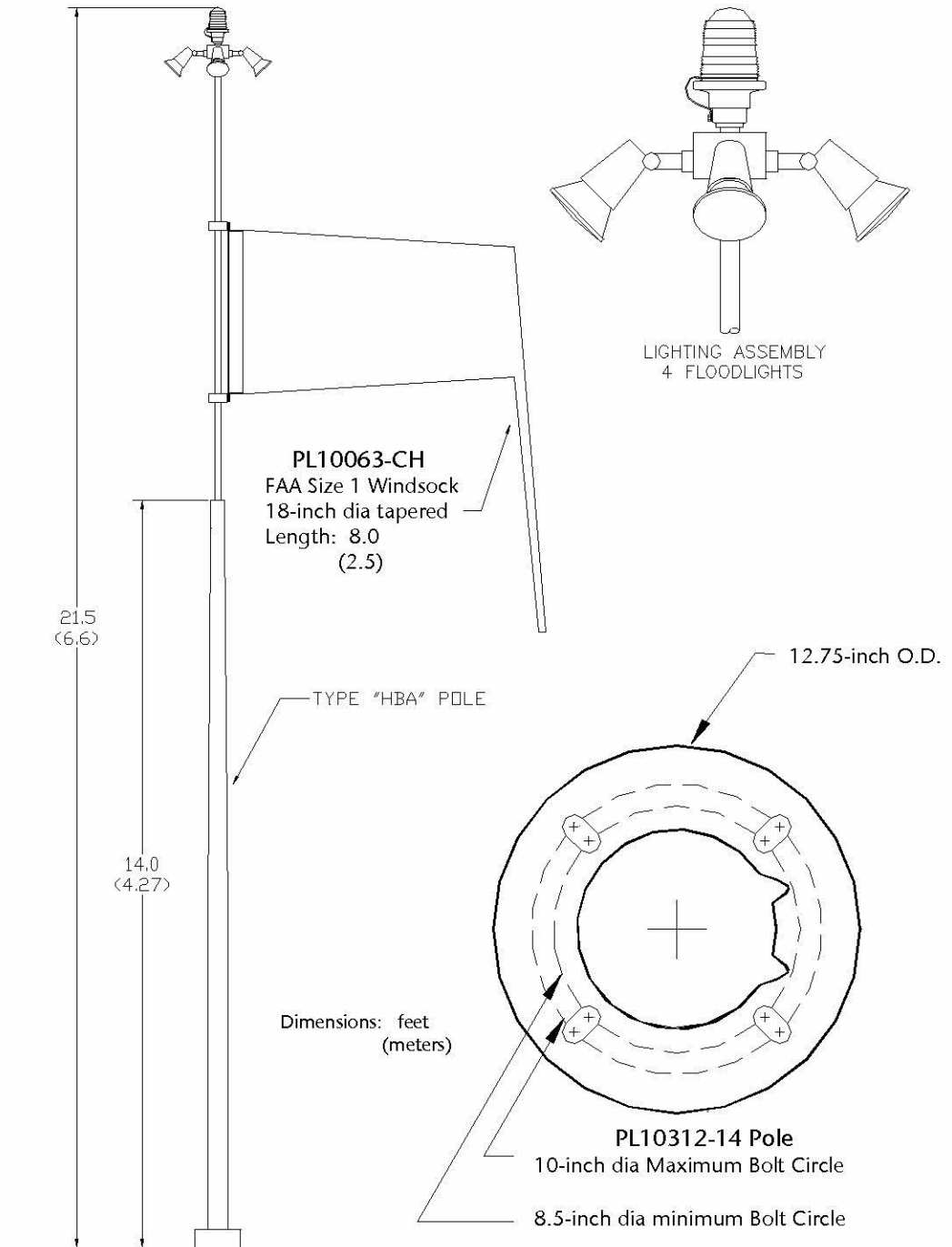




PWC-8071L



PWC WIND CONE SPECIFICATION GUIDE

POINT WIND CONES PWC RIGID EXTERNALLY LIGHTED

The PWC-8071L-1-ON-HBA is FAA L-807 certified. Additional features and other versions may not be addressed or anticipated by the FAA Advisory Circular. Consult FAA AC 150/5345-53B, Appendix 3, Addendum latest revision for a list of independently certified versions. Upon request, Point Lighting will provide technical assistance in determining the proper specification for the site and the application. In all cases, the owner is responsible to make the final decision for equipment selection. See page 2 for 220-240v units.

PWC-8071L-1-ON-HBA INCANDESCENT SPECIFICATION 120v

PWC-8071L-1-ON-HBA-D-L LED

FAA Type L-807, Size 1: Hinged Pole, 8-ft (2.5m) by 18-in Windsock, Externally Lighted, 120v

The FAA L-807 certified wind cone shall include a round, tapered, aluminum pole hinged at the base and fitted with an eyebolt for attachment of a rope or chain to assist lowering. Anchor bolts shall be included. There shall be a vibration damper installed internal to the pole to prevent failure from harmonic resonance. The pole shall include a Point Lighting design slipfitter sleeve to accept the upper bearing assembly to prevent moment stress and possible failure of the 1-inch threaded interface. To prevent any eventual tilting of the upper assembly due to wear, there shall be a machined stainless steel collar installed at the top of the hinged base pole.

The upper assembly shall use two high quality nylon coated corrosion resistant sealed ball bearings with grease fittings. All hardware shall be stainless steel. The windsock shall mount on a rigid lightweight aluminum frame basket for the first 3-ft (0.9m) to enhance visibility. The international aviation orange nylon windsock shall be reinforced at key points including the end of the basket to resist wear from abrasion and it shall be fitted with two or more brass grommets to prevent water accumulation in the sock. The sock shall attach to the basket simply and securely by means of stainless steel twist-lock marine grade hardware.

The lighting assembly shall include external floodlights and one top mounted certified FAA L-810 red obstruction light. The floodlight lamps shall be 120v, 120 watts halogen with 3000-hour life.

The manufacturer shall include enough 3-wire SO cable with strain relief to extend from the lighting to the base of the pole and connectors as required for field connection of the lights to the cable.

The pole assembly shall be prime painted with a water based stainless steel pigmented paint rated for 30 years life in corrosive atmospheres. The finish coat shall be a water based high gloss acrylic paint in aviation orange color according to Federal Standard 595 color #12197. The manufacturer shall submit technical data on the paints to be used in support of the anti-corrosion specifications. The manufacturer shall furnish one can of the orange paint to be used for touch-up after installation with the remainder turned over to the owner. Optional red-white windsock and red-white painting are available.

OPTION: -A EXPORT CRATING

The manufacturer crate the pole and upper bearing assembly for protection during shipping. Required for exported units.

OPTION: -D LED OBSTRUCTION LIGHT

In place of the standard incandescent single red obstruction light for a voltage powered wind cone, there shall be an FAA L-810 certified light emitting diode (LED) single red obstruction light (10 watts).

OPTION: -L LED FLOODLIGHTS

In place of the standard incandescent floodlights, there shall be six (6) LED floodlights.

OPTION: -HSP HINGED STEEL POLE

In place of the standard -HBA pole, the wind cone shall include a square, tapered, center hinged steel pole. The Point Lighting slipfitter sleeve design described above shall be retained. Due to the higher weight and unbalanced upper assembly, the pole shall include a mechanical winch for lowering the unit safely. Anchor bolts shall be included. The optional PWC Field Paint Kit PL10419-807 may be ordered separately and shall include prime and finish coat paints for brush application identical to those used for the PWC Wind Cone FAA L-807 certification testing. FAA L-807 certification applies to the -HBA version; -HSP is a customer requested option.

PWC-8071L-2-ON-HBA INCANDESCENT SPECIFICATION 220-240v

PWC-8071L-2-ON-HBA-D-L LED

Type 807, Size 1: Hinged Pole, 8-ft (2.5m) by 18-in Windsock, Externally Lighted, 220-240v

The wind cone shall include a round, tapered, aluminum pole hinged at the base and fitted with an eyebolt for attachment of a rope or chain to assist lowering. Anchor bolts shall be included. There shall be a vibration damper installed internal to the pole to prevent failure from harmonic resonance. The pole shall include a Point Lighting design slipfitter sleeve to accept the upper bearing assembly to prevent moment stress and possible failure of the 1-inch threaded interface. To prevent any eventual tilting of the upper assembly due to wear, there shall be a machined stainless steel collar installed at the top of the hinged base pole.

The upper assembly shall use two high quality nylon coated corrosion resistant sealed ball bearings with grease fittings. All hardware shall be stainless steel. The windsock shall mount on a rigid lightweight aluminum frame basket for the first 3-ft (0.9m) to enhance visibility. The international aviation orange nylon windsock shall be reinforced at key points including the end of the basket to resist wear from abrasion and it shall be fitted with two or more brass grommets to prevent water accumulation in the sock. The sock shall attach to the basket simply and securely by means of stainless steel twist-lock marine grade hardware.

The lighting assembly shall include external floodlights and one top mounted POL red obstruction light.

The manufacturer shall include enough 3-wire SO cable with strain relief to extend from the lighting to the base of the pole and connectors as required for field connection of the lights to the cable.

The pole assembly shall be prime painted with a water based stainless steel pigmented paint rated for 30 years life in corrosive atmospheres. The finish coat shall be a water based high gloss acrylic paint in aviation orange color according to Federal Standard 595 color #12197. The manufacturer shall submit technical data on the paints to be used in support of the anti-corrosion specifications. The manufacturer shall furnish one can of the orange paint to be used for touch-up after installation with the remainder turned over to the owner. Optional red-white windsock and red-white painting are available.

OPTION: -A EXPORT CRATING

The manufacturer crate the pole and upper bearing assembly for protection during shipping. Required for exported units.

OPTION: -D LED OBSTRUCTION LIGHT

In place of the standard incandescent single red obstruction light for a voltage powered wind cone, there shall be an FAA L-810 certified light emitting diode (LED) single red obstruction light (10 watts).

OPTION: -L LED FLOODLIGHTS

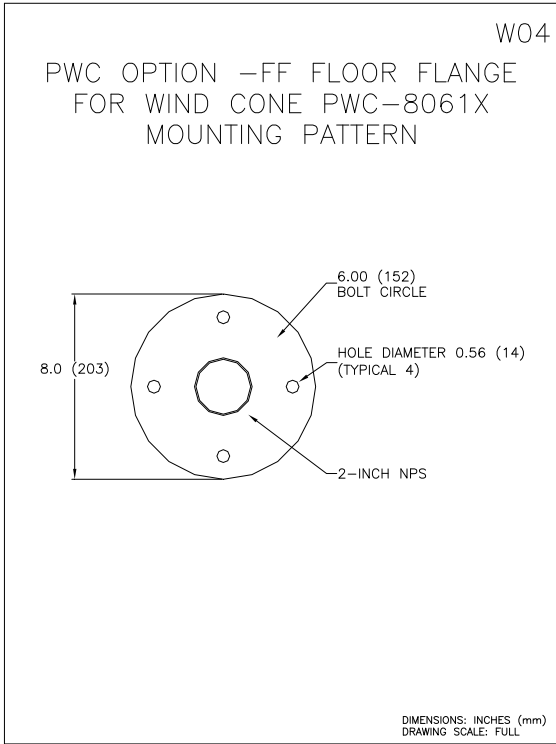
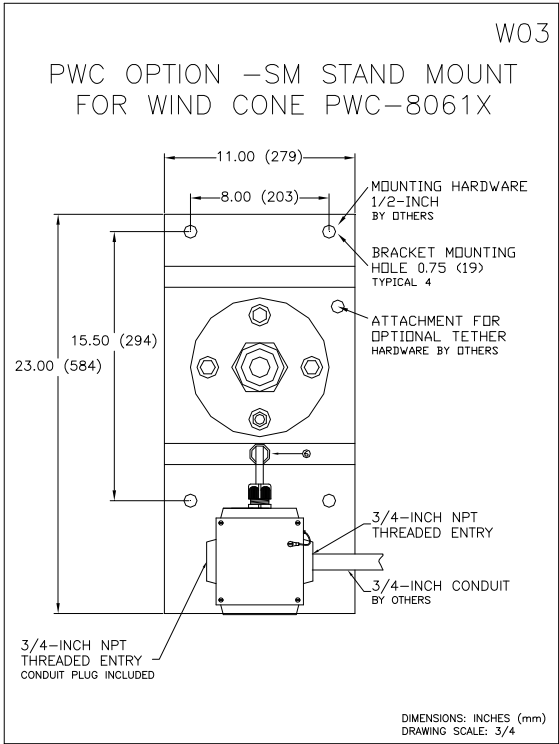
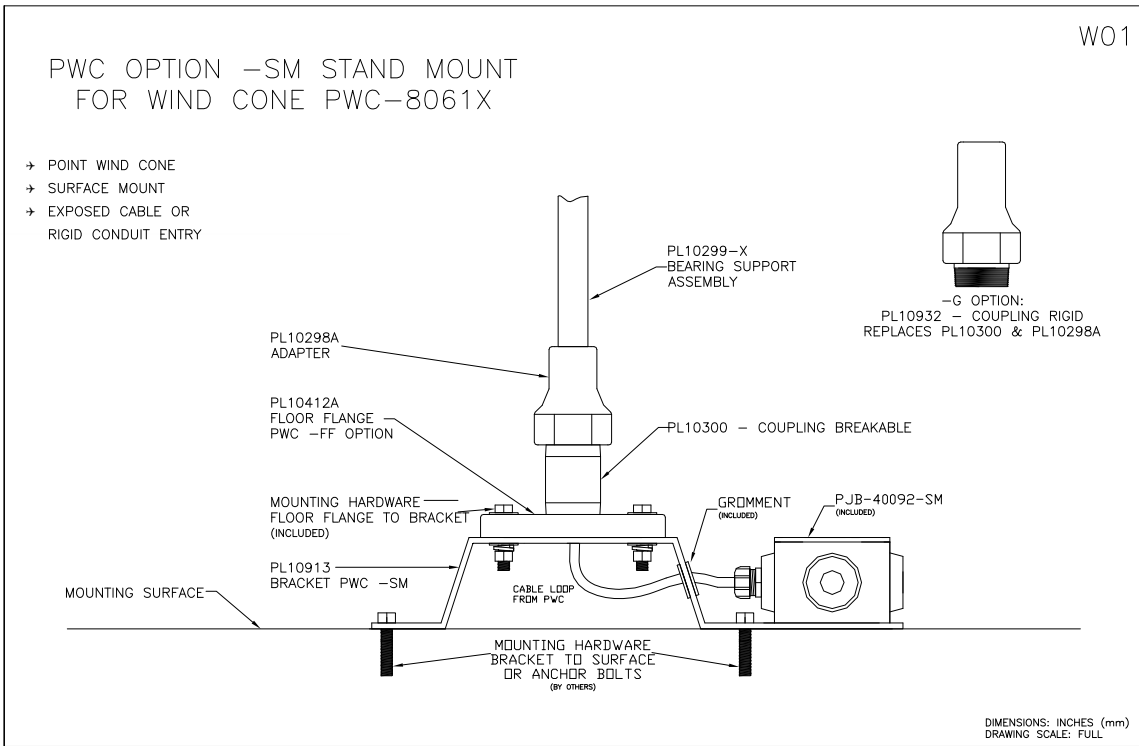
In place of the standard incandescent floodlights, there shall be six (6) LED floodlights.

OPTION: -HSP HINGED STEEL POLE

In place of the standard -HBA pole, the wind cone shall include a square, tapered, center hinged steel pole. The Point Lighting slipfitter sleeve design described above shall be retained. Due to the higher weight and unbalanced upper assembly, the pole shall include a mechanical winch for lowering the unit safely. Anchor bolts shall be included. The optional PWC Field Paint Kit PL10419-807 may be ordered separately and shall include prime and finish coat paints for brush application identical to those used for the PWC Wind Cone FAA L-807 certification testing.



POINT LIGHTING SPECIFICATION GUIDANCE PRODUCT MOUNTING DETAILS





POINT LIGHTING CORPORATION

POINT LIGHTING SPECIFICATION GUIDANCE PRODUCT MOUNTING DETAILS

