

ADALIT intelligent light

L-5000

L-5000 / L-5000AM



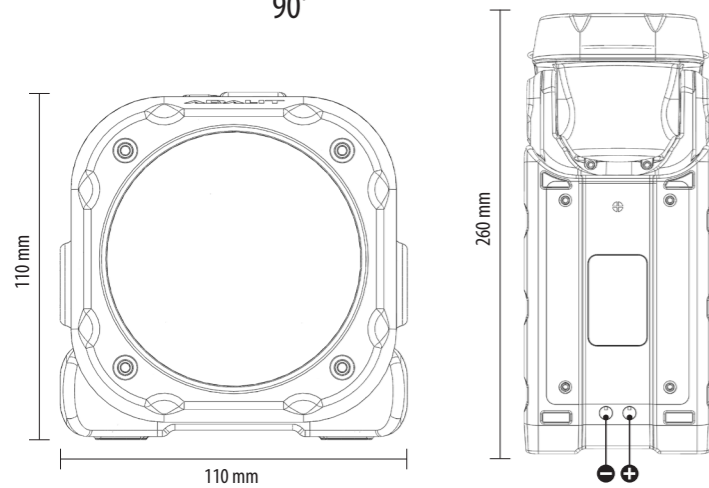
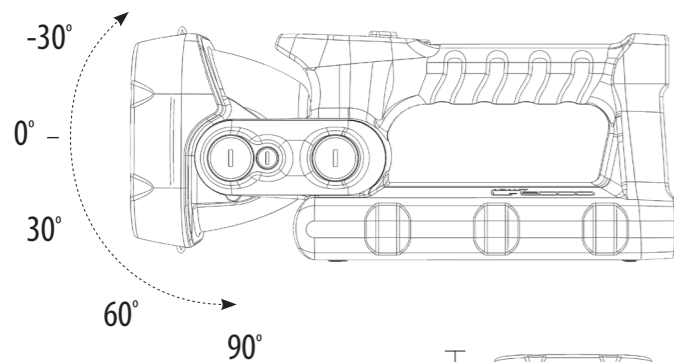
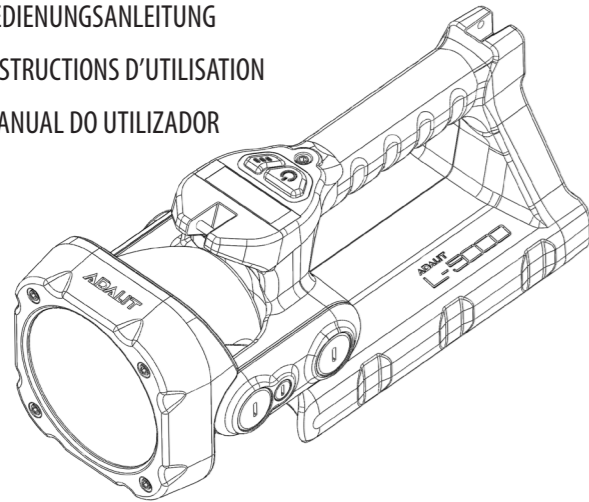
EN | USER INSTRUCTIONS

ES | MANUAL DE USUARIO

DE | BEDIENUNGSANLEITUNG

FR | INSTRUCTIONS D'UTILISATION

PT | MANUAL DO UTILIZADOR



EN | REPLACEMENT OF PARTS

⚠ Repair and replacement work should only be carried out by qualified personnel and in a safe and secure area. The use of parts not approved by ADARO or unauthorized modifications to the equipment may invalidate any warranty extended to the product.

ES | SUSTITUCIÓN DE COMPONENTES

⚠ Las tareas de reparación y/o sustitución sólo deben llevarse a cabo por personal debidamente capacitado y en una zona segura. El uso de componentes no aprobados por ADARO o modificaciones no autorizadas en el equipo pueden invalidar cualquier garantía otorgada al producto.

DE | AUSTAUSCH VON ERSATZTEILEN

⚠ Reparaturen/Austausch von Ersatzteilen darf nur von geeignetem Personal und ausschließlich in sicheren Bereichen durchgeführt werden. Die Garantie deckt keine Mängel ab, die durch nicht autorisierte Veränderungen am Gerät oder bei Verwendung von nicht von ADARO zugelassenen Ersatzteilen entstanden sind.

FR | REMPLACEMENT D'ÉLÉMENTS

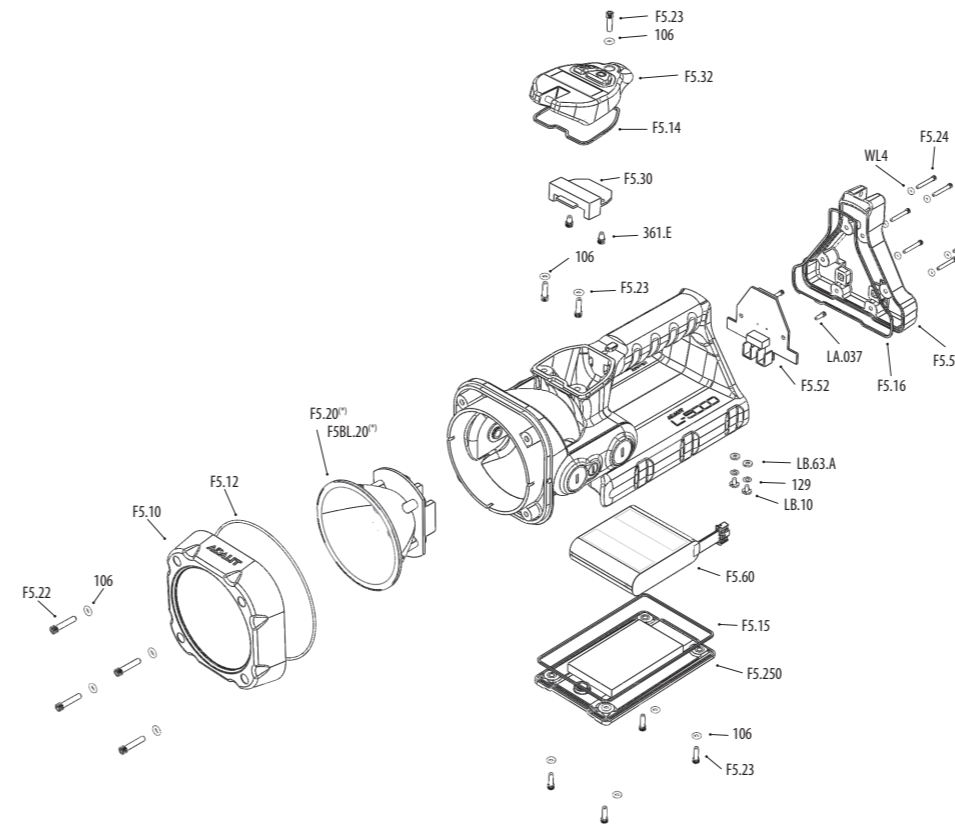
⚠ Les opérations de réparation et/ou remplacement ne peuvent être réalisées que par du personnel dûment qualifié et dans une zone sécurisée. L'utilisation d'éléments non approuvés par ADARO ou les modifications non autorisées sur l'appareil peuvent annuler toute garantie attribuée au produit.

PT | SUBSTITUIÇÃO DE COMPONENTES

⚠ As tarefas de reparação e/ou substituição devem ser realizadas, somente, por pessoal devidamente treinado e em área adequada e segura. O uso de componentes não aprovados pela ADARO ou modificações não autorizadas no equipamento podem invalidar qualquer garantia concedida ao produto.

ADALIT intelligent light

L-5000



EN | (*) 2 optic models are available: amber flashing light / blue flashing light.
 ES | (*) Disponibles 2 modelos de óptica, con luz intermitente ámbar o con luz intermitente azul.
 DE | (*) In 2 Modellen erhältlich - mit gelbem Blinklicht oder blauem Blinklicht.
 FR | (*) 2 modèles d'optique avec une lumière clignotante orange ou une lumière clignotante bleue sont disponibles.
 PT | (*) Disponíveis 2 modelos de ópticas, com luz intermitente ambar ou com luz intermitente azul

SPARE PARTS / REPUESTOS / ERSATZTEILE / PIÈCES DE RECHANGE / PEÇAS DE REPOSIÇÃO								
F5.100 Head cap	F5BL.200 Blue optic	F5.200 Amber optic	F5.600 Battery	F5.2500 Battery cover	F5.320 Display cover	F5.510 Back cover	F5.300 Display card	F5.520 Control plate
4 x F5.22	4 x F5.22	4 x F5.22	4 x F5.23	4 x F5.23	3 x F5.23	6 x F5.24	3 x F5.23	6 x F5.24
4 x 106	4 x 106	4 x 106	4 x 106	4 x 106	3 x 106	6 x WL.4	3 x 106	6 x WL.4
1 x F5.10	1 x F5.12	1 x F5.12	1 x F5.60	1 x F5.250	1 x F5.14	1 x F5.51	1 x F5.30	1 x F5.52
1 x F5.12	1 x F5BL.20	1 x F5.20	1 x F5.15	1 x F5.15	1 x F5.32	1 x F5.16	1 x F5.14	1 x F5.16
							2 x 361.E	2 x LA.037
								2 x LB.63.A
								2 x 129
								2 x LB.10

EN | Battery and optic replacement videos available at www.adalit.com
 ES | Videos de sustitución de la batería y de la óptica disponibles en www.adalit.com
 DE | Videos für den Austausch des Akkus oder Scheinwerfer unter www.adalit.com
 FR | Vidéos de remplacement de la batterie et de l'optique disponibles dans le site www.adalit.com
 PT | Videos de substituição das baterias e das ópticas disponíveis em www.adalit.com

EN | USER INSTRUCTIONS

⚠ CAUTION: LED RG-2 radiation Do not look directly at the light beam or shine it in anyone's eyes. It can cause damage to their eyesight.

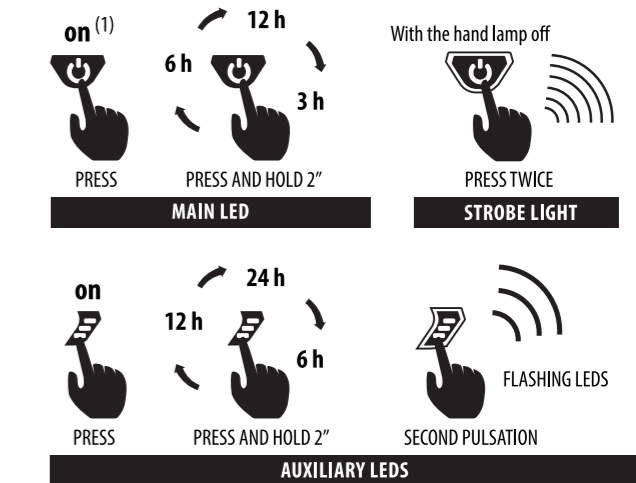
► PREPARATIONS FOR OPERATION

⚠ Before using the hand lamp for the first time, fully charge the battery.

► OPERATION

The ADALIT L-5000 hand lamp incorporates a digital display that indicates remaining battery level in hours and minutes.

It has 2 buttons to activate and deactivate the various functions:



(1) In this mode, the red positioning LEDs on the back of the torch light up.

The hand lamp features a swivel-head with a range of 5 positions: -30° / 0° / 30° / 60° / 90°.

► CHARGING SYSTEM

When the hand lamp is inserted in the charger, the LEDs turn off (in the event they are on), and the charger LED switches from green to red. The set default (3 hours burn time at full charge and at maximum light intensity) is restored, even if one of the other two had been entered for the hand lamp prior to recharging. Maximum charging time is 8 hours.

The time that appears after the letter "C" indicates the available burn time at maximum power if the hand lamp is disconnected from the charger and is used starting at that moment. As the battery reaches the end of its charge, the display flashes off and on every 15 seconds and displays an "F" followed by the available burn time.

If the display shows the error message "E0:00", this means the charger is defective. Any hand lamp component at risk of damage due to charger failure or breakdown will be protected.

► CLEANING, MAINTENANCE AND CHECK-UP

Cleaning: only use pH neutral detergent diluted in lukewarm water and apply with a soft cloth. Do not use alcohol or chemical solvents under any circumstances. Do not immerse in water.

Do not open the hand lamp in hazardous areas.

⚠ FOR MAXIMUM PERFORMANCE AND BATTERY LIFE, IT IS NECESSARY TO RUN DOWN AND RECHARGE THE HAND LAMP AT LEAST ONCE A MONTH.

► WARRANTY

The L-5000 hand lamp provides a 2 year warranty against any manufacturing defect, provided it is used under normal conditions and following these instructions for use, except in the case of the battery for which a 1 year warranty is provided.

► ACCESSORIES

The hand lamp includes a shoulder strap for carrying, reference no. F5-55.

► SPECIFICATIONS

Battery: Li-ion | Voltage: 3.7 V. | Energy: 32 Wh
 Size: 260 x 110 x 110 mm | Weight: 1.1 Kg.
 Temperature range: -20° C < ta < 45° C

► CHARGERS

Marking: CE / E-mark | Ingress protection: IP54
 Disconnecting after charging: Automatic
 Charge Indicator: Red LED: charging / Green LED: charged
 Power supply: DC: 12 V. / 24 V. | AC adapter 100/240 V. 50/60 Hz
 Types and Sizes: Individual: 135 x 110 x 165 mm / For 2 hand lamps: 135 x 110 x 300 mm / For 3 hand lamps: 135 x 110 x 440 mm

