

A

# SPECTRA

Trumpet Horn Xenon Strobe  
IP Rating: IP65  
Temp: -25 °C to +50 °C  
Unit weight: 638g  
CE

- Order code Voltage
- H110TX012G/x 12VDC
- 12V dc 52mA
  - 12V ac 50Hz 115mA
  - Beacon Current Consumption
  - 12V dc 500mA
  - 12V ac 50Hz 600mA

- H110TX024G/x 24VDC
- 24V dc 105mA
  - 24V ac 50Hz 215mA
  - Beacon Current Consumption
  - 24V dc 250mA
  - 24V ac 50Hz 300mA

- H110TX048G/x 48V AC/DC
- 48V dc 42mA
  - 48V ac 50Hz 68mA
  - Beacon Current Consumption
  - 48V dc 175mA
  - 48V ac 50Hz 250mA

- H110TX115G/x 115V AC
- 115V ac 50/60Hz 36mA
  - Beacon Current Consumption
  - 115V ac 50/60Hz 70mA

- H110TX230G/x 230V AC
- 230V ac 50/60Hz 18mA
  - Beacon Current Consumption
  - 230V ac 50/60Hz 35mA

# H110TX

Dimensions : 135 x 462.9mm  
1.5mm<sup>2</sup> terminals  
Cable entry: 1 x 5-7mm push through grommet

x = Lens colour  
R = Red A = Amber  
B = Blue C = Clear  
G = Green Y = Yellow

Tel : +44 (0)20 8743 8880 Fax : +44 (0)20 8740 4200  
mail : [sales@e2s.com](mailto:sales@e2s.com) web : [www.e2s.com](http://www.e2s.com)

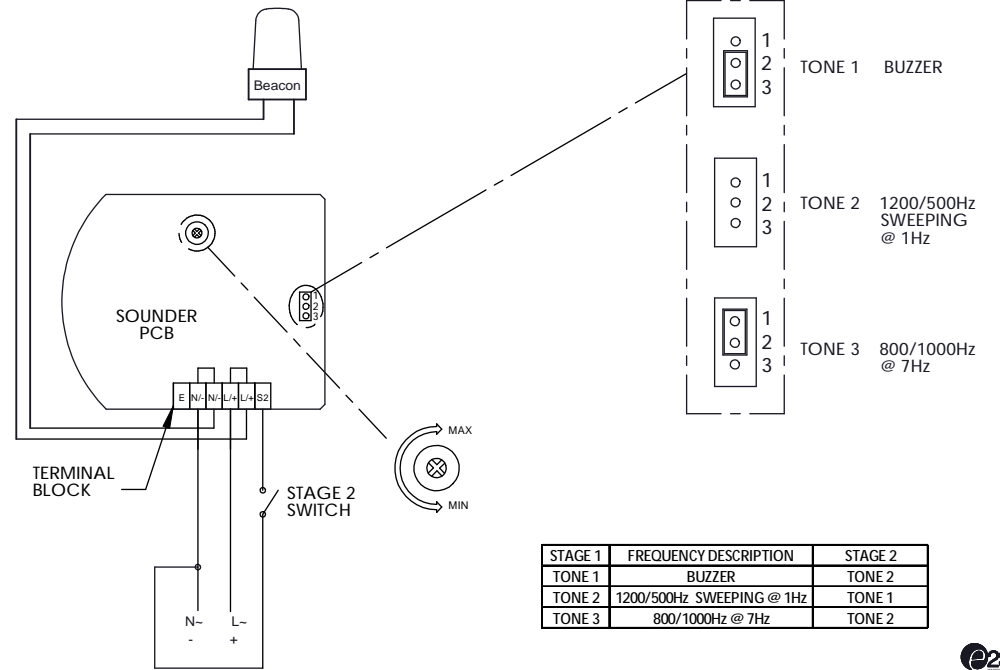


B

- ATTENTION:** Installation must be carried out by an electrician in compliance with the latest codes and regulations.
- ATTENTION:** Disconnect from power source before installation or service to prevent electric shock.
- ATTENTION:** On strobe beacons allow a minimum of 2 minutes for hazardous high voltage to discharge from unit.
- ATTENTION:** Lens on unit will be hot allow to cool prior to removal.



C



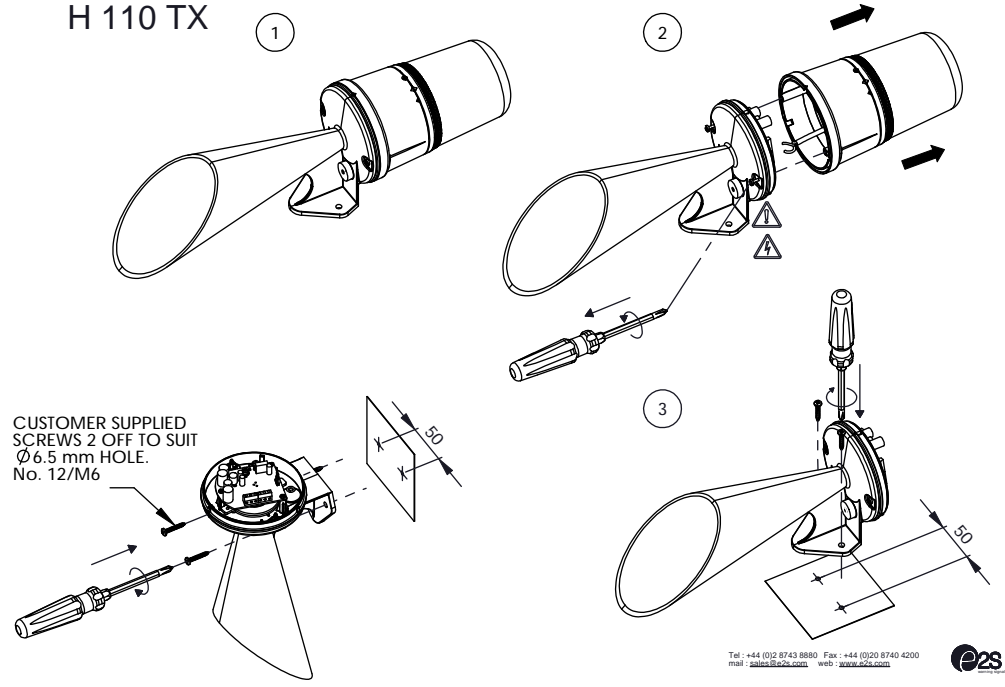
STAGE 1	FREQUENCY DESCRIPTION	STAGE 2
TONE 1	BUZZER	TONE 2
TONE 2	1200/500Hz SWEEPING @ 1Hz	TONE 1
TONE 3	800/1000Hz @ 7Hz	TONE 2



C



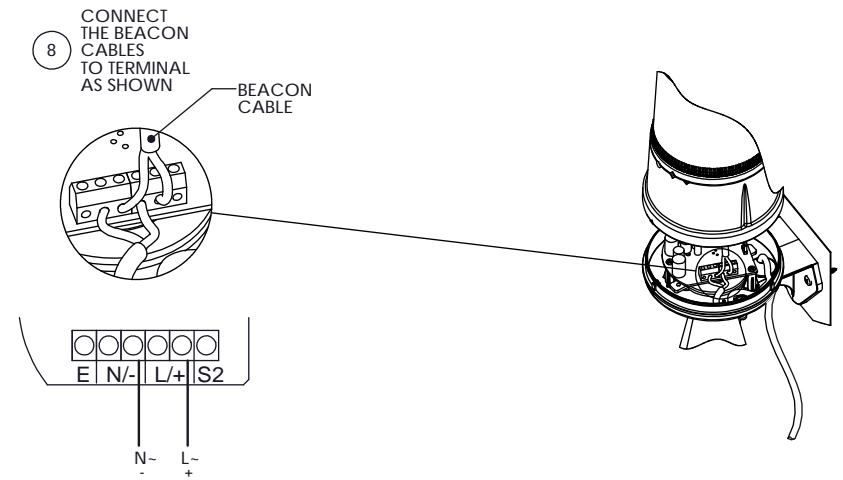
# A SPECTRA H 110 TX



Tel : +44 (0)2 8743 8880 Fax : +44 (0)20 8740 4200  
 mail : sales@e2s.com web : www.e2s.com



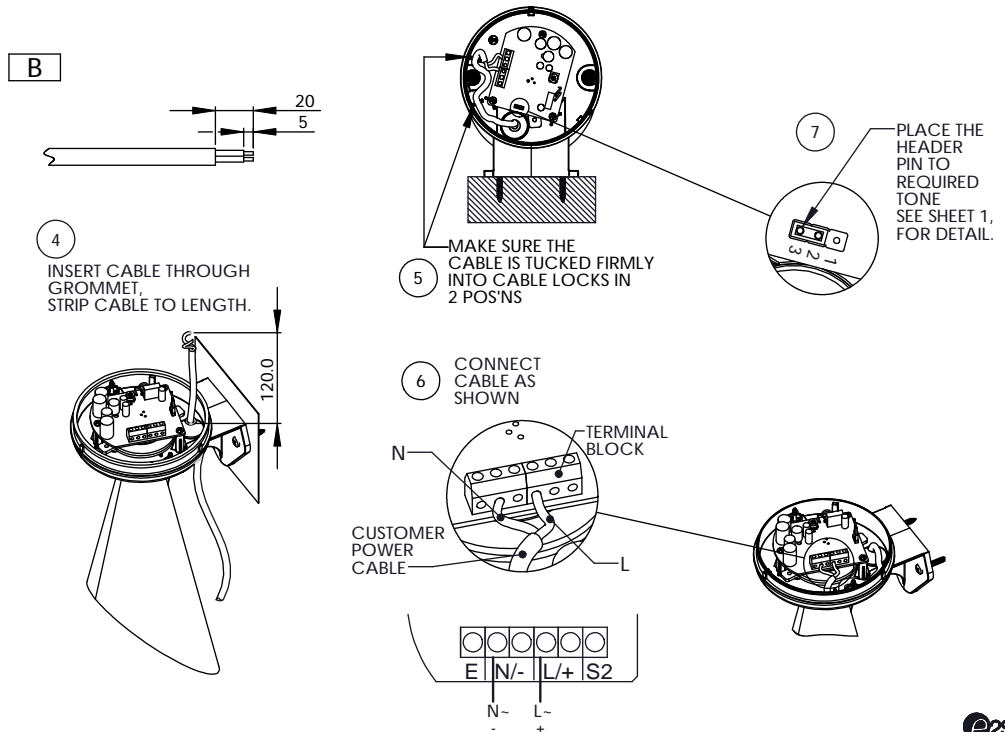
# C



TERMINAL BLOCK	A/C INPUT	D/C INPUT
E		
N/-	N-	-
N/-	N-(FROM BEACON)	-(FROM BEACON)
L/+	L-	+
L/+	L-(FROM BEACON)	+(FROM BEACON)
S2	SWITCH TO N-	SWITCH TO -



# B



Dimensions in mm



# D

