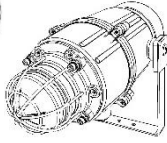
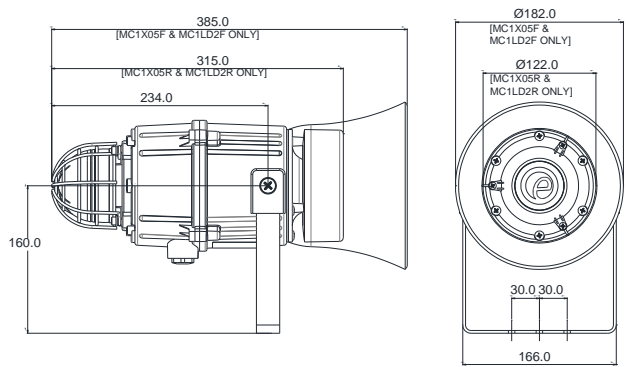


MC1LD2F /
MC1X05F





MC1LD2R /
MC1X05R



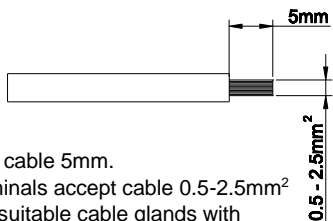
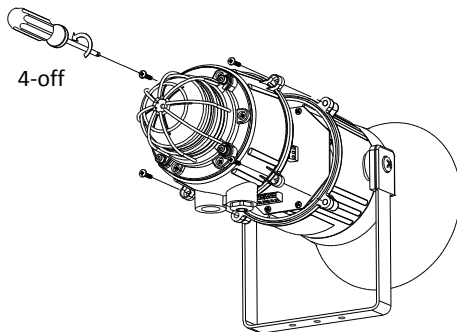
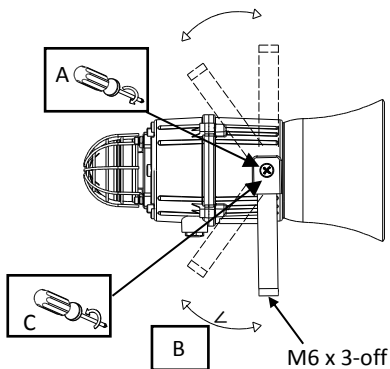
L.E.D/Xenon Beacon
112dBa Sounder
7 Selectable user modes
3 x Stage Switching
IP Rating: IP67/66 & Type
4/4X/13
Operating Temperature
Range:
-25°C to +55°C
Unit Weight: 3.0Kg
CE, EAC, Russian Maritime
Register and GOST-P
approved
M20 and/or ½" NPT Entries

Unit Type Code	Nominal Voltage	Voltage Range	Beacon Current	Sounder Current
MC1LD2FDC024 MC1LD2RDC024	24 V DC	18-54V DC	336	200
MC1LD2FAC115 MC1LD2RAC115	115V DC	115V +/-10% AC 50/60Hz	95	100
MC1LD2FAC230 MC1LD2RAC230	230V DC	230V +/-10% AC 50/60Hz	48	60
MC1X05FDC012 MC1X05RDC012	12 V DC	10-14V DC	550	200
MC1X05FDC024 MC1X05RDC024	24 V DC	20-28V DC	300	200
MC1X05FDC048 MC1X05RDC048	48 V DC	42-54V DC	180	120
MC1X05FAC115 MC1X05RAC115	115V DC	115V +/-10% AC 50/60Hz	140	100
MC1X05FAC230 MC1X05RAC230	230V DC	230V +/-10% AC 50/60Hz	55	60

 **ATTENTION:** Installation must be carried out by an electrician in compliance with the latest codes and regulations.

 **ATTENTION:** Disconnect from power source before installation or service to prevent electric shock.

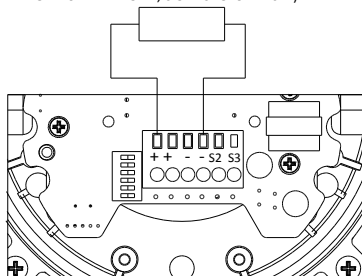




Strip cable 5mm.
 Terminals accept cable 0.5-2.5mm²
 Use suitable cable glands with
 suitable IP rating

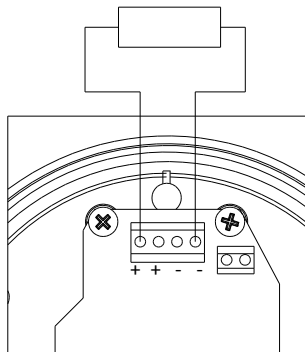
Optional LED Beacon Monitoring Resistor (DC Only)

DC Line Monitoring Resistor (Recommended:
 24V DC = MIN 3K9Ω, 0.5W or 1KΩ 2.0W
 48V DC = MIN 15KΩ, 0.5W or 3K9Ω 2.0W)



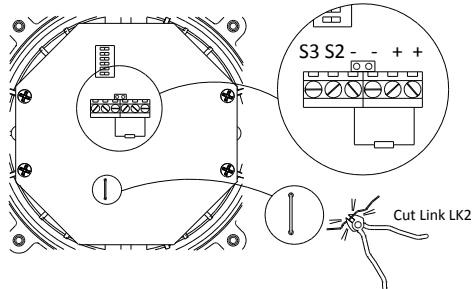
Optional Xenon Beacon Monitoring Resistor (DC Only)

DC Line Monitoring Resistor (Recommended:
 24V DC = MIN 3K9Ω, 0.5W or 1KΩ 2.0W
 48V DC = MIN 15KΩ, 0.5W or 3K9Ω 2.0W)

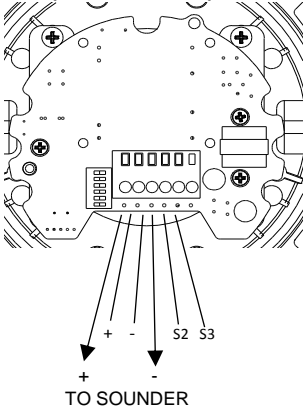


Optional Sounder Monitoring Resistor

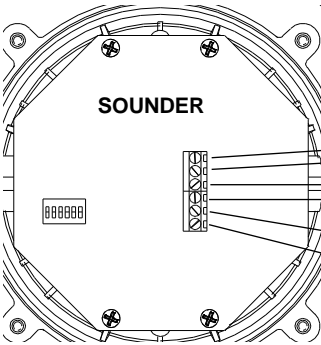
DC Line Monitoring Resistor (Recommended:
 24V DC = MIN 3K9Ω, 0.5W or 1KΩ 2.0W
 48V DC = MIN 15KΩ, 0.5W or 3K9Ω 2.0W)



**LED BEACON
(MC1LD2 ONLY)**

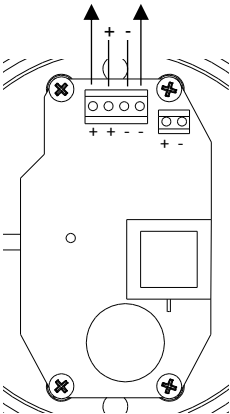


TO SOUNDER

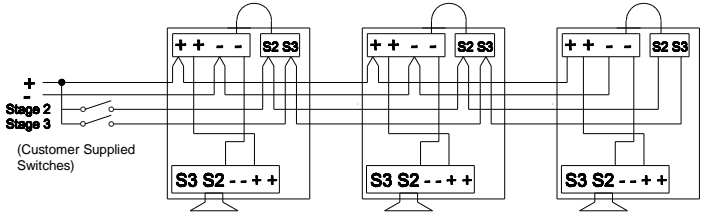


TO LED
OR
XENON
BEACON

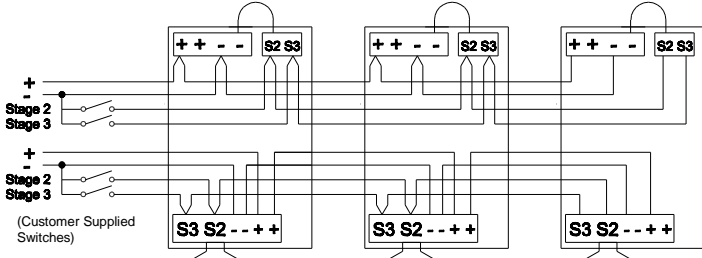
TO SOUNDER



**XENON BEACON
(MC1X05 ONLY)**

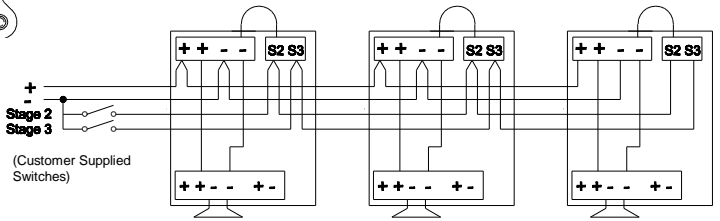


MC1LD2, Sounder & Beacon Linked (Default)

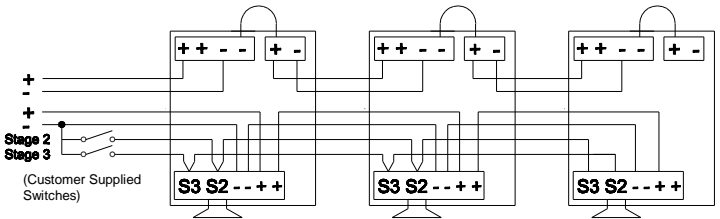


MC1LD2, Sounder & Beacon Separate (Link Wires Removed)

**DC WIRING
DIAGRAMS**

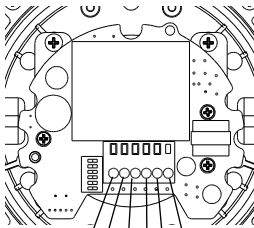


MC1X05, Sounder & Beacon Linked (Default)

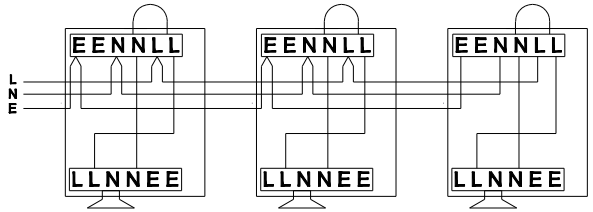


MC1X05, Sounder & Beacon Separate (Link Wires Removed)

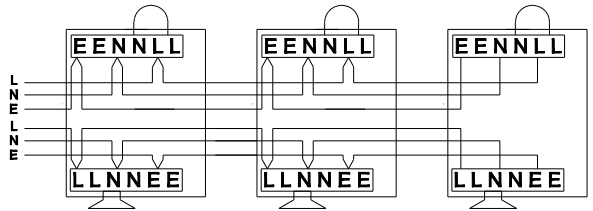
**LED BEACON
(MC1LD2 ONLY)**



E E
N L
TO SOUNDER

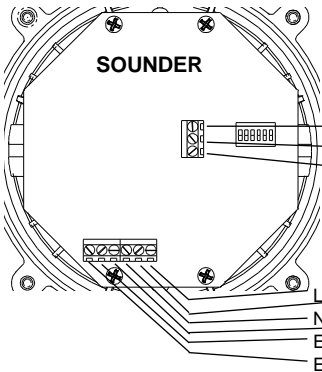


MC1LD2, Sounder & Beacon Linked (Default)



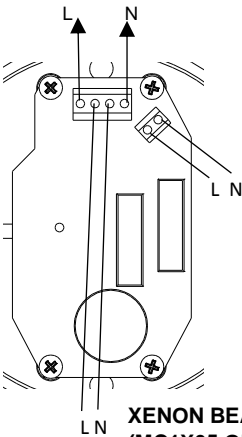
MC1LD2, Sounder & Beacon Separate (Link Wires Removed)

**AC WIRING
DIAGRAMS**

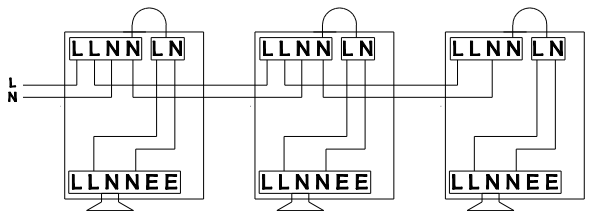


L TO LED OR
N XENON BEACON
E
E

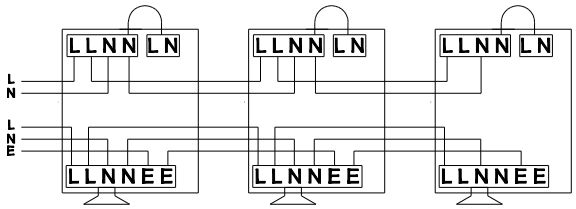
TO SOUNDER



XENON BEACON
(MC1X05 ONLY)



MC1X05, Sounder & Beacon Linked (Default)



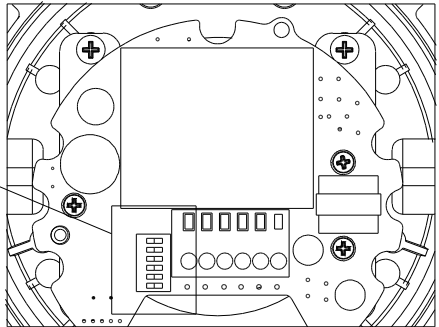
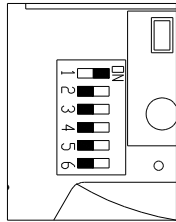
MC1X05, Sounder & Beacon Separate (Link Wires Removed)

LED Beacon Flash Mode Settings (LED MC1LD2 ONLY)

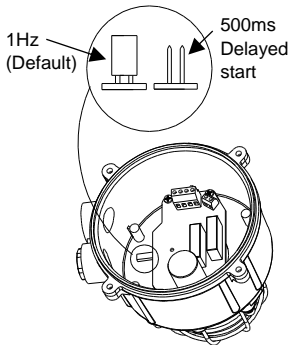
Switch

Setting (123456)	S1 Mode (DC & AC)	S2 Mode (DC Only)	S3 Mode (DC Only)
000000	Steady High Power	Flashing 1Hz	Flashing Triple Strike
000001	Steady Low Power	Flashing 1Hz	Flashing Triple Strike
100000	Flashing 1Hz	Flashing Double Strike	Flashing Triple Strike
101000	Flashing 1.5Hz	Flashing 2Hz	Flashing Double Strike
010000	Flashing 2Hz	Flashing Triple Strike	Flashing Triple Strike
110000	Flashing Double Strike	Steady High Power	Flashing Triple Strike
001000	Flashing Triple Strike	Flashing 2Hz	Flashing Double Strike

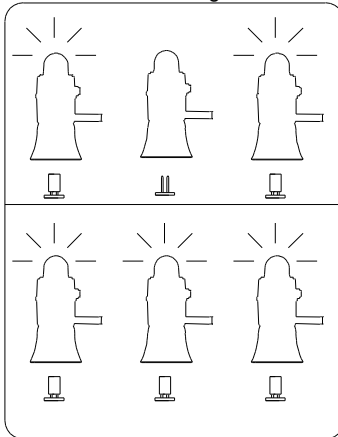
Example
shown:
100000 =
Flashing 1Hz
(Default)



Xenon Beacon Link Settings (Xenon MC1X05 ONLY)



Alternating

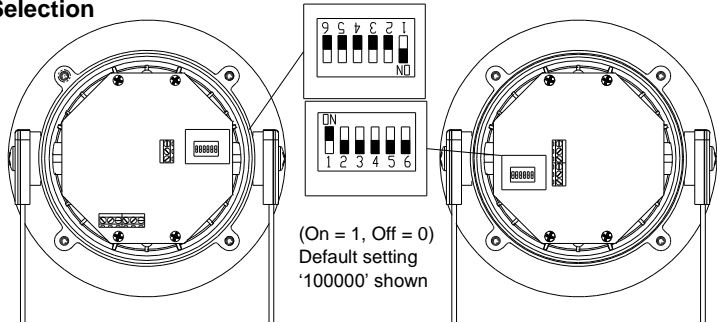


Synchronised (Default)

Sounder Tone Table – (Refer to ‘Sounder Tone Selection’ section)

Stage 1	Frequency Description	Db(A) @ 1m	Switch 1 2 3 4 5 6	Stage 2 (S2)	Stage 3 (S3)
Tone1	340Hz Continuous	107	0 0 0 0 0	Tone 2	Tone 5
Tone2	800/1000Hz @ 0.25 sec Alternating	112	1 0 0 0 0	Tone 17	Tone 5
Tone3	500/1200Hz @ 0.3Hz 0.5 sec Slow Whoop	113	0 1 0 0 0	Tone 2	Tone 5
Tone4	800/1000Hz @ 1Hz Sweeping	113	1 1 0 0 0	Tone 6	Tone 5
Tone5	2400Hz Continuous	119	0 0 1 0 0	Tone 3	Tone 20
Tone6	2400/2900Hz @ 7Hz Sweeping	116	1 0 1 0 0	Tone 7	Tone 5
Tone7	2400/2900Hz @ 1Hz Sweeping	116	0 1 1 0 0	Tone 10	Tone 5
Tone8	500/1200/500Hz @ 0.3Hz Sweeping	113	1 1 1 0 0	Tone 2	Tone 5
Tone9	1200/500Hz @ 1Hz - DIN / PFEER P.T.A.P	113	0 0 0 1 0	Tone 15	Tone 2
Tone10	2400/2900Hz @ 2Hz Alternating	119	1 0 0 1 0	Tone 7	Tone 5
Tone11	1000Hz @ 1Hz Intermittent	112	0 1 0 1 0	Tone 2	Tone 5
Tone12	800/1000Hz @ 0.875Hz Alternating	112	1 1 0 1 0	Tone 4	Tone 5
Tone13	2400Hz @ 1Hz Intermittent	119	0 0 1 1 0	Tone 15	Tone 5
Tone14	800Hz 0.25 sec on, 1 sec off Intermittent	113	1 0 1 1 0	Tone 4	Tone 5
Tone15	800Hz Continuous	113	0 1 1 1 0	Tone 2	Tone 5
Tone16	660Hz 150ms on, 150ms off Intermittent	109	1 1 1 1 0	Tone 18	Tone 5
Tone17	544Hz (100ms)/440Hz (400ms) - NF S 32-	109	0 0 0 0 1	Tone 2	Tone 27
Tone18	660Hz 1.8 sec on, 1.8 sec off Intermittent	109	1 0 0 0 1	Tone 2	Tone 5
Tone19	1.4Khz-1.6Khz 1s, 1.6Khz-1.4Khz 0.5s - NFC48-265	114	0 1 0 0 1	Tone 2	Tone 5
Tone20	660Hz Continuous	109	1 1 0 0 1	Tone 2	Tone 5
Tone21	554/440Hz @ 1Hz Alternating	109	0 0 1 0 1	Tone 2	Tone 5
Tone22	544Hz @ 0.875 sec Intermittent	109	1 0 1 0 1	Tone 2	Tone 5
Tone23	800Hz @ 2Hz Intermittent	113	0 1 1 0 1	Tone 6	Tone 5
Tone24	800/1000Hz @ 50Hz Sweeping	112	1 1 1 0 1	Tone 29	Tone 5
Tone25	2400/2900Hz @ 50Hz Sweeping	116	0 0 0 1 1	Tone 29	Tone 5
Tone26	Bell	108	1 0 0 1 1	Tone 2	Tone
Tone27	6554Hz Continuous	109	0 1 0 1 1	Tone 26	Tone 5
Tone28	440Hz Continuous	106	1 1 0 1 1	Tone 2	Tone 5
Tone29	800/1000Hz @ 7Hz Sweeping	112	0 0 1 1 1	Tone 7	Tone 5
Tone30	300Hz Continuous	107	1 0 1 1 1	Tone 2	Tone 5
Tone31	660/1200Hz @ 1Hz Sweeping	112	0 1 1 1 1	Tone 26	Tone 5
Tone32	Two Tone Chime	108	1 1 1 1 1	Tone 26	Tone 15
Tone33	745Hz @ 1Hz Intermittent	109	0 0 0 0 1	Tone 2	Tone 5
Tone34	1000 & 2000Hz @ 0.5 sec Alternating -	114	1 0 0 0 1	Tone 38	Tone 45
Tone35	420Hz @ 0.625 sec Australian Alert	108	0 1 0 0 1	Tone 36	Tone 5
Tone36	500-1200Hz 3.75 sec / 0.25 sec Australian	113	1 1 0 0 1	Tone 35	Tone 5
Tone37	1000Hz Continuous - PFEER Toxic Gas	112	0 0 1 0 1	Tone 9	Tone 45
Tone38	2000Hz Continuous	116	1 0 1 0 1	Tone 34	Tone 45
Tone39	800Hz 0.25 sec on, 1 sec off Intermittent	113	0 1 1 0 1	Tone 23	Tone 17
Tone40	544Hz (100ms)/440Hz (400ms) - NF S 32-	112	1 1 1 0 1	Tone 31	Tone 27
Tone41	Motor Siren - Slow Rise to 1200Hz	113	0 0 0 1 0	Tone 2	Tone 5
Tone42	Motor Siren - Slow Rise to 800Hz	114	1 0 0 1 0	Tone 2	Tone 5
Tone43	1200Hz Continuous	113	0 1 0 1 0	Tone 2	Tone 5
Tone44	Motor Siren - Slow Rise to 2400Hz	118	1 1 0 1 0	Tone 2	Tone 5
Tone45	1KHz 1s on, 1s off Intermittent - PFEER	112	0 0 1 1 0	Tone 38	Tone 34

Sounder Tone Selection

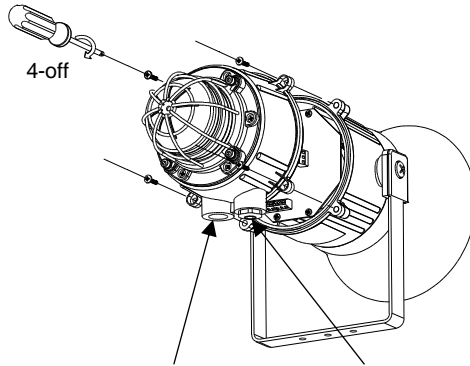


Stage selection (DC Sounders & DC LED Beacon Only):

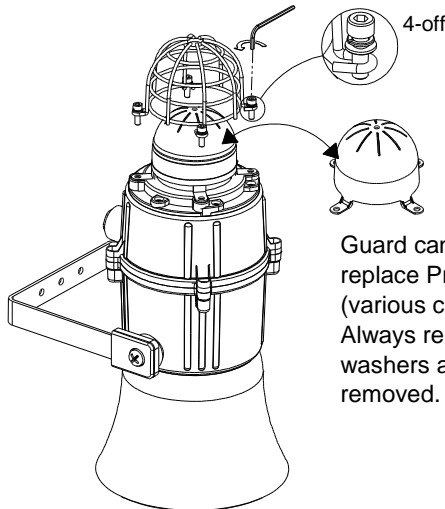
Stage one (S1) Operation	Stage two (S2) Operation	Stage three (S3) Operation
Simply connect the supply voltage to the + and - supply terminals,	Power +ve and -ve, link a -ve supply line to the S2 terminal.	Power +ve and -ve, link a -ve supply line to the S3 terminal.

Stage selection (AC Sounder Only):

Stage one (S1) Operation	Stage two (S2) Operation	Stage three (S3) Operation
Simply connect the supply voltage to the + and - supply terminals,	Power +ve and -ve, link a -ve supply line to the S2 terminal.	Power +ve and -ve, link a -ve supply line to the S3 terminal.



Order code	Entry Type	Entry Type	Stopping Plugs Provided
MC1X05FAC230[A]	M20	½" NPT	1-off M20 & 1-off ½" NPT
MC1X05FAC230[B]	M20	M20	1-off M20 only
MC1X05FAC230[C]	½" NPT	½" NPT	1-off ½" NPT only



Guard can be removed to replace Prismatic lens, (various colours available). Always replace screws and washers as they were removed.