

# A

## SPECTRA

Trumpet Horn  
 IP Rating: IP65  
 Temp: -25°C to +50°C  
 Unit weight: 148g  
 CE

Order code Voltage  
 H100T030G 10-30V AC/DC  
 • 12V dc 10mA  
 • 24V dc 24mA  
 • 12V ac 50/60Hz 30mA  
 • 24V ac 50Hz 62mA

H100T230G 40-260V AC/DC  
 • 48V dc 15mA  
 • 48V ac 50/60Hz 25mA  
 • 115V dc 6mA  
 • 230V dc 3mA  
 • 115V ac 50/60Hz 19mA  
 • 230V ac 50/60Hz 10mA

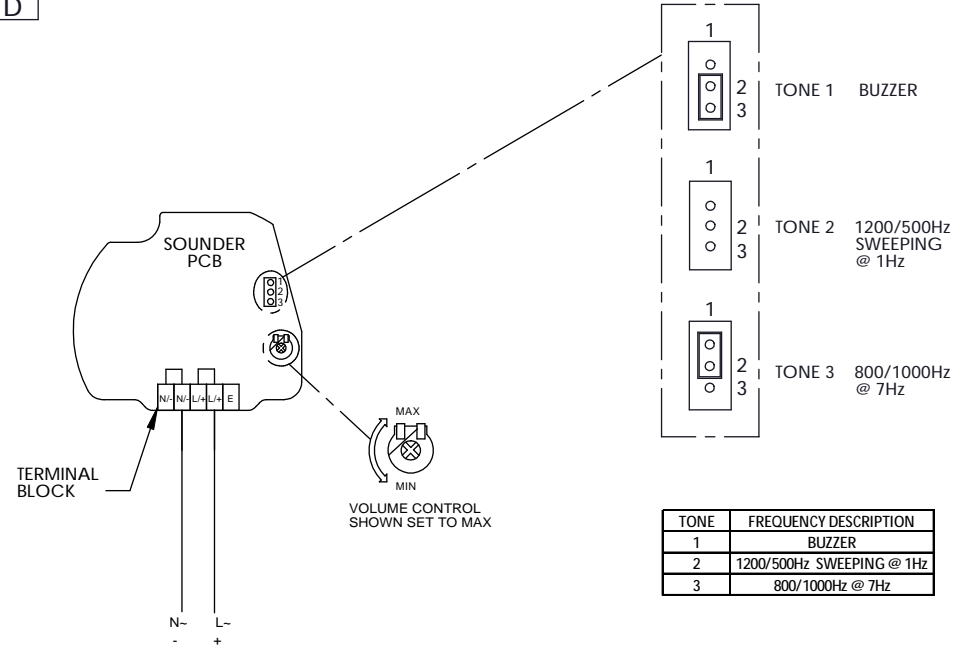
## H100 T

Dimensions : 94.2 x 177.5mm  
 1.5mm<sup>2</sup> terminals  
 Cable entry: 1 x 5-7mm push  
 through grommet

Tel: +44 (0)2 8743 8880 Fax: +44 (0)20 8740 4200  
 mail: [sales@e2s.com](mailto:sales@e2s.com) web: [www.e2s.com](http://www.e2s.com)



# D



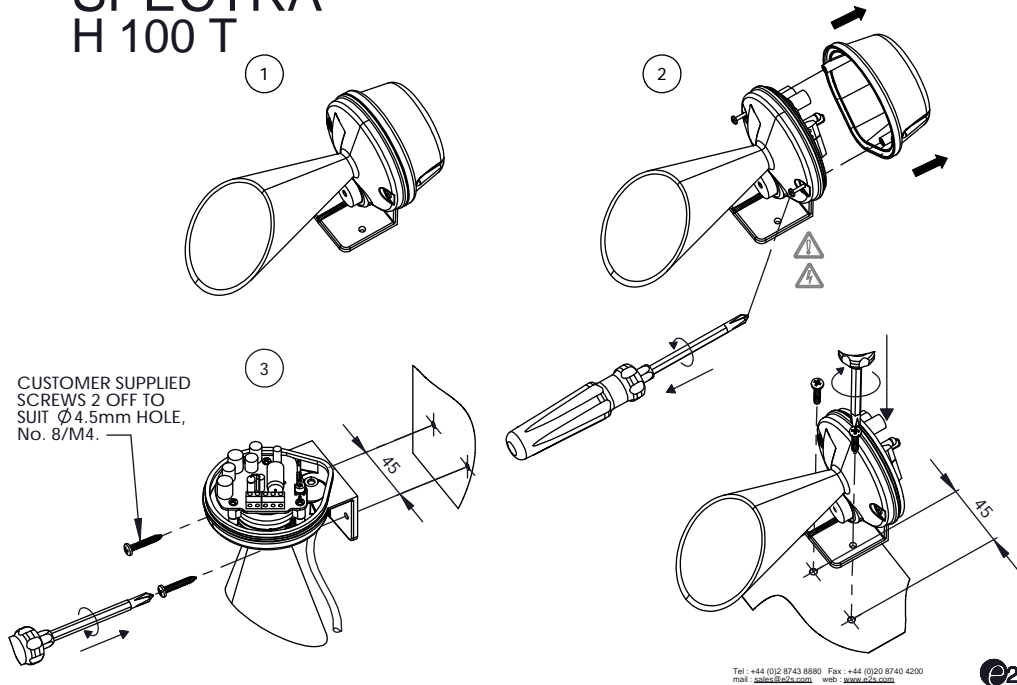
# B

- ATTENTION:** Installation must be carried out by an electrician in compliance with the latest codes and regulations.
- ATTENTION:** Disconnect from power source before installation or service to prevent electric shock.

# C

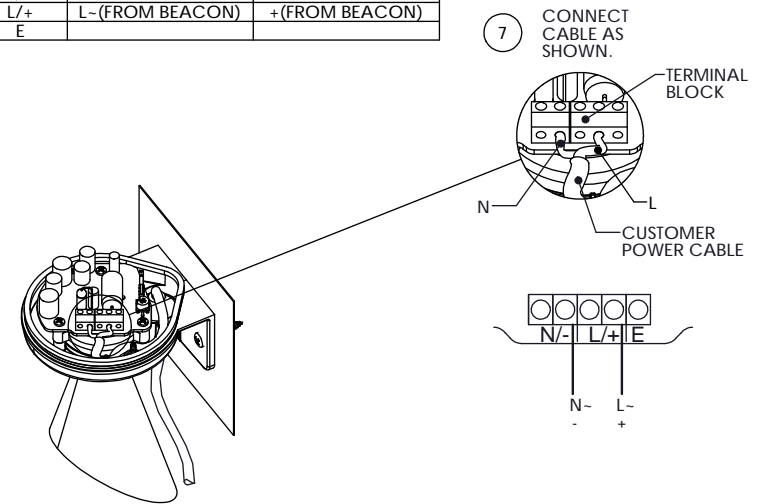


# A SPECTRA H 100 T

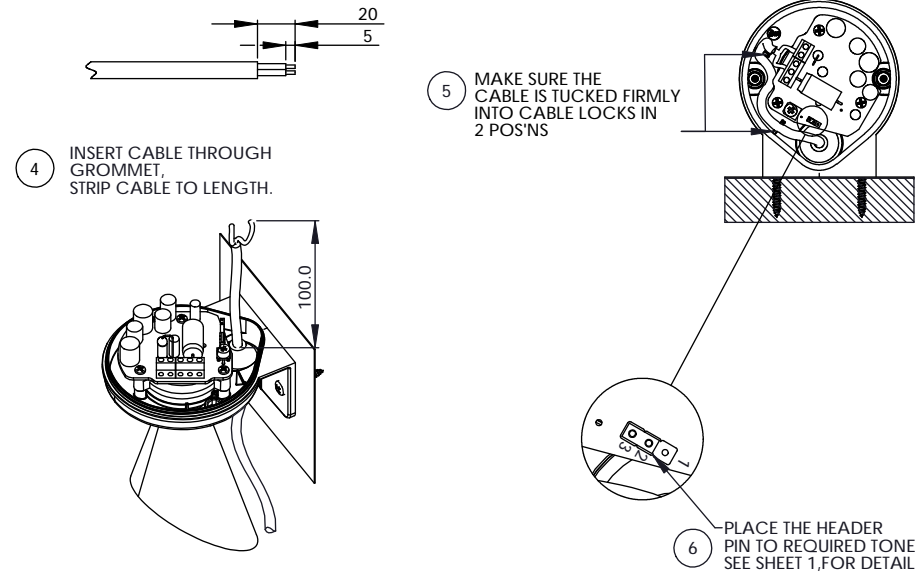


# C

TERMINAL BLOCK	A/C INPUT	D/C INPUT
N/-	N-	-
N/-	N-(FROM BEACON)	-(FROM BEACON)
L/+	L-	+
L/+	L-(FROM BEACON)	+(FROM BEACON)
E		



# B



# D

