

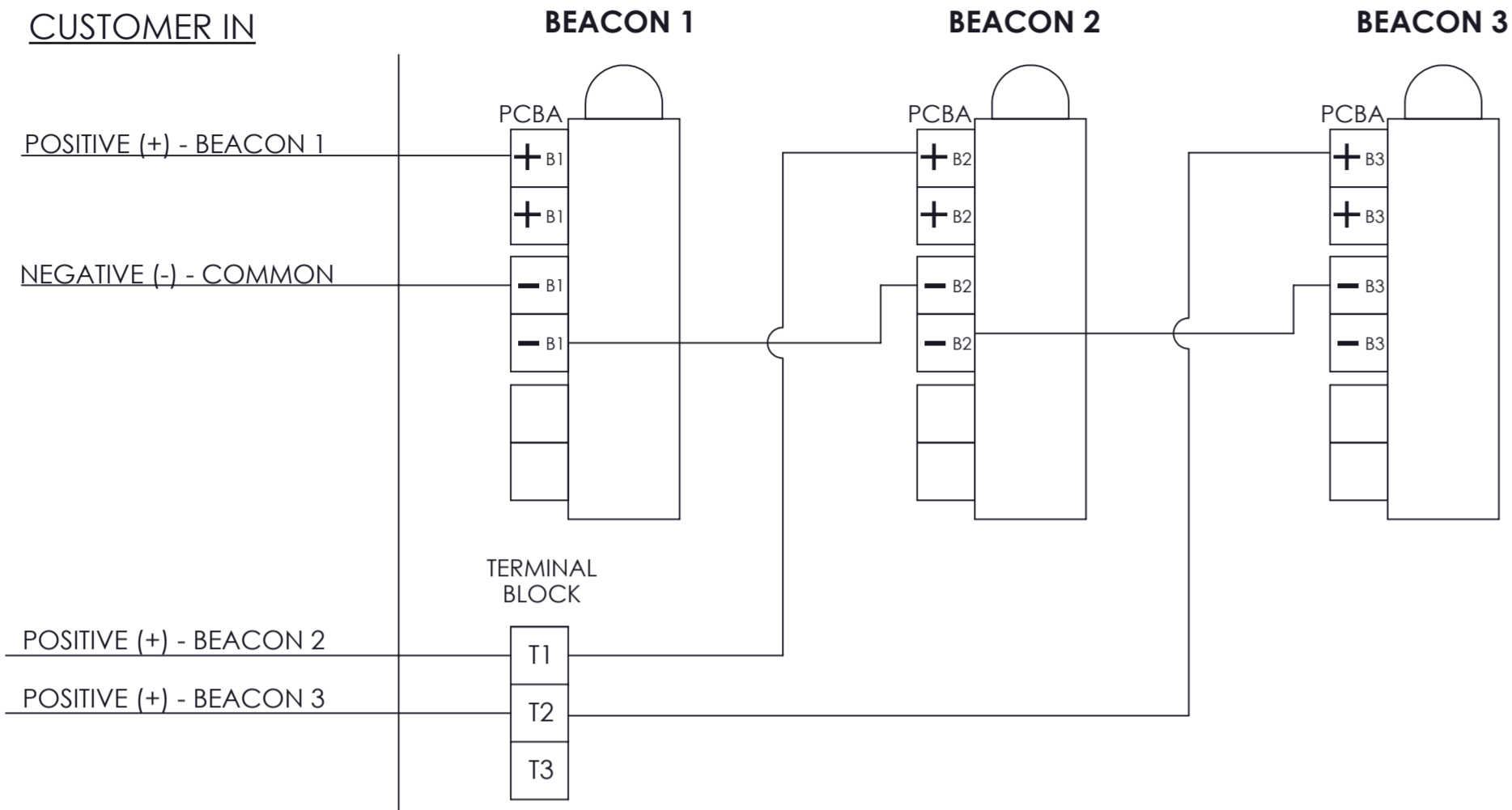
E2S PART NO  
GNExP1[N2][1x][1x][1x]

DESCRIPTION  
GNEx B1 PLATED - 3 WAY BEACON STACK

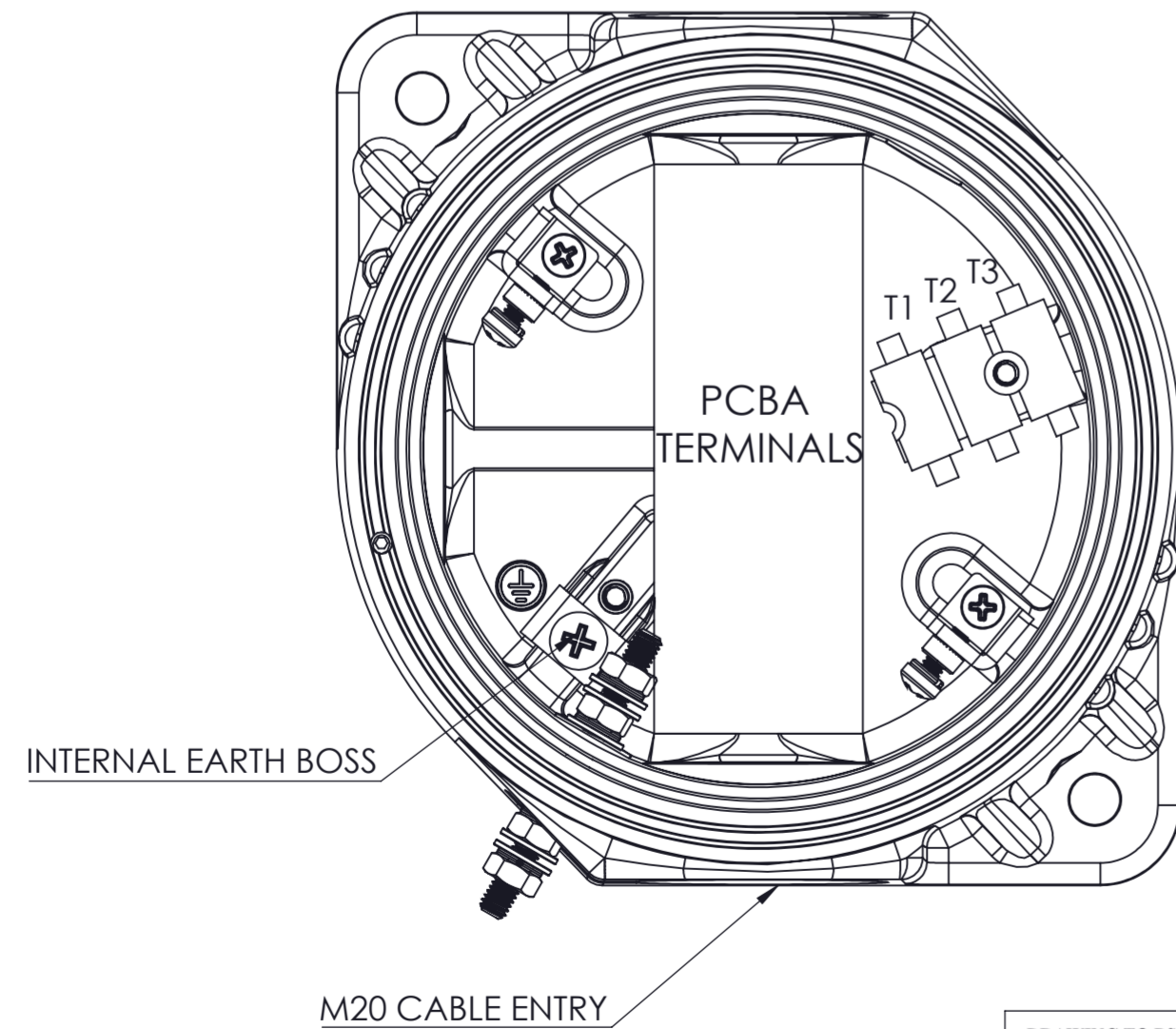
DATA REFERENCE  
1-26-010

ISSUE	MOD No.	REASON - INITIAL - DATE
A		Introducion J.SPILLER - 28/08/19

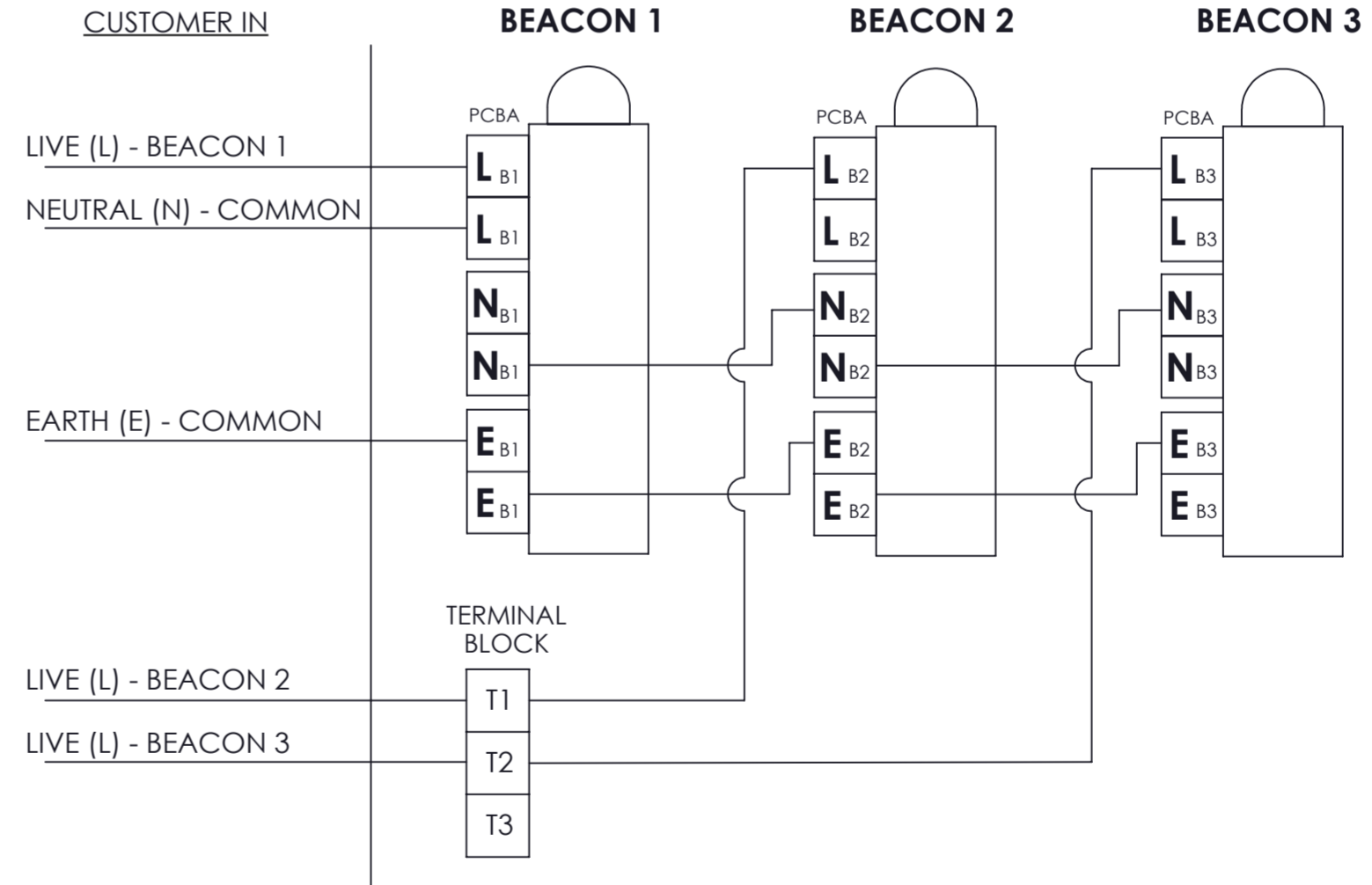
### DC BLOCK DIAGRAM



### JUNCTION BOX INTERNALS



### AC BLOCK DIAGRAM



DRAWING TO BS8888:2000 GEOMETRIC TOLERANCES TO ISO1101:1983 LINEAR DIMENSIONAL TOLS ANGULAR DIMENSIONAL TOLS	DRAWN J.SPILLER DATE 28/08/19	SURFACE FINISH FINISH	WEIGHT (Kg)
STANDARDS GNEx	CHECKED R.N.POTTS DATE 28/08/19	MATERIAL	
	APPROVED R.N.POTTS DATE 28/08/19	ALTERNATIVE MATERIAL	

THIS DRAWING AND ANY INFORMATION OR DESCRIPTIVE MATTER THEREIN IS COMMUNICATED IN CONFIDENCE AND IS THE COPYRIGHT PROPERTY OF EUROPEAN SAFETY SYSTEMS LTD. NEITHER THE WHOLE OR ANY EXTRACT MAY BE DISCLOSED, LOANED, COPIED OR USED FOR MANUFACTURING OR TENDERING PURPOSES WITHOUT THEIR WRITTEN CONSENT.	EUROPEAN SAFETY SYSTEMS LTD. AS PER LATEST DATE OF ISSUE SHOWN ABOVE
---	---

 EUROPEAN SAFETY SYSTEMS LTD IMPRESS HOUSE MANSELL ROAD ACTON LONDON W3 7QH WWW.E2S.COM	ALL DIMENSIONS IN MM IF IN DOUBT, ASK - DO NOT SCALE	 A2
TITLE GNExP1 - 3 WAY BEACON STACK WIRING SCHEMATIC	SCALE 1:2	SHEET 1 OF 1
DRAWING NUMBER D208-06-130		