

E2S PART NO
GNExP1[1x][1x][1x]

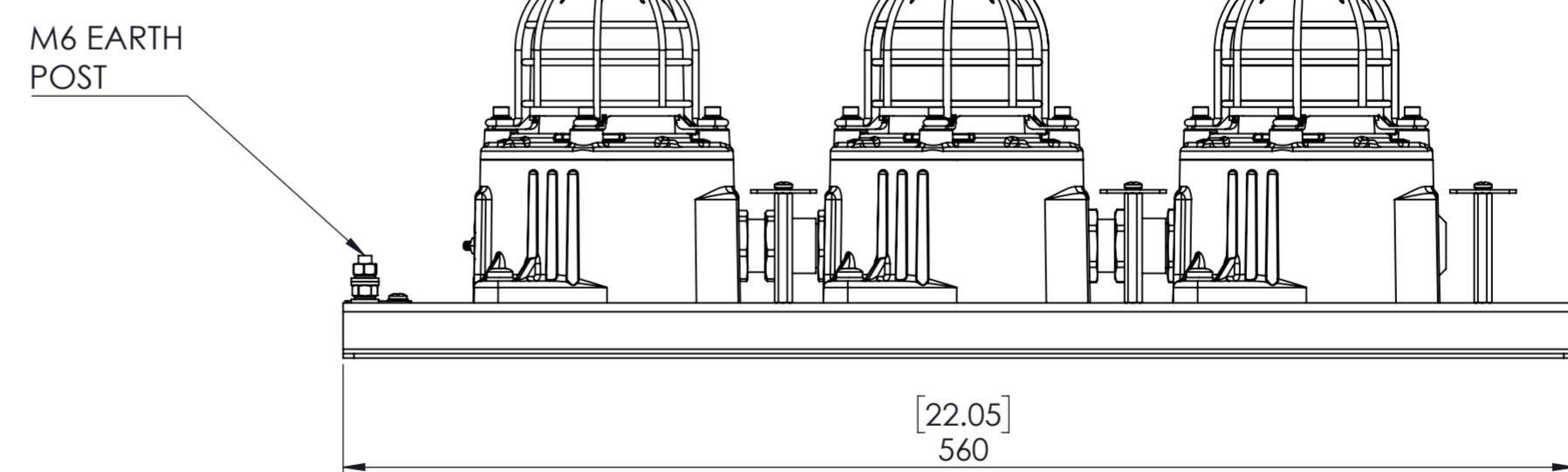
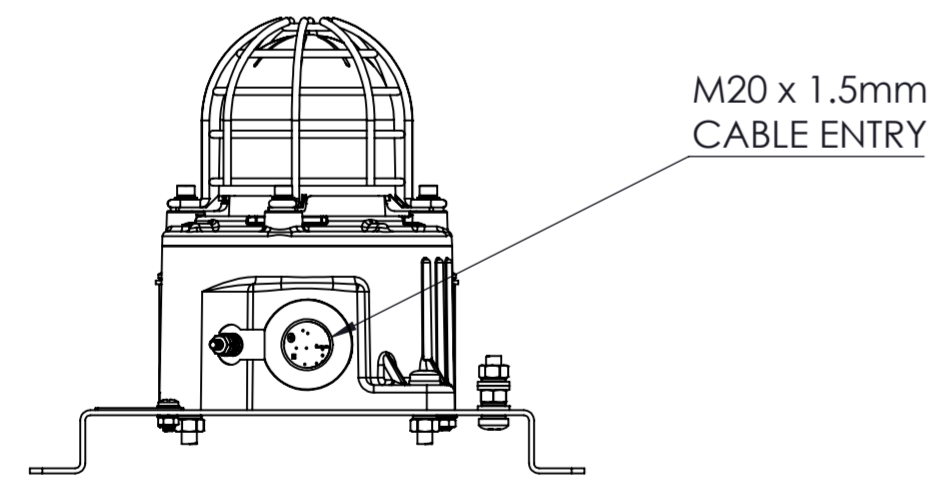
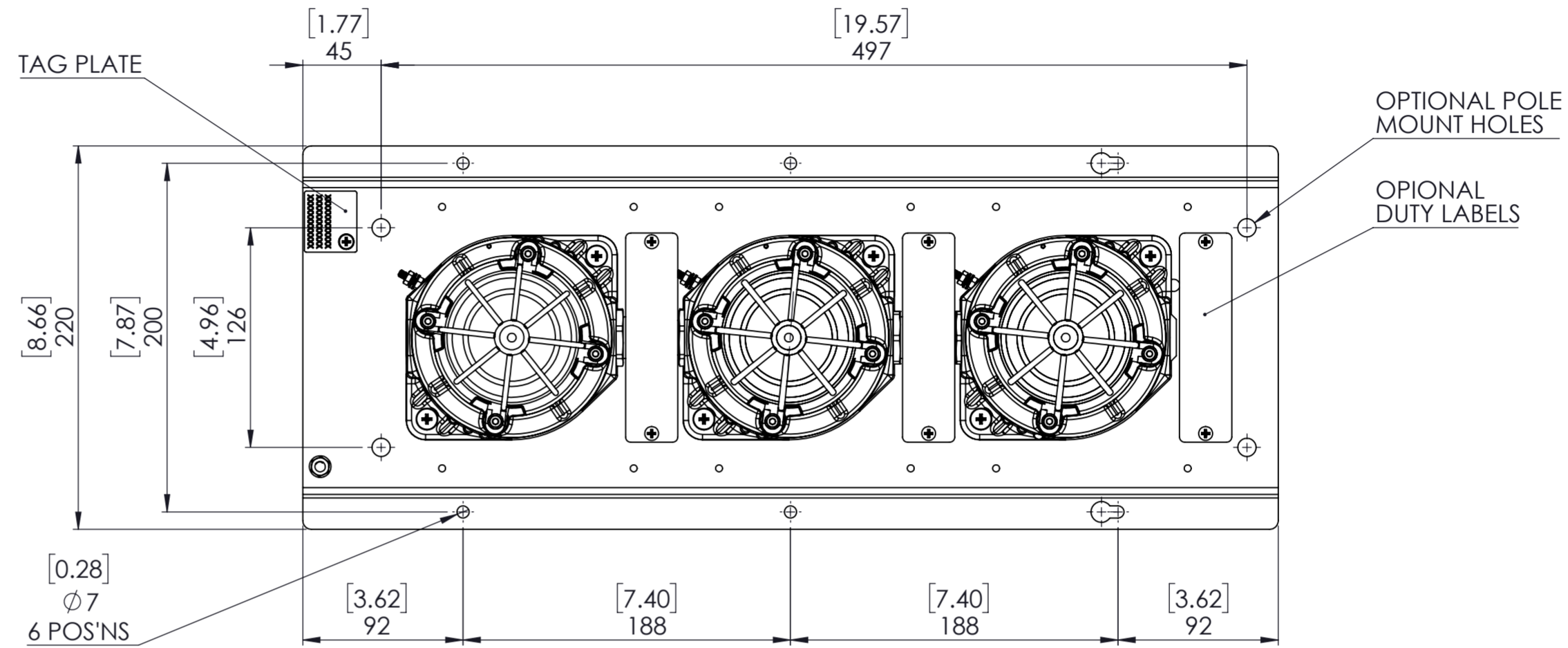
BEACON 1
BEACON 2
BEACON 3

DESCRIPTION
GNEx B1 PLATED - 3 WAY BEACON STACK

DATA REFERENCE
1-26-010

ISSUE	MOD No.	REASON - INITIAL - DATE
A		Introducion M.VYAS - 11/07/17
B		PLATE UPDATED J.SPILLER - 13/08/19

STANDARD FLARE
CONFIGURATION



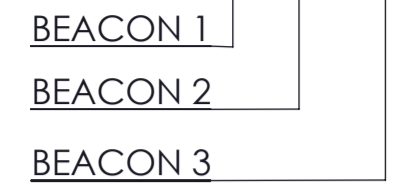
DIMENSIONS IN MM & [INCHES]

DRAWING TO BS8888:2000 GEOMETRIC TOLERANCES TO ISO1101:1983 LINEAR DIMENSIONAL TOLS ANGULAR DIMENSIONAL TOLS	DRAWN	DATE	SURFACE FINISH FINISH	WEIGHT (kg)	THIS DRAWING AND ANY INFORMATION OR DESCRIPTIVE MATTER THEREIN IS COMMUNICATED IN CONFIDENCE AND IS THE COPYRIGHT PROPERTY OF EUROPEAN SAFETY SYSTEMS LTD. NEITHER THE WHOLE OR ANY EXTRACT MAY BE DISCLOSED, LOANED, COPIED OR USED FOR MANUFACTURING OR TENDERING PURPOSES WITHOUT THEIR WRITTEN CONSENT.	 EUROPEAN SAFETY SYSTEMS LTD IMPRESS HOUSE MANSELL ROAD ACTON LONDON W3 7QH WWW.E2S.COM	ALL DIMENSIONS IN MM IF IN DOUBT, ASK - DO NOT SCALE			A2
	CHECKED	DATE					TITLE GNExP1 - 3 WAY BEACON STACK OUTLINE DRAWING			
	STANDARDS PRODUCT REF	APPROVED	DATE	ALTERNATIVE MATERIAL			EUROPEAN SAFETY SYSTEMS LTD. AS PER LATEST DATE OF ISSUE SHOWN ABOVE	SCALE 1:3	SHEET 1 OF 2	DRAWING NUMBER D208-05-130

E2S PART NO
GNExP1[1x][1x][1x]

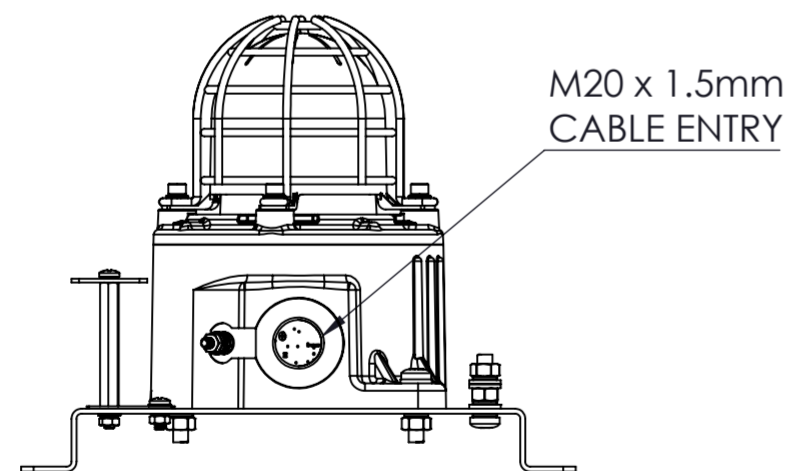
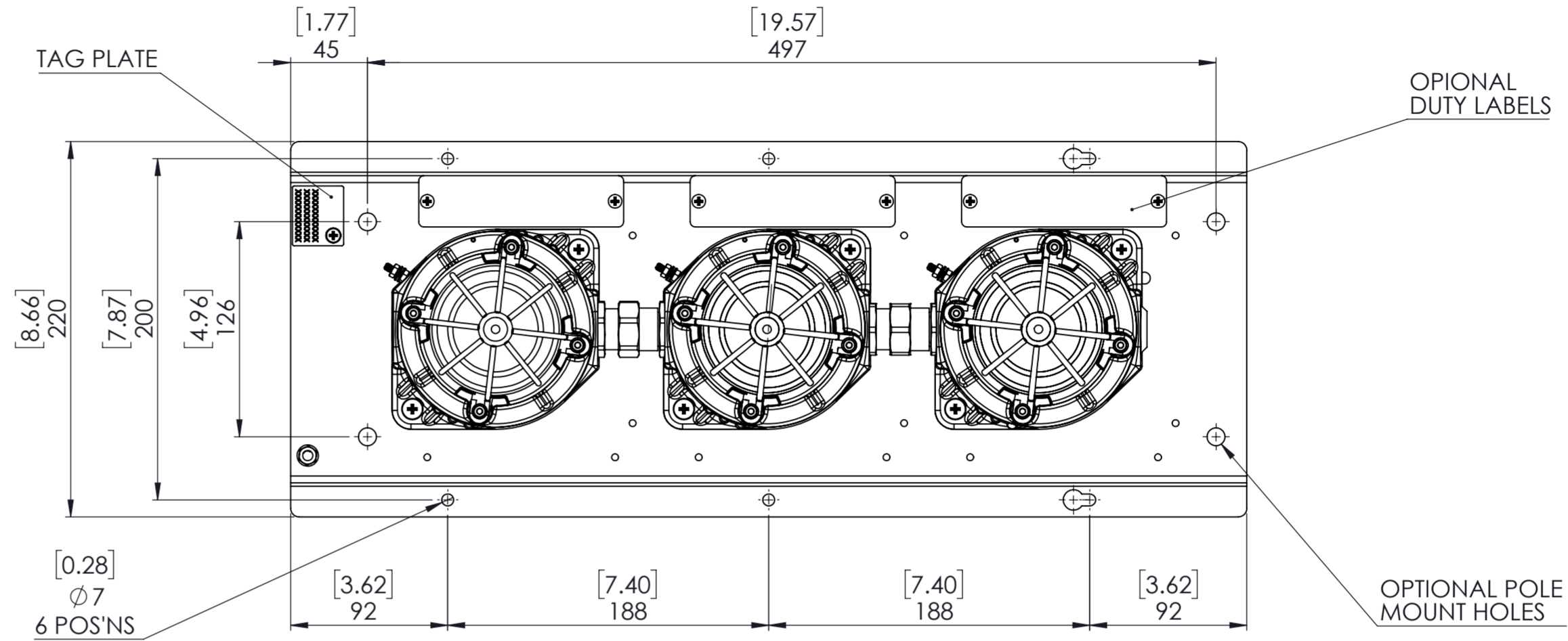
DESCRIPTION
GNEx B1 PLATED - 3 WAY BEACON STACK

DATA REFERENCE
1-26-010

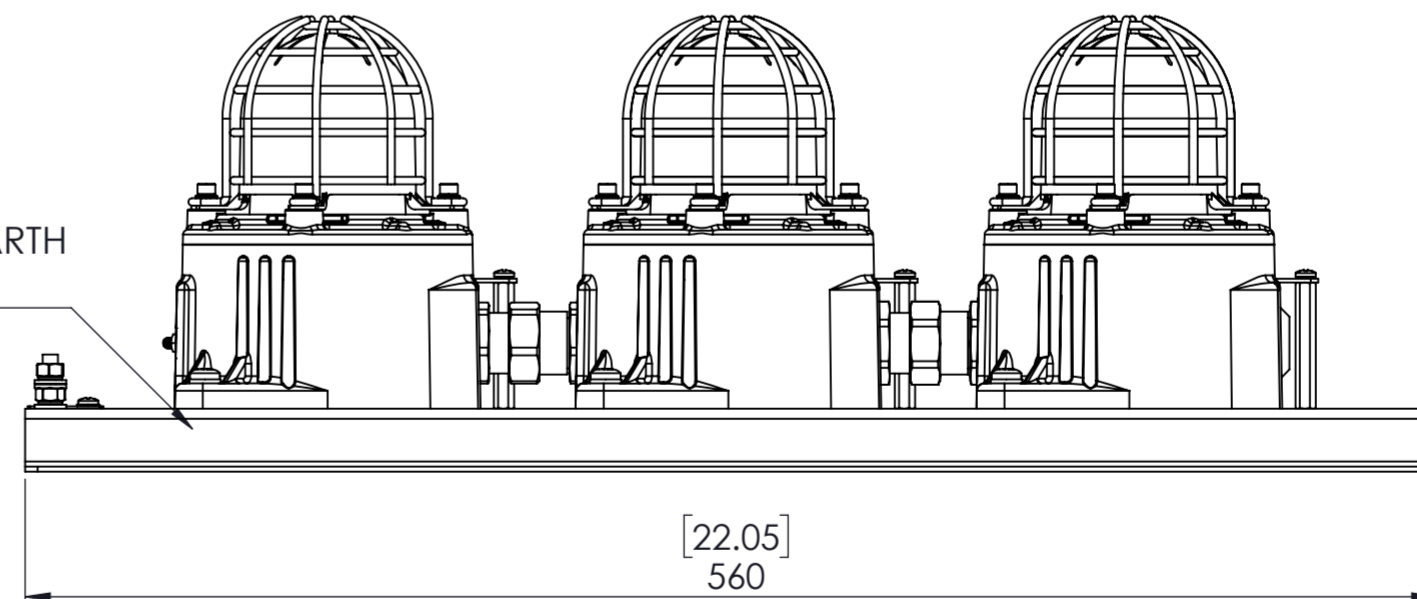


ALTERNATIVE HORIZONTAL CONFIGURATION

CUSTOMER CAN SPECIFY HORIZONTAL CONFIGURATION ON WORK ORDER OR CAN CHANGE CONFIGURATIONS AS PER OUTLINED IN INSTRUCTION MANUAL



M6 EARTH POST



ISSUE	MOD No.	REASON - INITIAL - DATE
A		Introducion M.VYAS - 11/07/17
B		PLATE UPDATED J.SPILLER - 13/08/19

DIMENSIONS IN MM & [INCHES]

DRAWING TO BS8888:2000 GEOMETRIC TOLERANCES TO ISO1101:1983 LINEAR DIMENSIONAL TOLS ANGULAR DIMENSIONAL TOLS	DRAWN M.VYAS	DATE 11/07/17	SURFACE FINISH FINISH	WEIGHT (kg)	THIS DRAWING AND ANY INFORMATION OR DESCRIPTIVE MATTER THEREIN IS COMMUNICATED IN CONFIDENCE AND IS THE COPYRIGHT PROPERTY OF EUROPEAN SAFETY SYSTEMS LTD. NEITHER THE WHOLE OR ANY EXTRACT MAY BE DISCLOSED, LOANED, COPIED OR USED FOR MANUFACTURING OR TENDERING PURPOSES WITHOUT THEIR WRITTEN CONSENT.	 EUROPEAN SAFETY SYSTEMS LTD IMPRESS HOUSE MANSELL ROAD ACTON LONDON W3 7QH WWW.E2S.COM	ALL DIMENSIONS IN MM IF IN DOUBT, ASK - DO NOT SCALE			A2
	CHECKED R.N.POTTS	DATE 11/07/17					MATERIAL	TITLE GNExP1 - 3 WAY BEACON STACK OUTLINE DRAWING		
	STANDARDS PRODUCT REF	APPROVED R.N.POTTS	DATE 11/07/17	ALTERNATIVE MATERIAL			SCALE 1:3	SHEET 2 OF 2	DRAWING NUMBER D208-05-130	

© EUROPEAN SAFETY SYSTEMS LTD.
AS PER LATEST DATE OF ISSUE SHOWN ABOVE