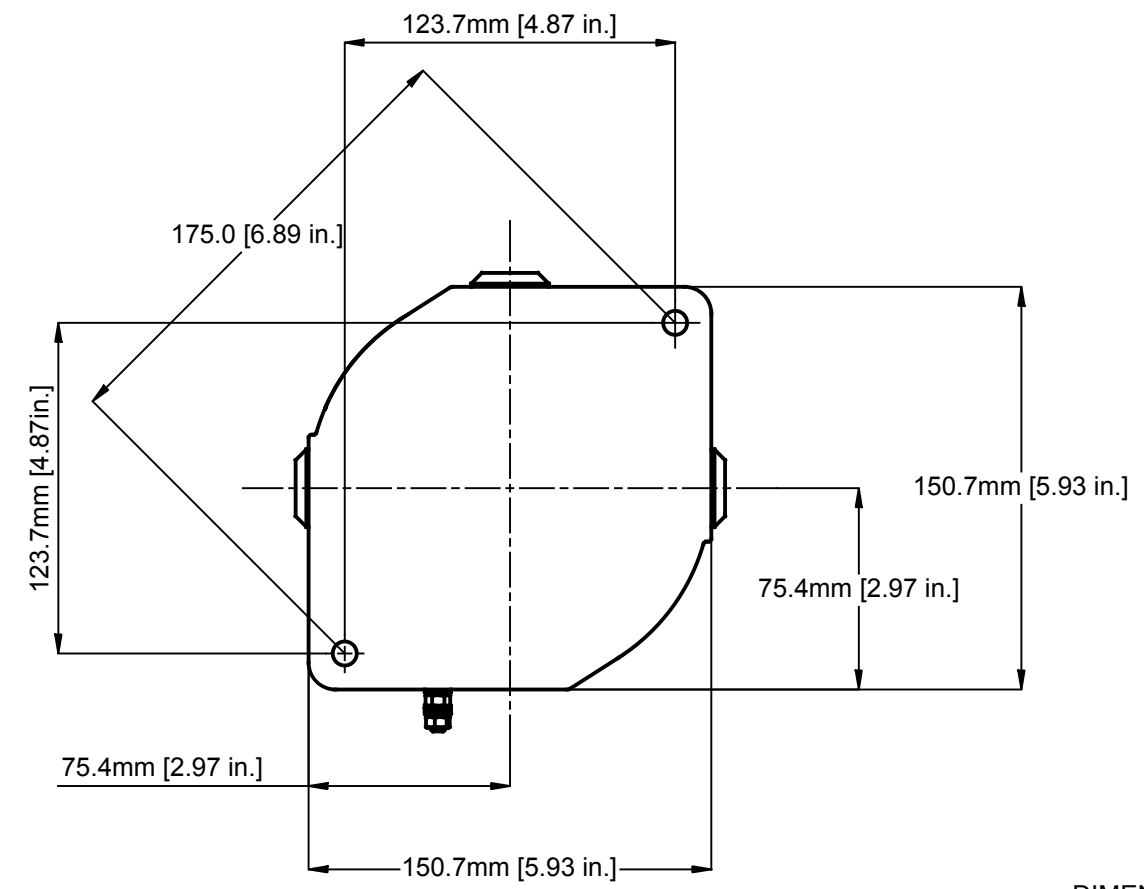
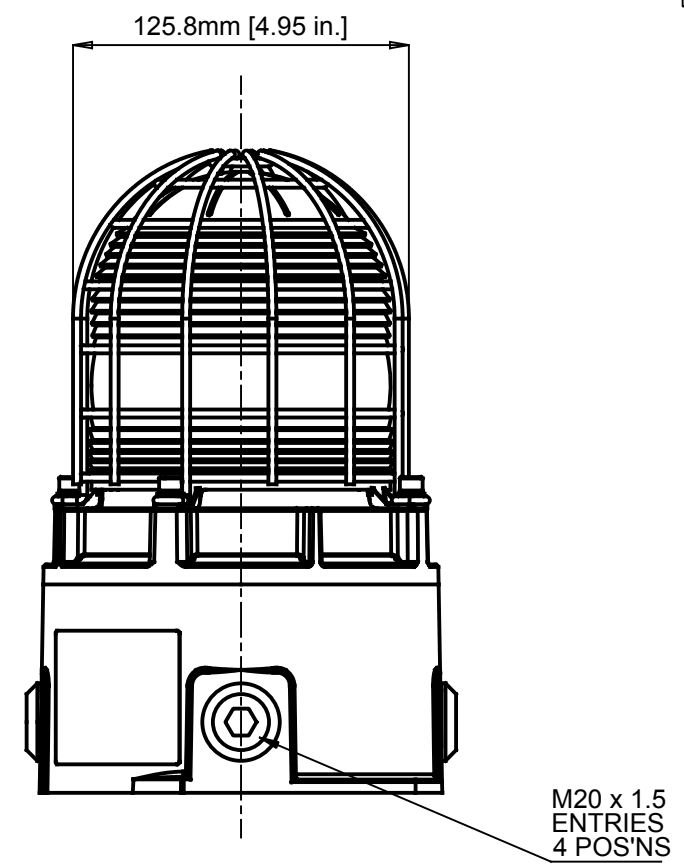
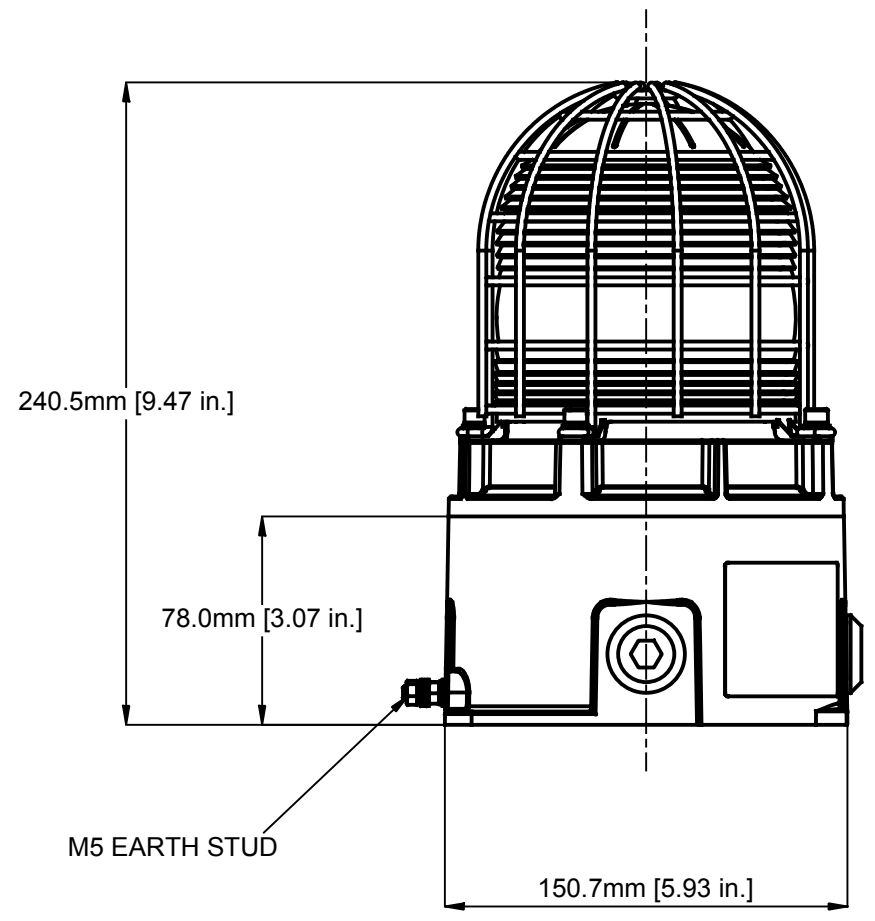


ISSUE	MOD No.	REASON - INITIAL - DATE
A		INTRODUCTION OF PART MV 18-06-15



E2S PART NO.	DESCRIPTION	DATA REFERENCE
STExB2X10...	STExB2 10J XENON STROBE BEACON (Ex d VERSION)	1-21-170
STExB2X15...	STExB2 15J XENON STROBE BEACON (Ex d VERSION)	1-21-172
STExB2X21...	STExB2 21J XENON STROBE BEACON (Ex d VERSION)	1-21-174
STExB2RT1...	STExB2 RT1 ROTATING BEACON (Ex d VERSION)	1-21-180
STExB2LD2...	STExB2LD2 LED BEACON (Ex d VERSION)	1-21-160

DIMENSIONS IN MM & [INCHES]

DRAWING TO BS8888:2000 GEOMETRIC TOLERANCES TO ISO1101:1983 LINEAR DIMENSIONAL TOLS ANGULAR DIMENSIONAL TOLS	DRAWN	DATE	SURFACE FINISH	WEIGHT (Kg)	THIS DRAWING AND ANY INFORMATION OR DESCRIPTIVE MATTER THEREIN IS COMMUNICATED IN CONFIDENCE AND IS THE COPYRIGHT PROPERTY OF EUROPEAN SAFETY SYSTEMS LTD. NEITHER THE WHOLE OR ANY EXTRACT MAY BE DISCLOSED, LOANED, COPIED OR USED FOR MANUFACTURING OR TENDERING PURPOSES WITHOUT THEIR WRITTEN CONSENT.	 EUROPEAN SAFETY SYSTEMS LTD. IMPRESS HOUSE MANSELL ROAD ACTON LONDON W3 7QH WWW.E2S.COM	ALL DIMENSIONS IN MM IF IN DOUBT, ASK - DO NOT SCALE		A2
	CHECKED	DATE					MATERIAL		
	STANDARDS	APPROVED	DATE	ALTERNATIVE MATERIAL			AS PER LATEST DATE OF ISSUE SHOWN ABOVE		SCALE 1:2 SHEET 1 OF 1 DRAWING NUMBER SK0392
STEx	M.VYAS	15-06-15					STExB2 Ex d RANGE - BEACON OUTLINE		