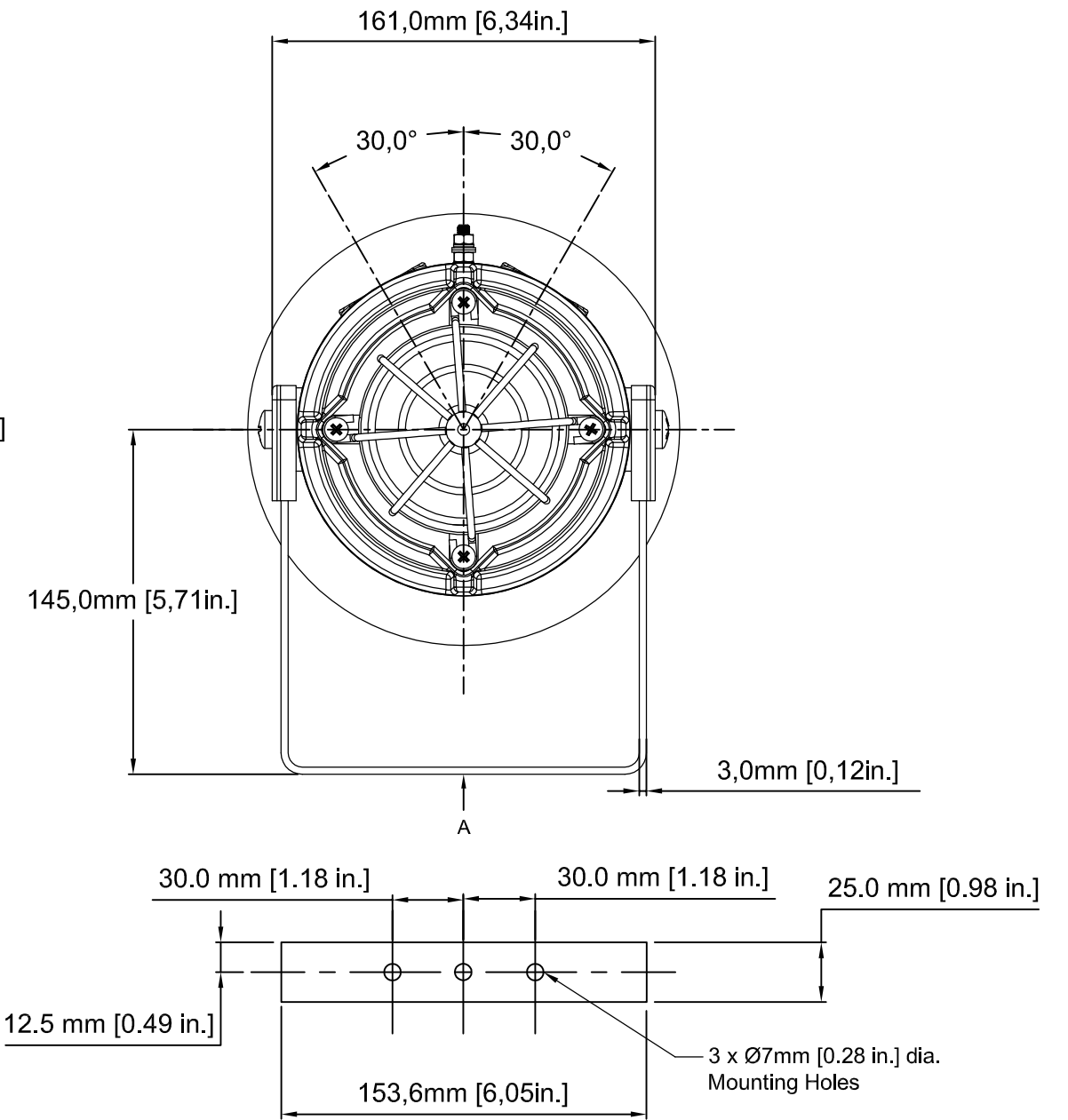
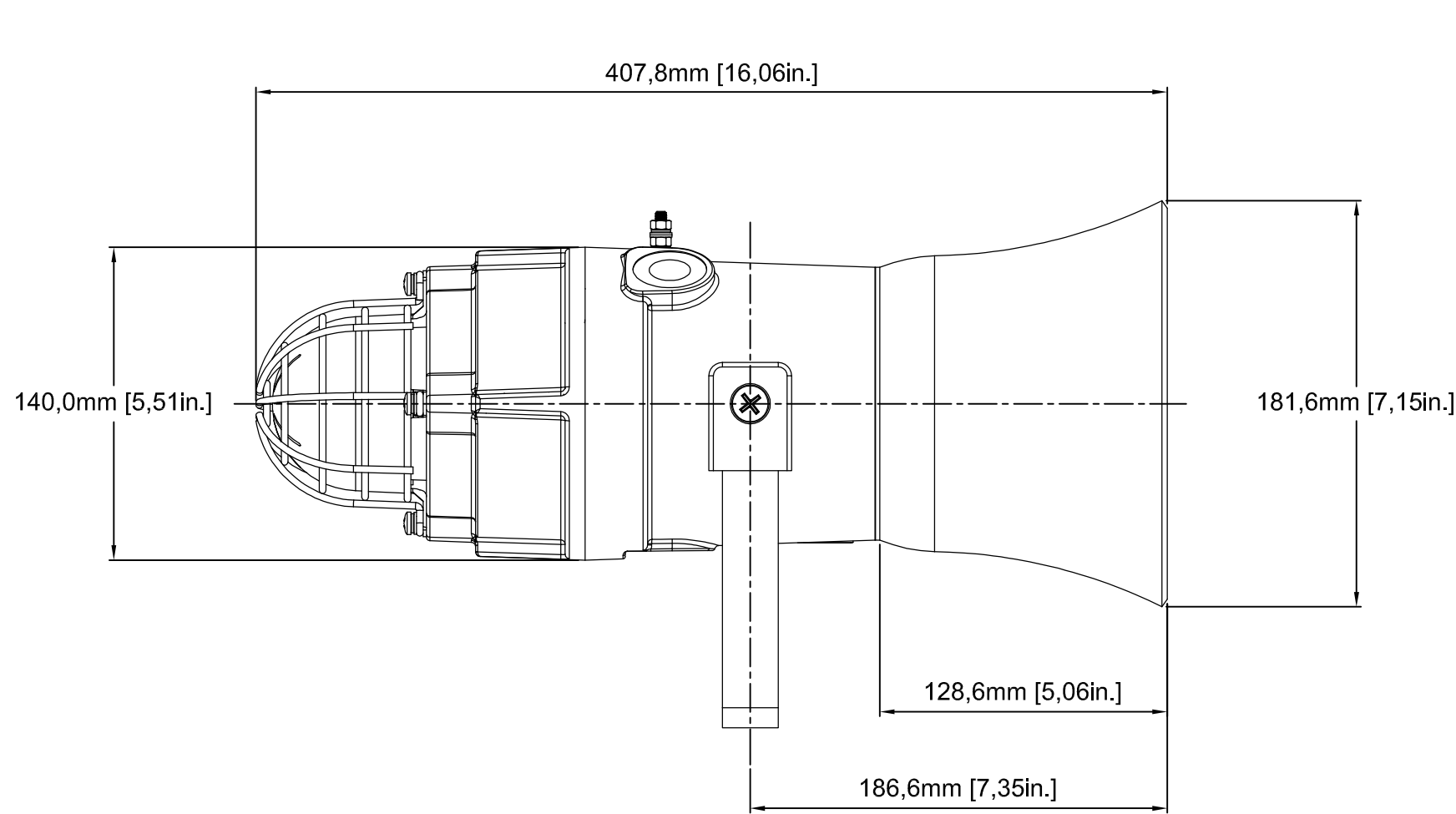


ISSUE	MOD No.	INITIAL/DATE
A		INTRODUCTION OF PART RSR 09-04-15
B		SKU NO.S AMENDED RSR 03-06-15



E2S PART NO.	DESCRIPTION	DATA REFERENCE
D1xC1X05F	D1xC1X05F COMBINED 5J BEACON AND S1 SOUNDER (Ex d VERSION)	1.23.050
D1xC1X10F	D1XC1X10F COMBINED 10J BEACON AND S1 SOUNDER (Ex d VERSION)	1.23.060

DRAWING TO BS8888:2000 GEOMETRIC TOLERANCES TO ISO1101:1983 LINEAR DIMENSIONAL TOLS ANGULAR DIMENSIONAL TOLS	
STANDARDS	D1x

DRAWN	R. S. RAIT	DATE	09-04-15
CHECKED	B. ISARD	DATE	09-04-15
APPROVED	R. N. POTTS	DATE	09-04-15

SURFACE FINISH	WEIGHT (Kg)
MATERIAL	
ALTERNATIVE MATERIAL	

THIS DRAWING AND ANY INFORMATION OR DESCRIPTIVE MATTER THEREIN IS COMMUNICATED IN CONFIDENCE AND IS THE COPYRIGHT PROPERTY OF EUROPEAN SAFETY SYSTEMS LTD. NEITHER THE WHOLE OR ANY EXTRACT MAY BE DISCLOSED, LOANED, COPIED OR USED FOR MANUFACTURING OR TENDERING PURPOSES WITHOUT THEIR WRITTEN CONSENT.

© EUROPEAN SAFETY SYSTEMS LTD.
AS PER LATEST DATE OF ISSUE SHOWN ABOVE

EUROPEAN SAFETY SYSTEMS LTD
IMPRESS HOUSE
MANSELL ROAD
ACTON
LONDON W3 7QH
WWW.E2S.COM

ALL DIMENSIONS IN MM IF IN DOUBT, ASK - DO NOT SCALE		A2	
TITLE D1xC1 Ex d RANGE - SOUNDER OUTLINE			
SCALE	SHEET	DRAWING NUMBER	
1:2	1 OF 1	SK0361	