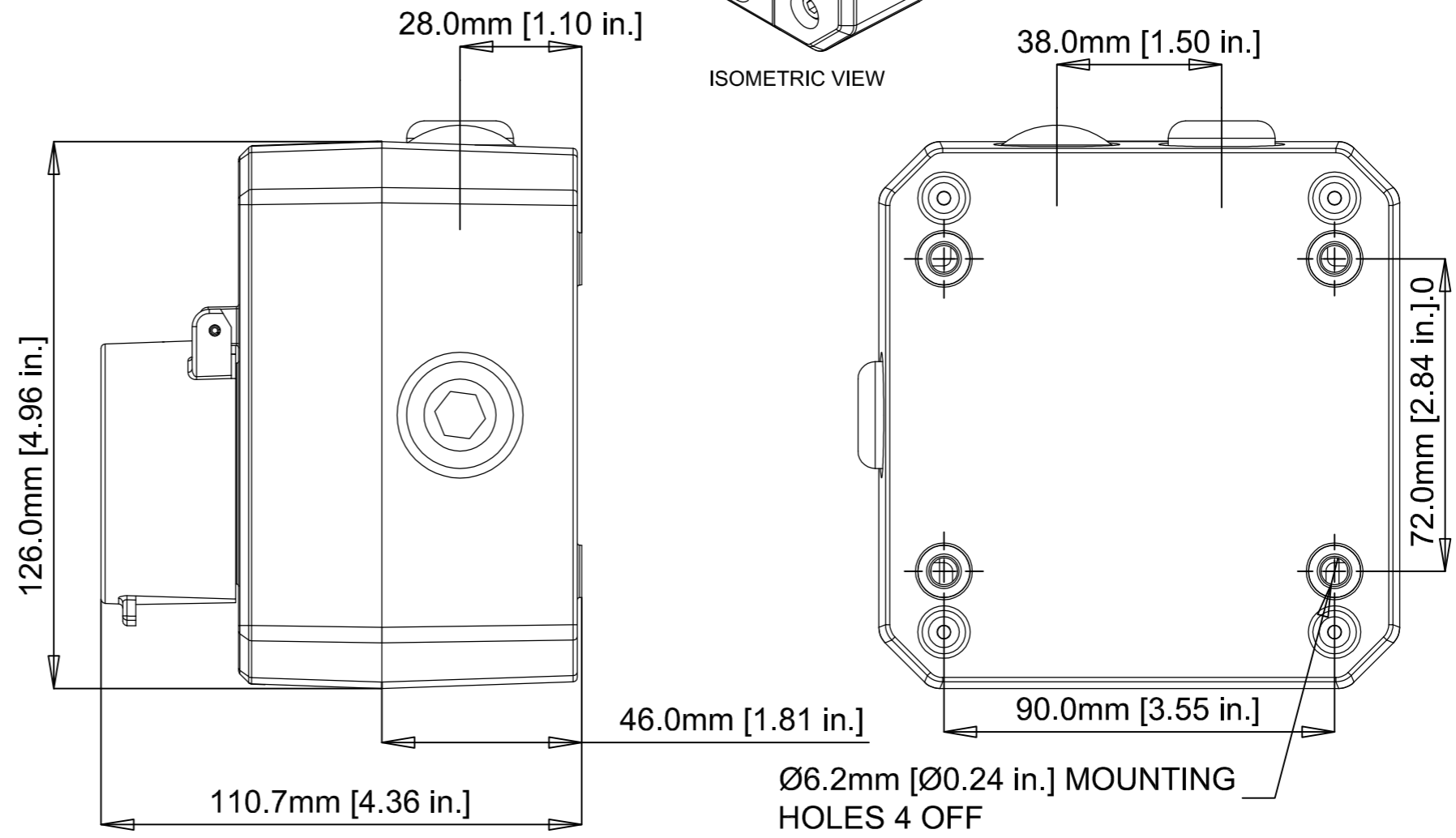
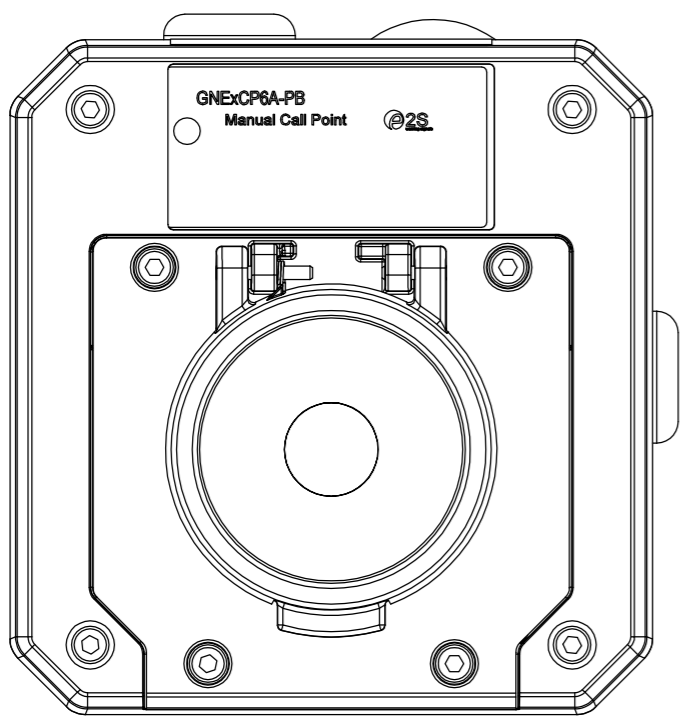
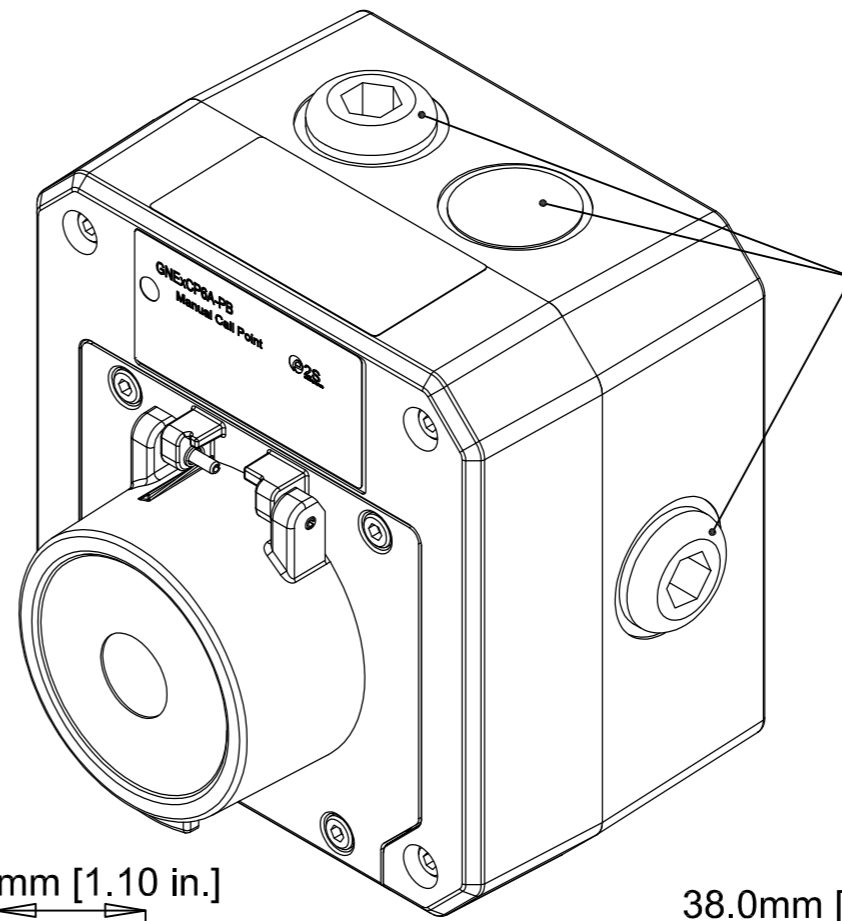
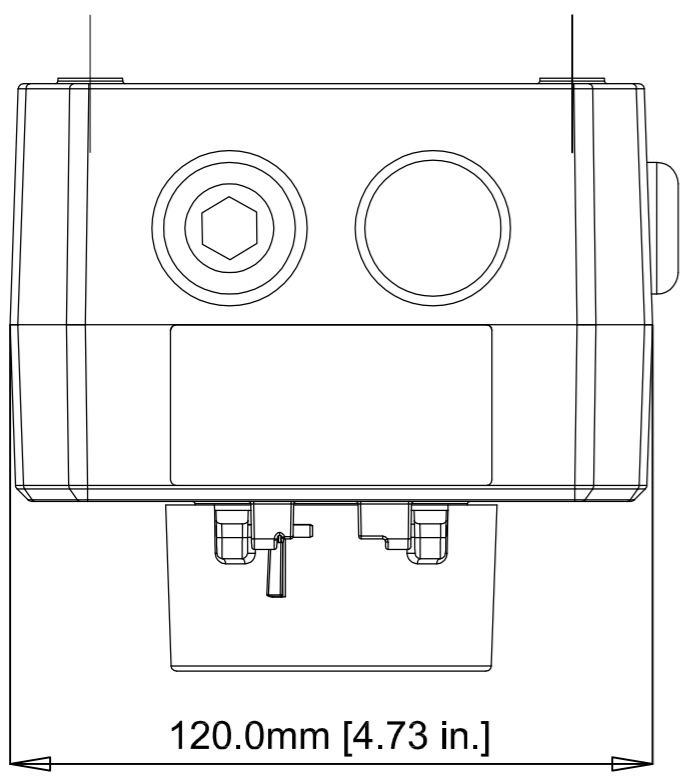


ISSUE	MOD No.	REASON - INITIAL - DATE
A		INTRODUCTION OF PART RSR 22/02/12
B		ENTRY CENTRES ALTERED RNP 11/04/12
C		RSR 26/06/13



E2S PART NO.	DESCRIPTION	DATA REFERENCE
BExCP6A-PB	BExCP6A-PB PUSH BUTTON CALL POINT	1.24.040
BExCP6A-PT	BExCP6A-PT TOOL RESET CALL POINT	1.24.050
BExCP6B-PB	BExCP6B-PB PUSH BUTTON CALL POINT	1.24.030
BExCP6B-PT	BExCP6B-PT TOOL RESET CALL POINT	1.24.060

WHERE APPLICABLE '-UL' VERSIONS ARE COVERED BY THIS OUTLINE DRAWING.

DRAWING TO BS8888:2000 GEOMETRIC TOLERANCES TO ISO1101:1983 LINEAR DIMENSIONAL TOLS ANGULAR DIMENSIONAL TOLS	DRAWN R.S.RAIT	DATE 22-02-12	SURFACE FINISH	WEIGHT (Kg)	THIS DRAWING AND ANY INFORMATION OR DESCRIPTIVE MATTER THEREIN IS COMMUNICATED IN CONFIDENCE AND IS THE COPYRIGHT PROPERTY OF EUROPEAN SAFETY SYSTEMS LTD. NEITHER THE WHOLE OR ANY EXTRACT MAY BE DISCLOSED, LOANED, COPIED OR USED FOR MANUFACTURING OR TENDERING PURPOSES WITHOUT THEIR WRITTEN CONSENT.	 EUROPEAN SAFETY SYSTEMS LTD IMPRESS HOUSE MANSELL ROAD ACTON LONDON W3 7QH WWW.E2S.COM	ALL DIMENSIONS IN MM IF IN DOUBT, ASK - DO NOT SCALE		A2	
	CHECKED R.N.POTTS	DATE 22-02-12	MATERIAL	ALTERNATIVE MATERIAL						
STANDARDS GNExCP6 CALL POINTS	APPROVED R.N.POTTS	DATE 22-02-12			EUROPEAN SAFETY SYSTEMS LTD. AS PER LATEST DATE OF ISSUE SHOWN ABOVE	 EUROPEAN SAFETY SYSTEMS LTD IMPRESS HOUSE MANSELL ROAD ACTON LONDON W3 7QH WWW.E2S.COM	TITLE GNExCP6 MANUAL CALL POINT PUSH BUTTON / TOOL RESETTABLE OUTLINE DRAWING	SCALE 1:1	SHEET 1 OF 1	DRAWING NUMBER SK0208