

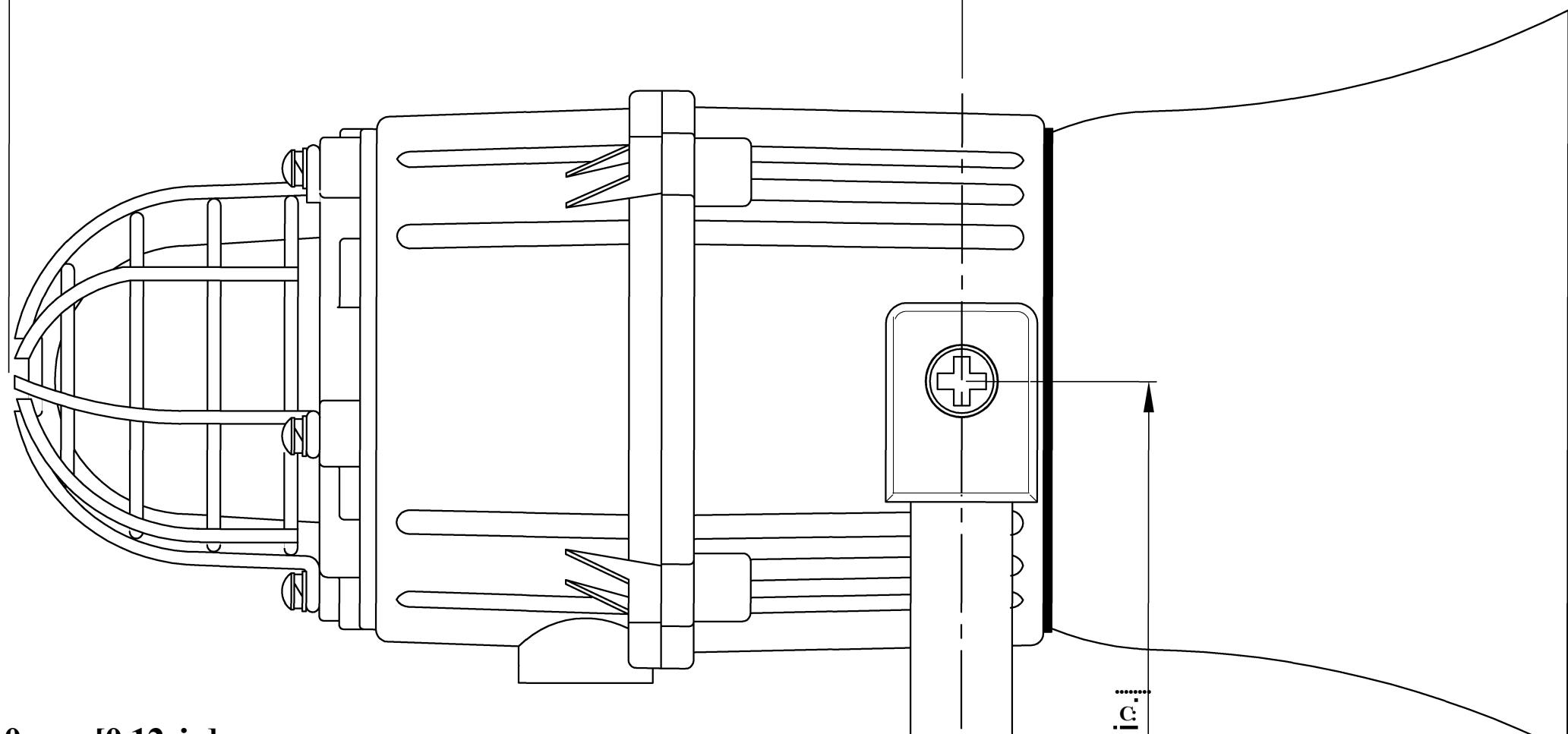
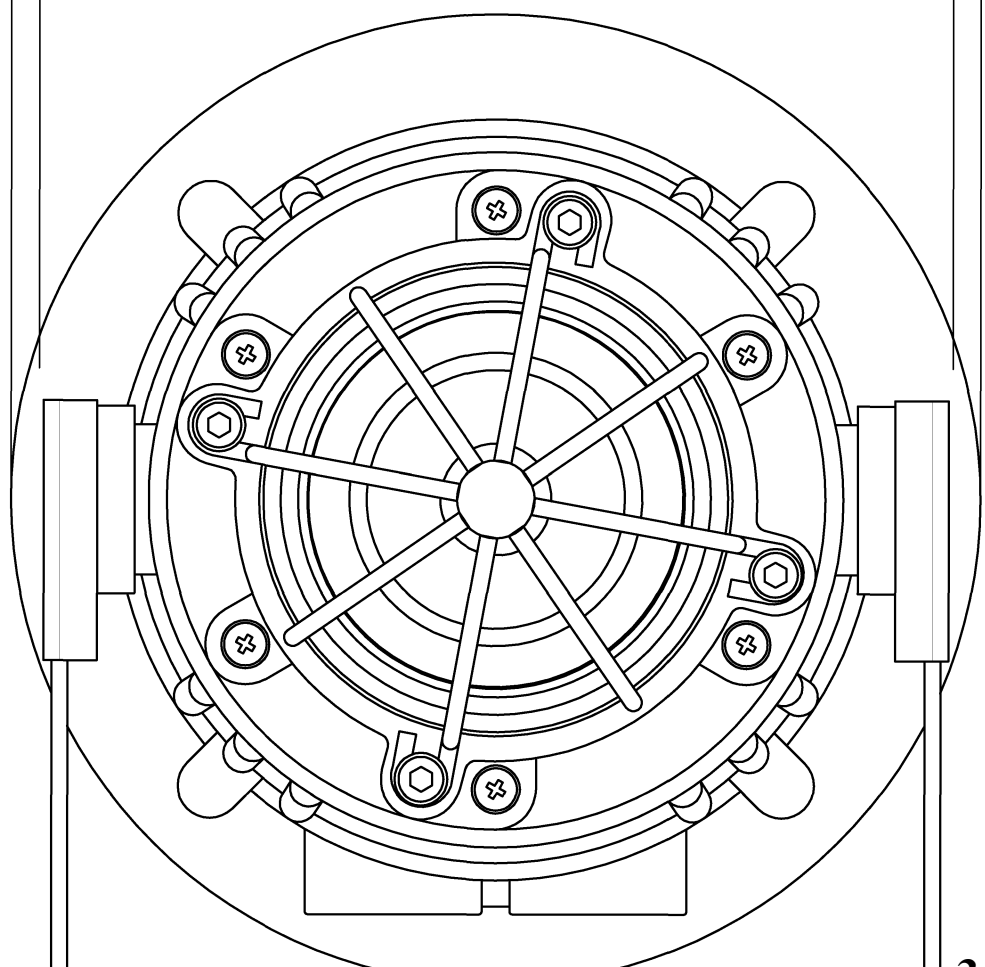
ISSUE	MOD No.	INITIALDATE
A		INTRODUCTION OF PART GU28-08-09
B		UPDATED TO DUAL DIMS. RSR 25-06-13

0181.0mm [7.13 in.]

385.1 mm [15.17 in.]

170.6mm [6.72 in.]

235.0mm [9.25 in.]



3.0mm [0.12 in.]

30.0mm [1.18 in.] 30.0mm [1.18 in.]

130.0mm [5.12 in.]

166.0mm [6.54 in.]

3 Holes 0 7.0 [0.28 in.]

E2S PART NO.	DESCRIPTION	DATA REFERENCE
E2xCS112-5..	E2xCS112-5 COMBINED ALARM SOUNDER & XENON STROBE BEACON	1.33.010
HMCA112-05..	HMCA112-05 ELECTRONIC SIREN, BUZZER, HOOTER & BELL	2.33.050
MCA112-05..	MCA112-05 ALARM SOUNDER & XENON BEACON	2.31.400
MCA112-L 1..	MCA112-L 1 ALARM SOUNDER & LED BEACON	2.31.410

WHERE APPLICABLE 'UL' VERSIONS ARE COVERED BY THIS OUTLINE DRAWING.

DRAWING TO BS8888:2000 GEOMETRIC TOLERANCES TO ISO1101:1983 LINEAR DIMENSIONAL TOLS ANGULAR DIMENSIONAL TOLS	
STANDARDS	

DRAWN	DATE
G. UDOWICZENKO	26-08-09
CHECKED	DATE
APPROVED	DATE

SURFACE FINISH	WEIGHT(Kg)
MATERIAL	
ALTERNATIVE MATERIAL	

THIS DRAWING AND ANY INFORMATION OR DESCRIPTIVE MATTER THEREIN IS COMMUNICATED IN CONFIDENCE AND IS THE COPYRIGHT PROPERTY OF EUROPEAN SAFETY SYSTEMS LTD. NEITHER THE WHOLE OR ANY EXTRACT MAY BE DISCLOSED, LOANED, COPIED OR USED FOR MANUFACTURING OR TENDERING PURPOSES WITHOUT THEIR WRITTEN CONSENT.

© EUROPEAN SAFETY SYSTEMS LTD.  
AS PER LATEST DATE OF ISSUE SHOWN ABOVE

**e** signal+  
EUROPEAN SAFETY SYSTEMS LTD  
IMPRESS HOUSE  
MANSELL ROAD  
ACTON  
LONDON W3 7QH  
WWW.E2S.COM

ALL DIMENSIONS IN MM F N DOUBT, ASK- DO NOTSCALE				<b>A2</b>
TITLE <b>MCA112-05 COMBINED OUTLINE</b>				
SCALE	SHEET	DRAWING NUMBER		
1:1	1 OF 1	<b>SK0123</b>		