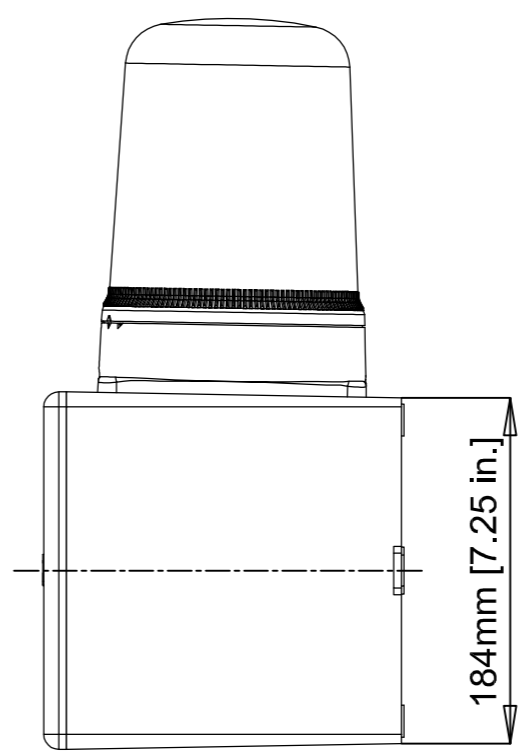
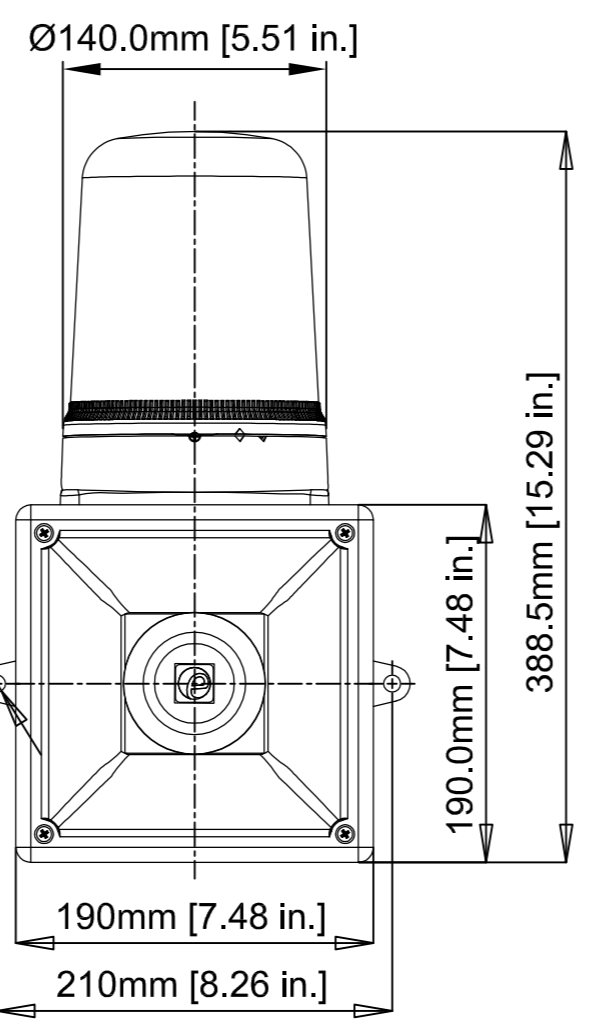
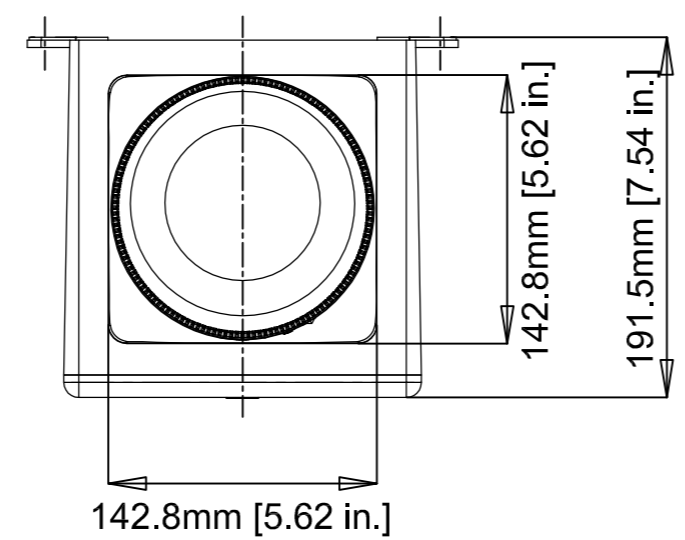


ISSUE	MOD No.	REASON - INITIAL - DATE
A		INTRODUCTION OF PART RNP 22-07-08
B		UPDATED TO DUAL DIMS. RSR 21-06-13



E2S PART NO.	DESCRIPTION	DATA REFERENCE
AB121STR...	AB121STR ALARM SOUNDER & XENON STROBE	2.31.260
AB121LDA...	AD121LDA ALARM SOUNDER & L.E.D BEACON	2.31.270
HAB105RTH...	HAB121RTH ELECTRONIC SIREN, BUZZER, HOOTER & BELL WITH ROTATING BEACON	2.33.040

WHERE APPLICABLE 'UL' VERSIONS ARE COVERED BY THIS OUTLINE DRAWING.

DRAWING TO BS8888:2000 GEOMETRIC TOLERANCES TO ISO1101:1983 LINEAR DIMENSIONAL TOLS ANGULAR DIMENSIONAL TOLS	DRAWN	DATE	SURFACE FINISH FINISH	WEIGHT (Kg)	THIS DRAWING AND ANY INFORMATION OR DESCRIPTIVE MATTER THEREIN IS COMMUNICATED IN CONFIDENCE AND IS THE COPYRIGHT PROPERTY OF EUROPEAN SAFETY SYSTEMS LTD. NEITHER THE WHOLE OR ANY EXTRACT MAY BE DISCLOSED, LOANED, COPIED OR USED FOR MANUFACTURING OR TENDERING PURPOSES WITHOUT THEIR WRITTEN CONSENT.	 EUROPEAN SAFETY SYSTEMS LTD. IMPRESS HOUSE MANSELL ROAD ACTON LONDON W3 7QH WWW.E2S.COM	 IF IN DOUBT, ASK - DO NOT SCALE	 A1
	CHECKED	DATE						
STANDARDS AB RANGE	APPROVED	DATE	ALTERNATIVE MATERIAL	 EUROPEAN SAFETY SYSTEMS LTD. AS PER LATEST DATE OF ISSUE SHOWN ABOVE	TITLE	SCALE	SHEET	DRAWING NUMBER
	R.N.POTTS	22:07:08			AB121STR GENERAL OUTLINE DRAWING A121 SOUNDER WITH B400STR	1:2	1 OF 1	SK0037