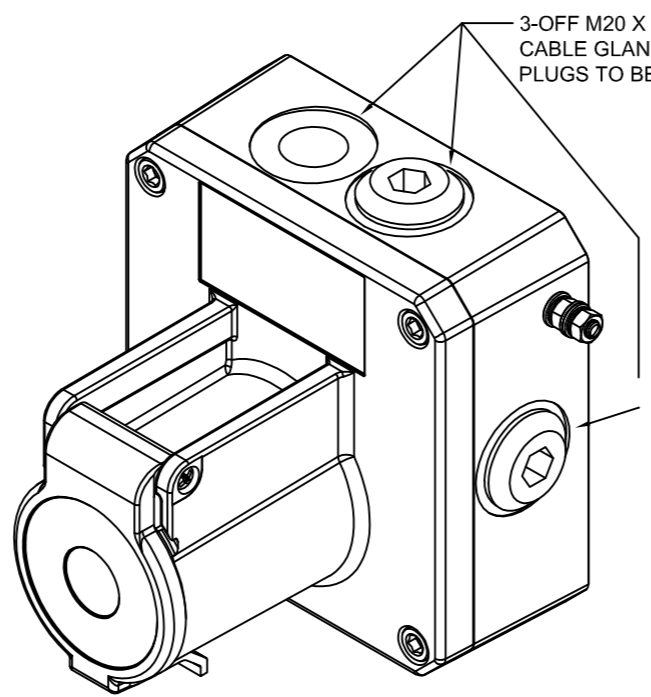
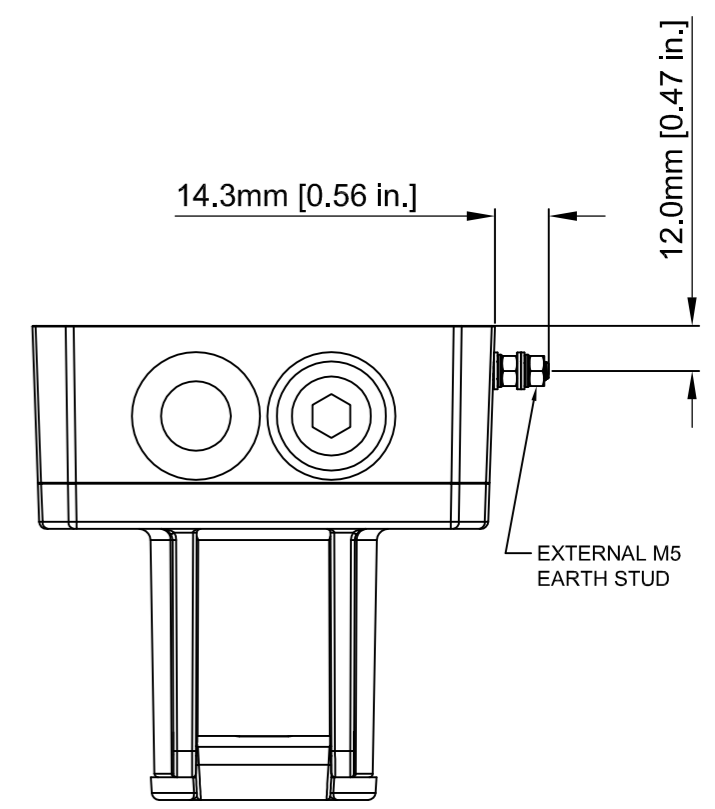


ISSUE	MOD No.	INITIAL/DATE
A		INTRODUCTION OF PART RSR 24-10-16

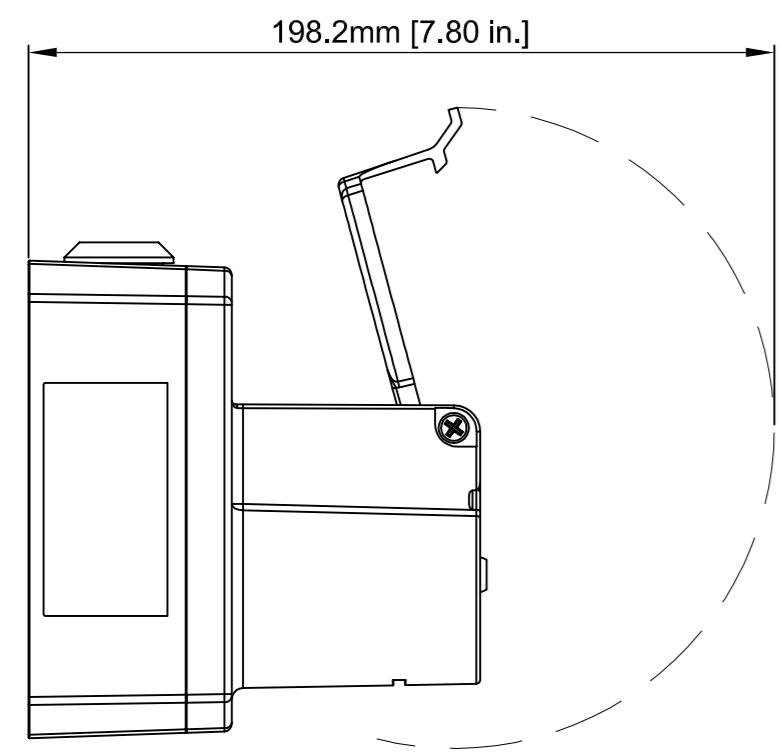


3-OFF M20 X 1.5mm Ex d APPROVED  
CABLE GLANDS OR STOPPING  
PLUGS TO BE USED.

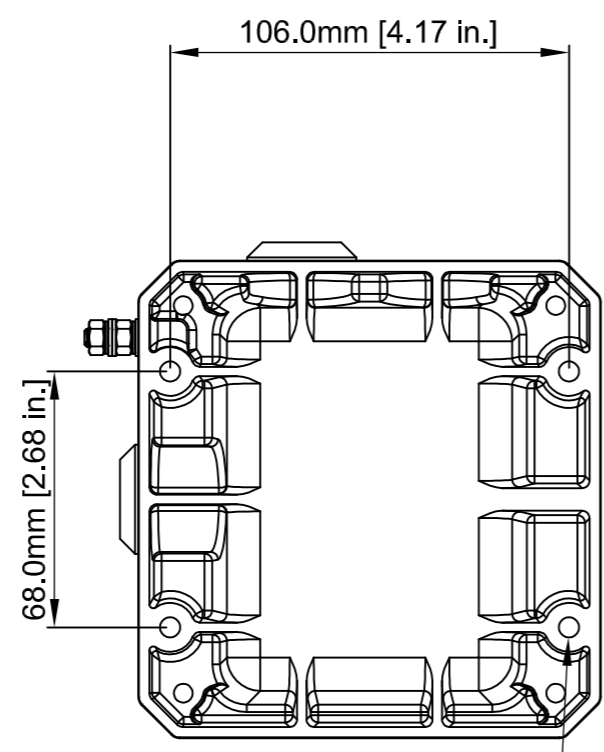
SHOWN WITH LID CLOSED



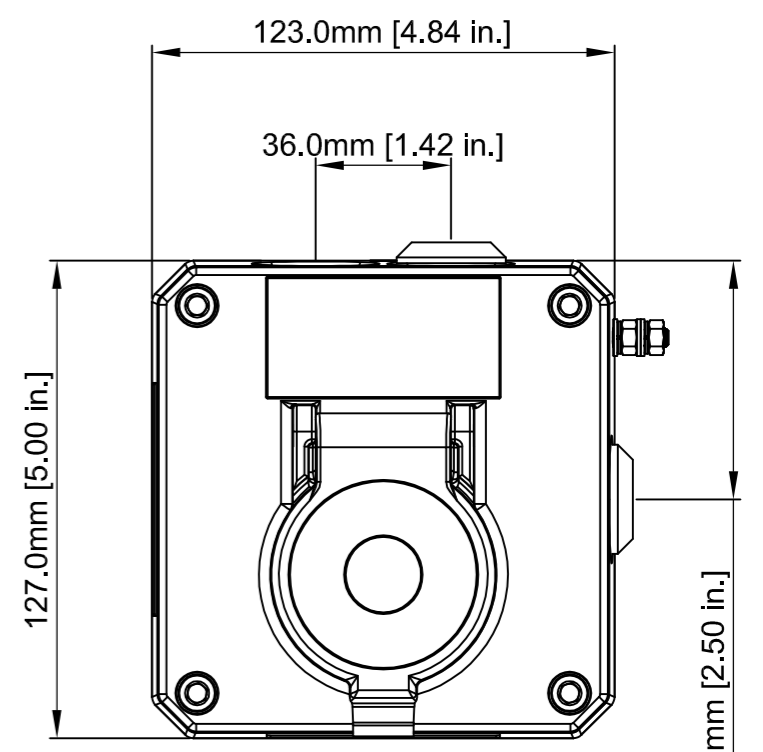
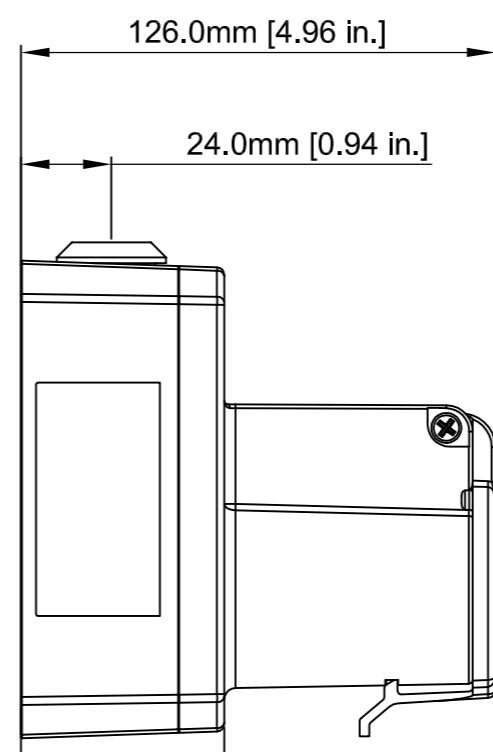
EXTERNAL M5  
EARTH STUD



SHOWN WITH LID OPEN



Ø5.4mm [Ø0.21 in.] MOUNTING  
HOLES 4 OFF



E2S PART NO.	DESCRIPTION	DATA REFERENCE
STExCP8-PM...	STAINLESS STEEL CP8 PUSH BUTTON (MOMENTARY) CALL POINT	1.24.130
STExCP8-PT...	STAINLESS STEEL CP8 PUSH BUTTON (TOOL RESET) CALL POINT	1.24.130

DRAWING TO BS 8888:2000 GEOMETRIC TOLERANCES TO ISO 1101:1983 LINEAR DIMENSION TOLS ANGULAR DIMENSION TOLS	DRAWN	DATE	SURFACE FINISH	WEIGHT (Kg)	THIS DRAWING AND ANY INFORMATION OR DESCRIPTIVE MATTER THEREIN IS COMMUNICATED IN CONFIDENCE AND IS THE COPYRIGHT PROPERTY OF EUROPEAN SAFETY SYSTEMS LTD. NEITHER THE WHOLE OR ANY EXTRACT MAY BE DISCLOSED, LOANED, COPIED OR USED FOR MANUFACTURING OR TENDERING PURPOSES WITHOUT THEIR WRITTEN CONSENT. © EUROPEAN SAFETY SYSTEMS LTD. AS PER LATEST DATE OF ISSUE SHOWN ABOVE	 EUROPEAN SAFETY SYSTEMS LTD WARRISS HOUDES MINKELL ROAD ACTON LONDON W3 7JH WWW.E2S.COM	ALL DIMENSIONS IN MM IF IN DOUBT, ASK - E2S NOT SCALE	 A1
	CHECKED	DATE	MATERIAL				TITLE STExCP8-PM/PT PUSH BUTTON MOMENTARY/ TOOL RESET OUTLINE DRAWING	
STANDARDS	B. ISARD	24-10-16	ALTERNATIVE MATERIAL			SCALE	SHEET	DRAWING NUMBER
	APPROVED	DATE				1:1	1 OF 1	SK0450
	R.N. POTTS	24-10-16						