

			Date	Name	Title: <b>LIGHT COLUMN type ITS-05-ER-230-A</b> Front view and outlines
		Project.			
		Constr.	23.06.14.	Milinoić	
		Check			
		<b>INELTEH</b> ENGINEERING FOR ELECTRONIC EQUIPMENT AND SYSTEMS			Identity:
Rev	Changes	Date/Sign			File: ITS-05-ER-230-A_out_Marin Supply, RN 14224.cdr
					Page/of 1/3

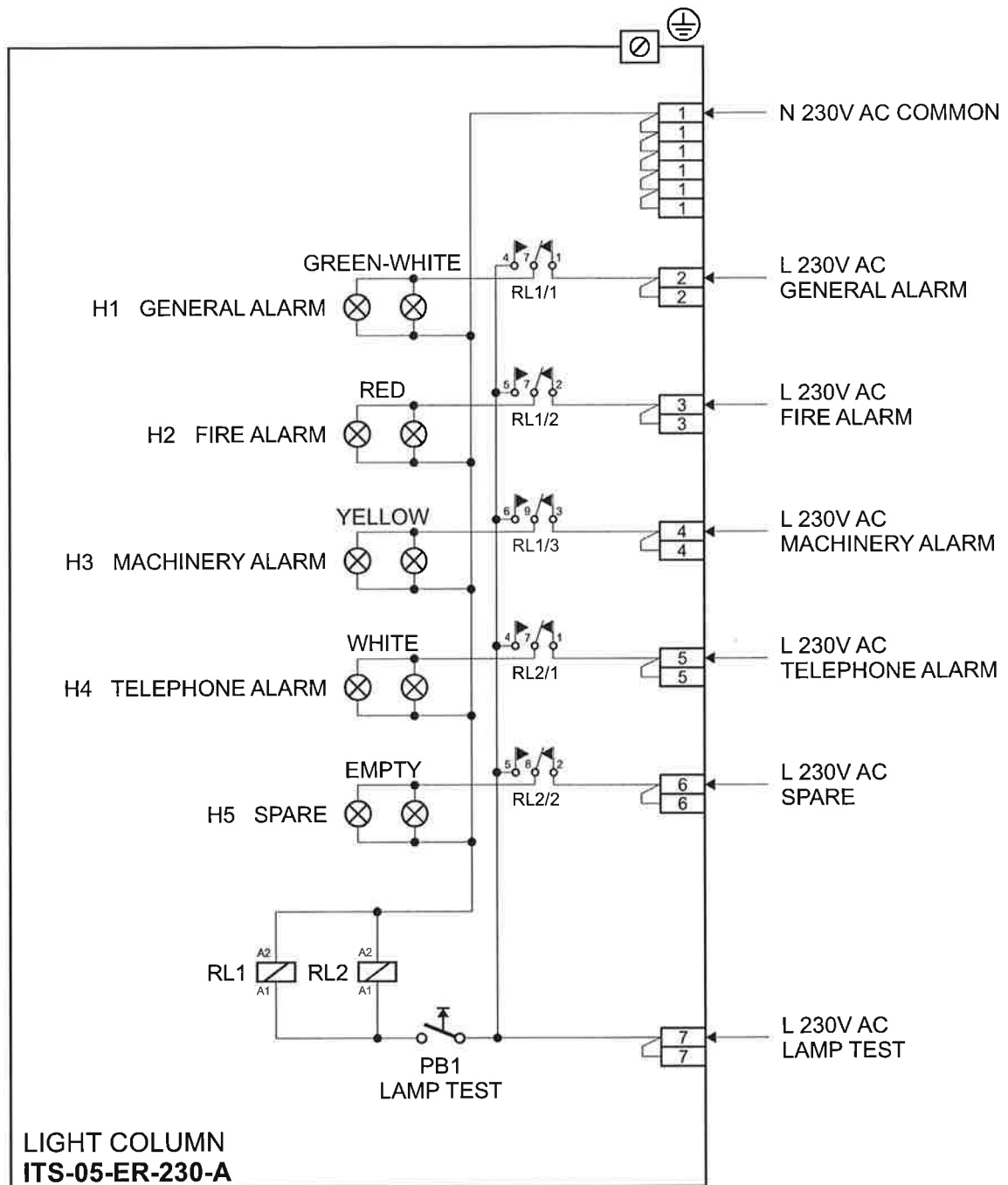
**ENGINE ROOM SIGNALIZATION SYSTEM**


**Documentation:**

*Light column ITS-05-ER-230-A,  
Marin Supply AS, RN 14224*

**LIGHT COLUMN type ITS-05-ER-230-A, component specification**  
 (File: ITS-05-ER-230-A, matspec, Marin Supply, RN 14224.doc)

No.	IDENTITY	REFERENCE	DESCRIPTION	REMARKS	PCS.
001			Case ITS-05	mnfctr. "INELTEH"	001
002			Triangle light IT-026	mnfctr. "INELTEH"	005
003		H1 - H5	Bulbs BA-15D, 230V, 5/7W + BA-15D lamp socket, (33G308 + 38G447)		010
004			Cable gland PG29	mnfctr. "HILPRESS"	001
005			Terminal blocks RK 2.5-4	mnfctr. "CONTA CLIP"	018
006		RL1, RL2	Relay 55.33.8.230, 230VAC	mnfctr. "FINDER"	002
007		PB1 ("TEST")	Push button M22-D-G + M22-A + M22-K10	mnfctr. "MÖELLER"	001



Rev	Changes	Date/Sign	Date	Name
			Project.	
			Constr.	23.06.14. Milinović
			Check	
 ENGINEERING FOR ELECTRONIC EQUIPMENT AND SYSTEMS				

Title:		<b>LIGHT COLUMN type ITS-05-ER-230-A Connection diagram</b>	
Identity:		File: ITS-05-ER-230-A, conn, Marin Supply, RN 14224.cdr	Page/of 2/3

**MANUFACTURER`S CERTIFICATE**

Equipment: **ENGINE ROOM SIGNALIZATION  
SYSTEM**

Ser. No. : Light columns ITS-05-ER-230-A: 07145391 .. 07145399

Purchase : "MARIN SUPPLY" AS  
Nedre vei 8  
Bygg 155  
BNO-3183 HORTEN

Order Number: 2001982

**HARDWARE TEST:** \_\_\_\_\_

*O.k.*

**SOFTWARE TEST:** \_\_\_\_\_

System are produced and tested in accordance with manufacturer`s standard testing procedure and production documentation

Responsible for testing procedure:

Rijeka, 15.07.2014.

*[Signature]*

**INELTEH**  
inženjering za elektroničke  
uređaje i sisteme, d.o.o.  
51000 RIJEKA, Ljubljanska cesta 7

**INELTEH** d.o.o.

Ljubljanska cesta 7, HR-51000 Rijeka, Croatia

Tel. ++385 51 274 536, Fax ++385 51 712 122, E-mail: inelteh@inelteh.hr

www.inelteh.hr

