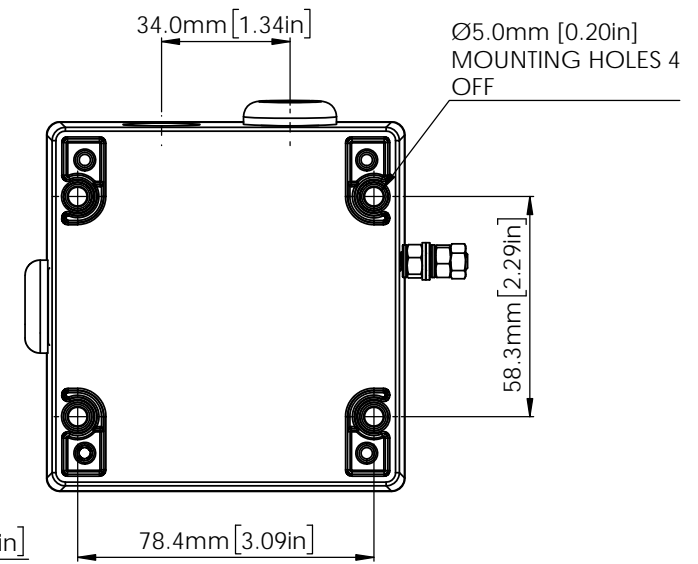
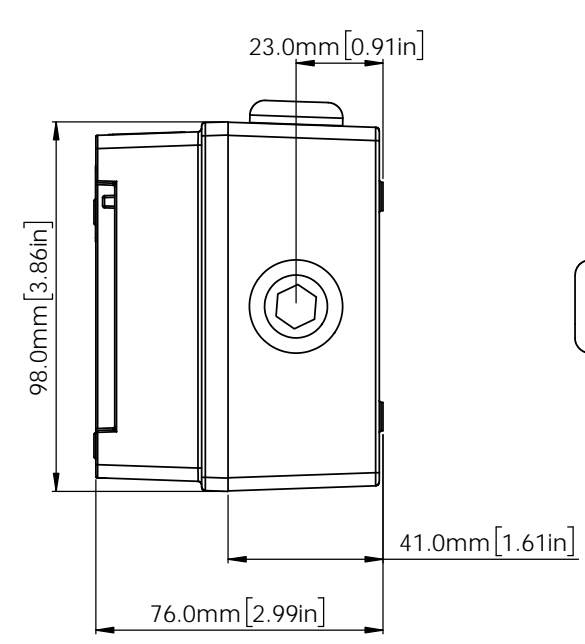
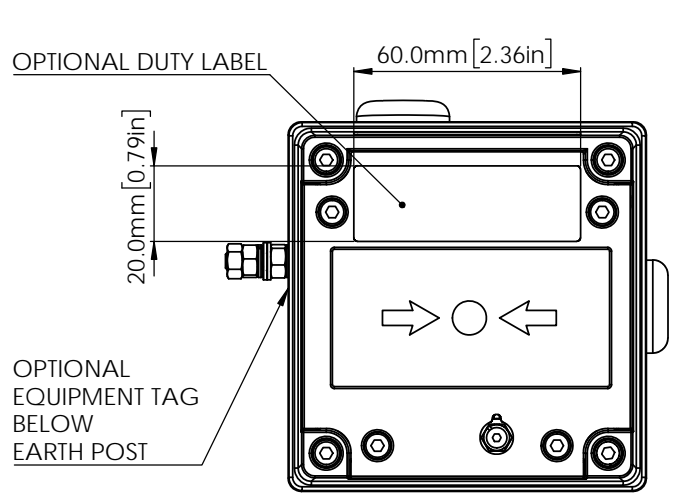
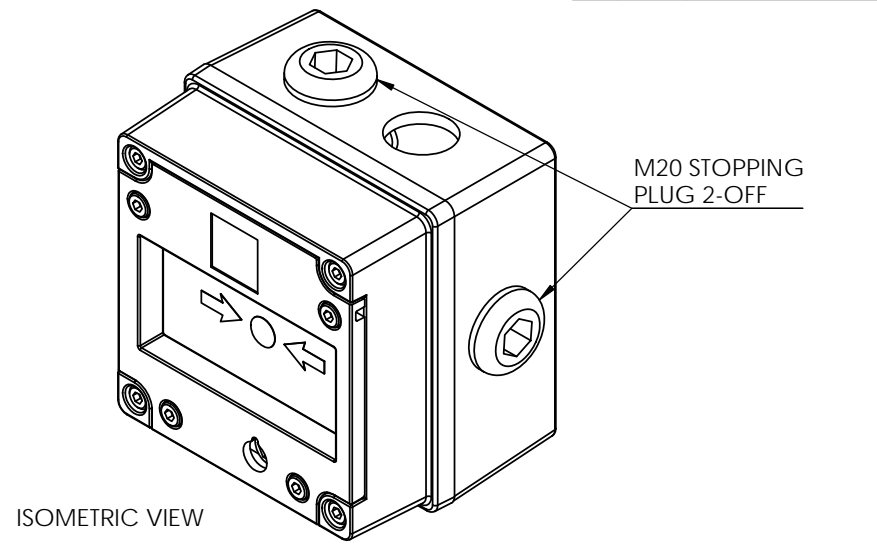
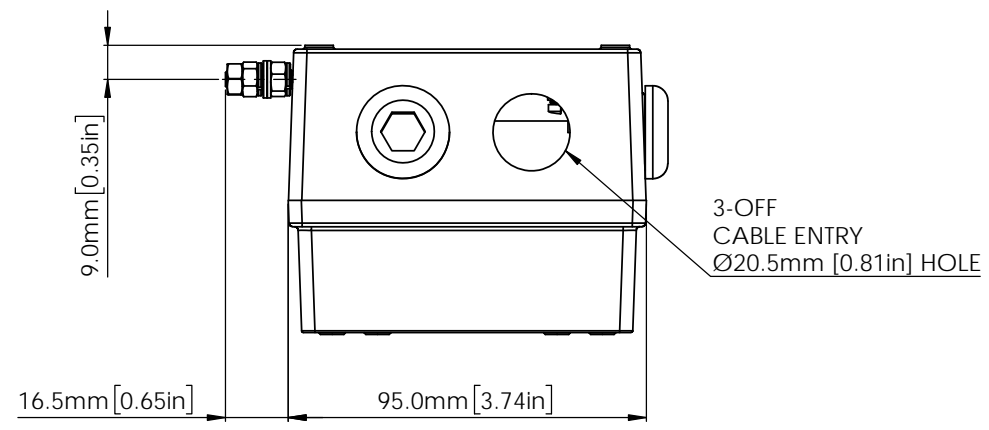


E2S PART NO.	DESCRIPTION	DATA REFERENCE
BExCP3A-BG BExCP3B-BG BExCP3C-BG BExCP3D-BG	BExCP3-BG BREAK GLASS MANUAL CALL POINT	1.24.070
IS-CP4A-BG IS-CP4B-BG	IS-CP4-BG BREAK GLASS MANUAL CALL POINT	1.14.010

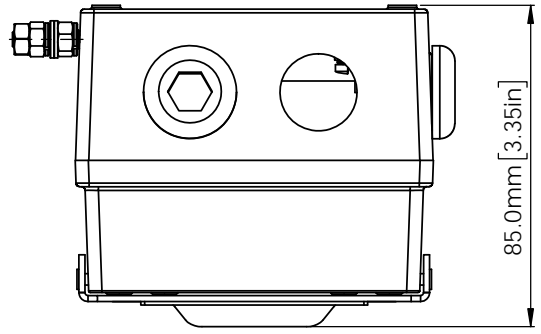
ISSUE	MOD No.	REASON - INITIAL - DATE
1		INTRODUCTION DAH - 31-01-20
2		SHEET 2 LIFT FLAP OPTION ADDED DAH - 23-11-20



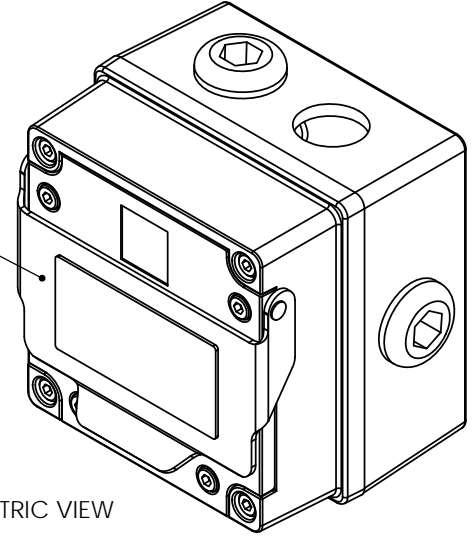
DRAWING TO BS8888:2000 GEOMETRIC TOLERANCES TO ISO1101:1983 LINEAR DIMENSIONAL TOLS ANGULAR DIMENSIONAL TOLS	DRAWN	DATE	SURFACE FINISH POWDER COAT	WEIGHT (kg)	THIS DRAWING AND ANY INFORMATION OR DESCRIPTIVE MATTER THEREIN IS COMMUNICATED IN CONFIDENCE AND IS THE COPYRIGHT PROPERTY OF EUROPEAN SAFETY SYSTEMS LTD. NEITHER THE WHOLE OR ANY EXTRACT MAY BE DISCLOSED, LOANED, COPIED OR USED FOR MANUFACTURING OR TENDERING PURPOSES WITHOUT THEIR WRITTEN CONSENT.	 EUROPEAN SAFETY SYSTEMS LTD IMPRESS HOUSE MANSELL ROAD ACTON LONDON W3 7QH WWW.E2S.COM	ALL DIMENSIONS IN MM IF IN DOUBT, ASK - DO NOT SCALE		A2
	CHECKED	DATE					MATERIAL		
	STANDARDS BExCP3 IS-CP4	APPROVED	DATE	ALTERNATIVE MATERIAL			 EUROPEAN SAFETY SYSTEMS LTD. AS PER LATEST DATE OF ISSUE SHOWN ABOVE	SCALE 1:1	SHEET 1 OF 2

E2S PART NO.	DESCRIPTION	DATA REFERENCE
BExCP3A-BG BExCP3B-BG BExCP3C-BG BExCP3D-BG	BExCP3-BG BREAK GLASS MANUAL CALL POINT	1.24.070
IS-CP4A-BG IS-CP4B-BG	IS-CP4-BG BREAK GLASS MANUAL CALL POINT	1.14.010

ISSUE	MOD No.	REASON - INITIAL - DATE
1		INTRODUCTION DAH - 31-01-20
2		SHEET 2 LIFT FLAP OPTION ADDED DAH - 23-11-20

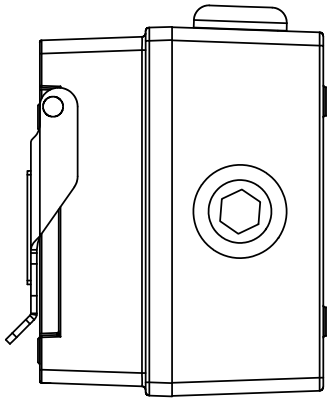
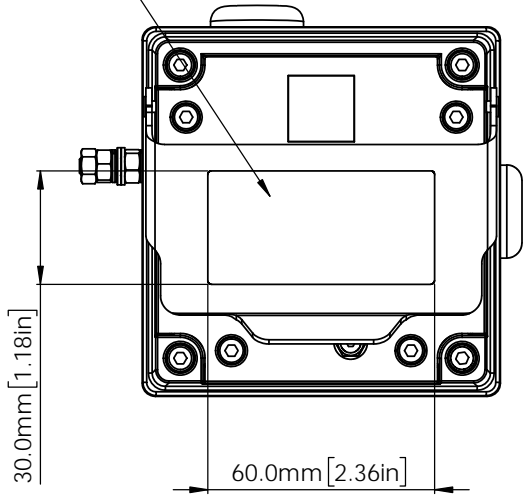


OPTIONAL
LIFT FLAP

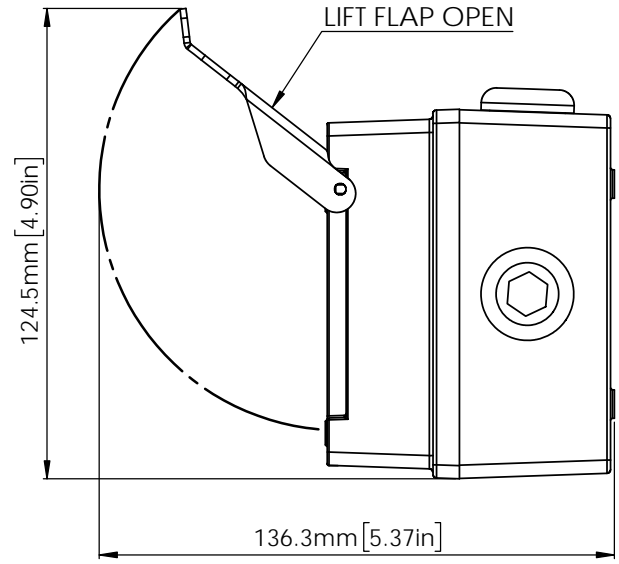


ISOMETRIC VIEW

OPTIONAL DUTY LABEL



LIFT FLAP OPEN



DRAWING TO BS8888:2000 GEOMETRIC TOLERANCES TO ISO1101:1983 LINEAR DIMENSIONAL TOLS ANGULAR DIMENSIONAL TOLS	DRAWN DATE D.HOWGILL 31-01-20	SURFACE FINISH POWDER COAT MATERIAL	THIS DRAWING AND ANY INFORMATION OR DESCRIPTIVE MATTER THEREIN IS COMMUNICATED IN CONFIDENCE AND IS THE COPYRIGHT PROPERTY OF EUROPEAN SAFETY SYSTEMS LTD. NEITHER THE WHOLE OR ANY EXTRACT MAY BE DISCLOSED, LOANED, COPIED OR USED FOR MANUFACTURING OR TENDERING PURPOSES WITHOUT THEIR WRITTEN CONSENT. © EUROPEAN SAFETY SYSTEMS LTD. AS PER LATEST DATE OF ISSUE SHOWN ABOVE	 EUROPEAN SAFETY SYSTEMS LTD IMPRESS HOUSE MANSELL ROAD ACTON LONDON W3 7QH WWW.E2S.COM	ALL DIMENSIONS IN MM IF IN DOUBT, ASK - DO NOT SCALE	 A2
	CHECKED DATE R.N.POTTS 31-01-20				ALTERNATIVE MATERIAL	
	STANDARDS BExCP3 IS-CP4	APPROVED DATE R.N.POTTS 31-01-20			SCALE SHEET 1:1 2 OF 2	