

SPECTRA B400RTH

Rotating Beacon
 G6.35/GY6.35 Halogen Bulb
 IP Rating: IP65
 Temp: -25°C to +50°C
 Unit weight: 578g
 CE

Dimensions : Ø140 x 225mm
 1.5mm² terminals
 Cable entry: 1 x 5-7mm push through
 grommet
 2 x M20 cable entry (IP65)

x = Lens colour

R = Red A = Amber
 B = Blue C = Clear
 G = Green Y = Yellow

Bulb Type G6.35 / GY6.35

Order code Voltage
 B400RTH012B/x 12V DC 3000mA
 B400RTH024B/x 24V DC 1540mA
 B400RTH115B/x 115V AC 338mA
 B400RTH230B/x 230V AC 186mA

E2S Part No. Version
 BJC35W12VCL 12V 35W
 BJC35W24VCL 24V 35W
 BJC40W120VCL 115V 40W
 BJC40W230VCL 230V 40W

Mountings


B400RAB001 Right angle bracket
 B400TMA001 Tube mounting assembly

Tel : +44 (0)20 8743 8880 Fax : +44 (0)20 8740 4200
 email : sales@e2s.com web : www.e2s.com



 **ATTENTION:** Installation must be carried out by an electrician in compliance with the latest codes and regulations.

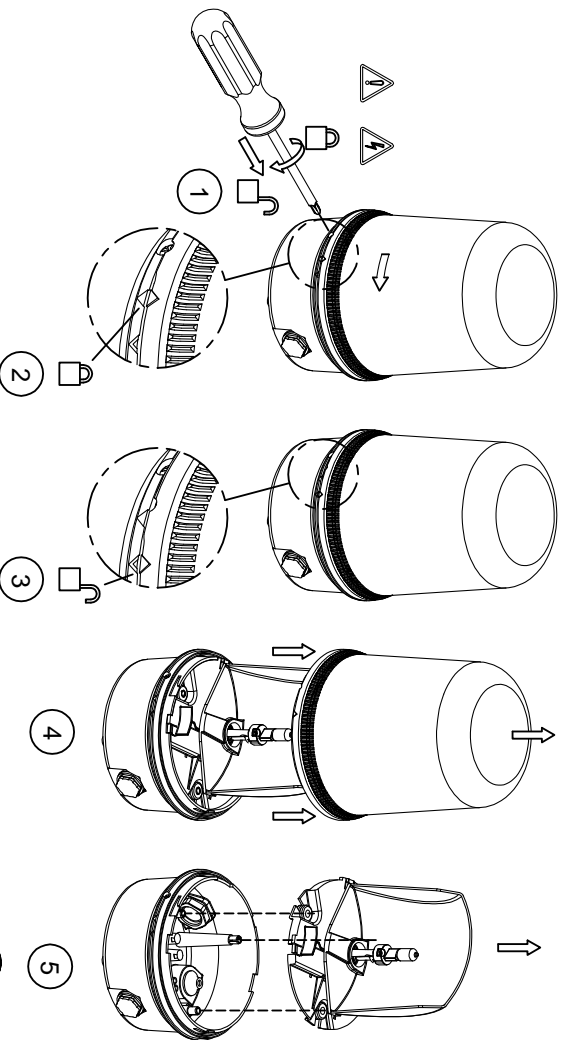
 **ATTENTION:** Disconnect from power source before installation or service to prevent electric shock.

 **ATTENTION:** Lens on unit will be hot allow to cool prior to removal.

 **ATTENTION:** Do not touch the surface of halogen bulb when changing.

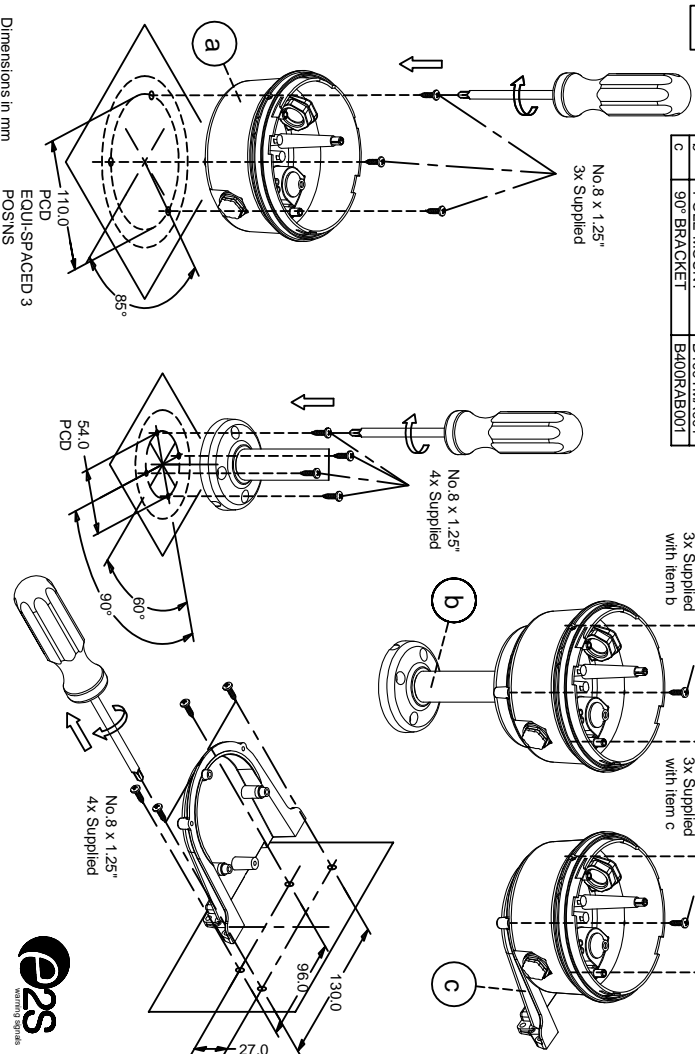


A SPECIIRA B400RTH



B

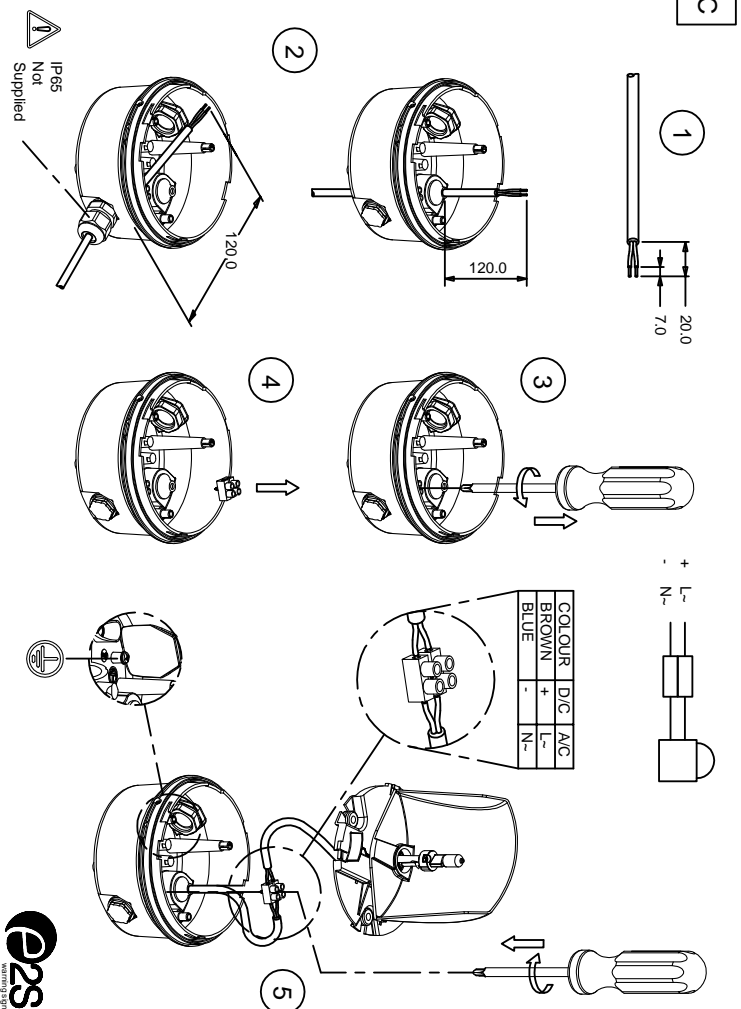
MOUNTING OPTIONS	
a	STANDARD BASE
b	POLE MOUNT
c	90° BRACKET
	B400TMA001
	B400RAB001



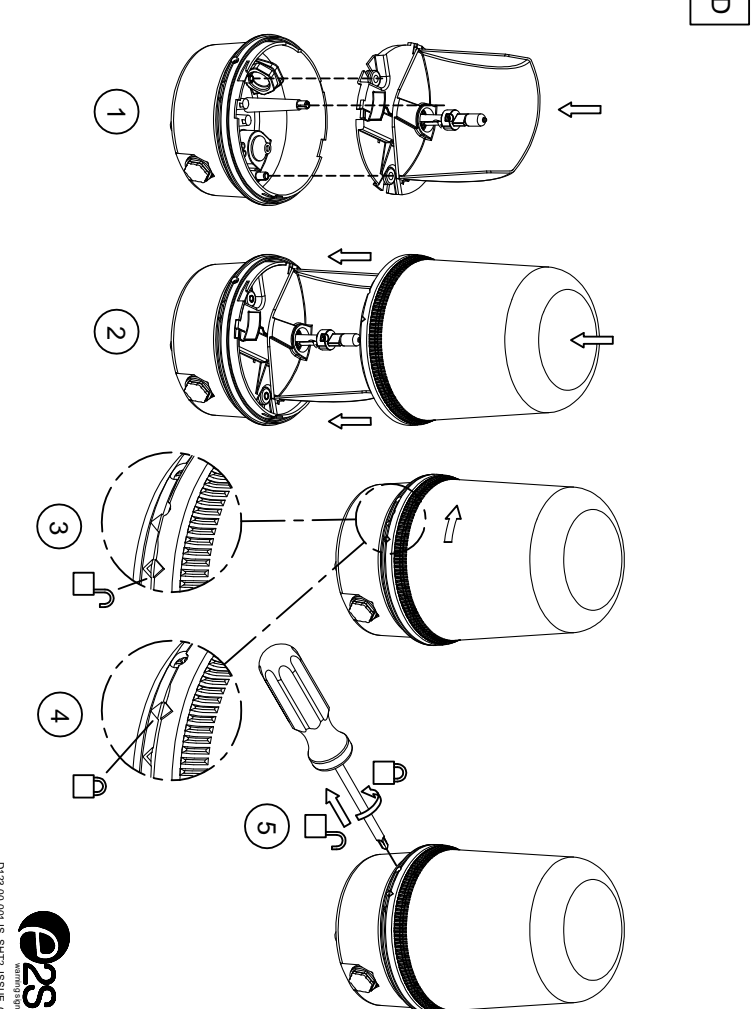
Tel: +44 (0)20 8743 8880 Fax: +44 (0)20 8740 4200
 email: sales@e2s.com web: www.e2s.com



C



D



Dimensions in mm

PCD
EQUI-SPACED 3
POSNS



D123-00-001-15-SHTZJSSUE C

