



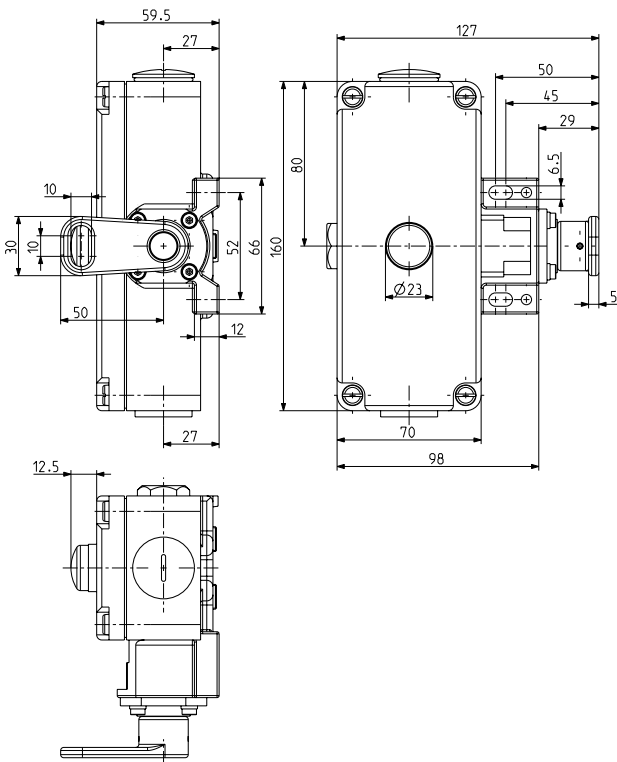
Emergency pull-wire switch ZS 75 S 20/2S VD IP67 -40°C Extreme

Material number: 1183405 (Material number old: 75430923)

Features/Options

- Cold-resistant down to -40 °C
- High degree of protection IP 67
- Metal enclosure
- 4 contacts
- Wire length up to 2 x 100 m
- Release by push-button (VD)
- Wire pull and breakage detection

Dimensions

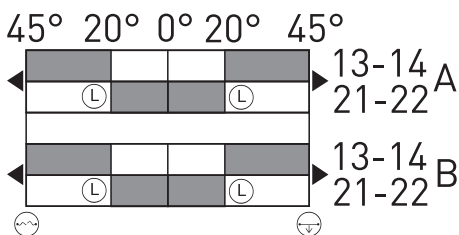


Technical data

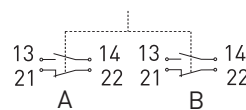
Standards	EN 60947-5-1, -5; EN ISO 13850; EN ISO 13849-1
Enclosure	aluminium die-cast, enamel finish
Cover	aluminium die-cast, enamel finish
Degree of protection	IP 67 to IEC/EN 60529
Contact material	silver
Switching elements	2 NC/2 NO contacts with double break
Switching system	snap action, positive break NC contacts ⊖
Connection	screw connection terminals
Cable cross-section	max. 2.5 mm ² (incl. conductor ferrules)
Cable entry	2 x M25 x 1.5
B_{10d} (10 % Load)	200 000
T_M	max. 20 years
U_{imp}	6 kV
U_i	400 V
I_{the}	6 A
Utilisation category	AC-15
I_e/U_e	6 A/400 VAC
Max. fuse rating	6 A gG/gN fuse
Ambient temperature	-40 °C ... +70 °C
Mechanical life	> 100 000 operations
Max. wire length	2 x 100 m
Features	wire pull and breakage detection
Approvals	
Weight	1000 g

Errors and omissions excepted.

Switching diagram



Contact diagram



Note:

At 4 m distance intermediate wire supports are required. Two compensation springs type ZS 73/75 S must be installed, see accessories.