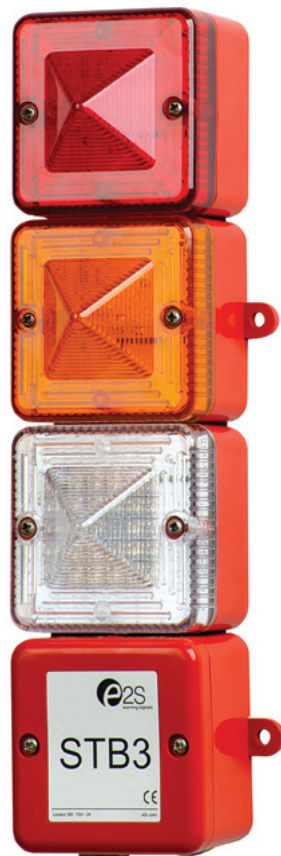


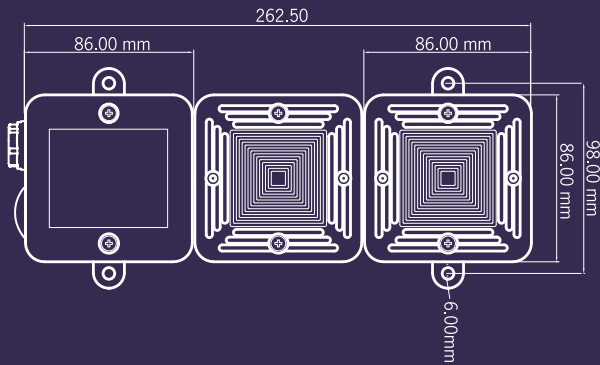
STB2/3/4 Xenon & L.E.D. Tower with Junction Box

The STB2, STB3 and STB4 are customisable visual signals featuring a tower of 2, 3 or 4 AlertAlight L101 type beacons. Each beacon position can contain either a Xenon or high output L.E.D. light source. The STB2, STB3 or STB4 assembly features a pre-wired junction box and cable loom enabling the end user to determine beacon type and position during installation.

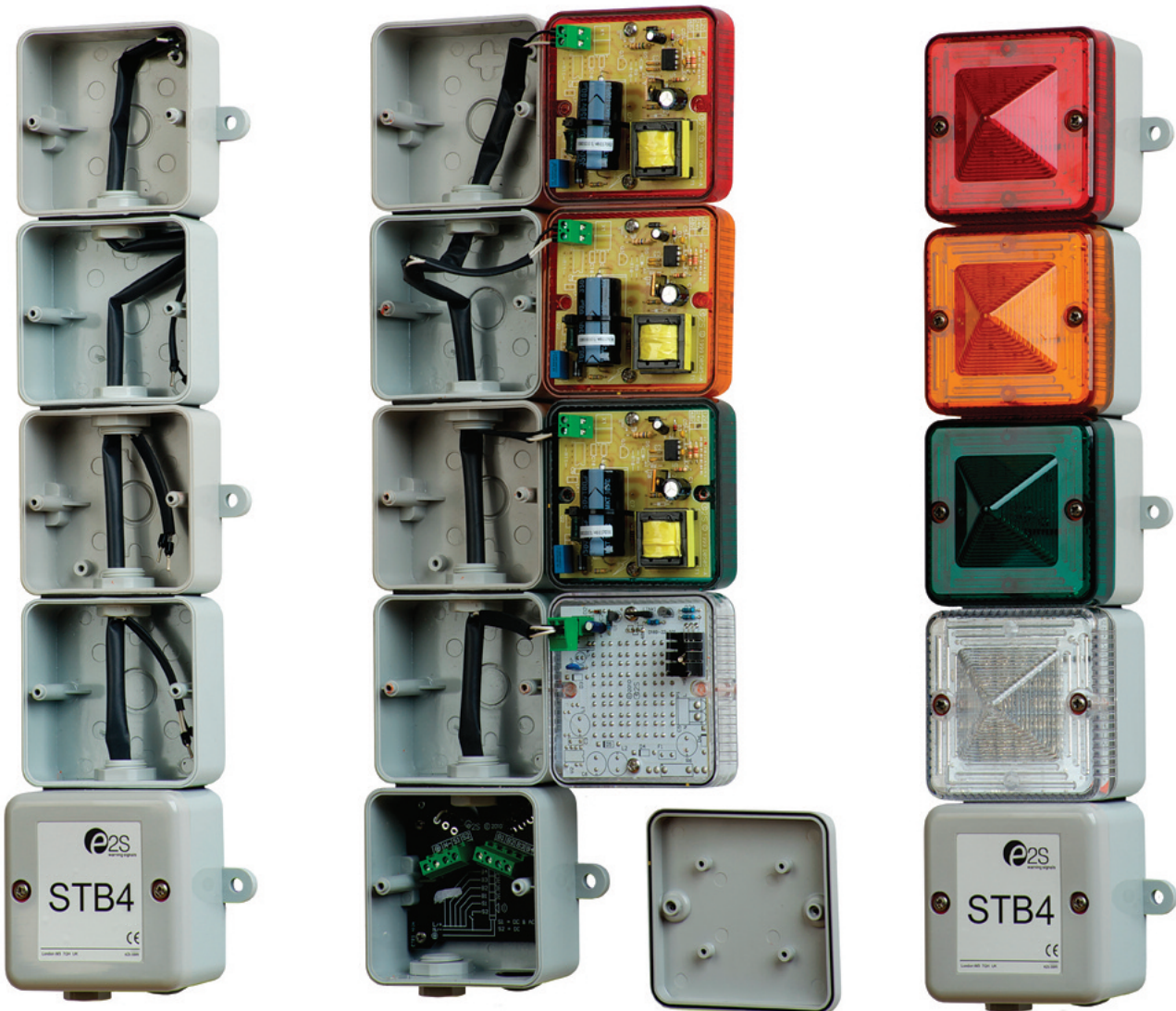
Features:

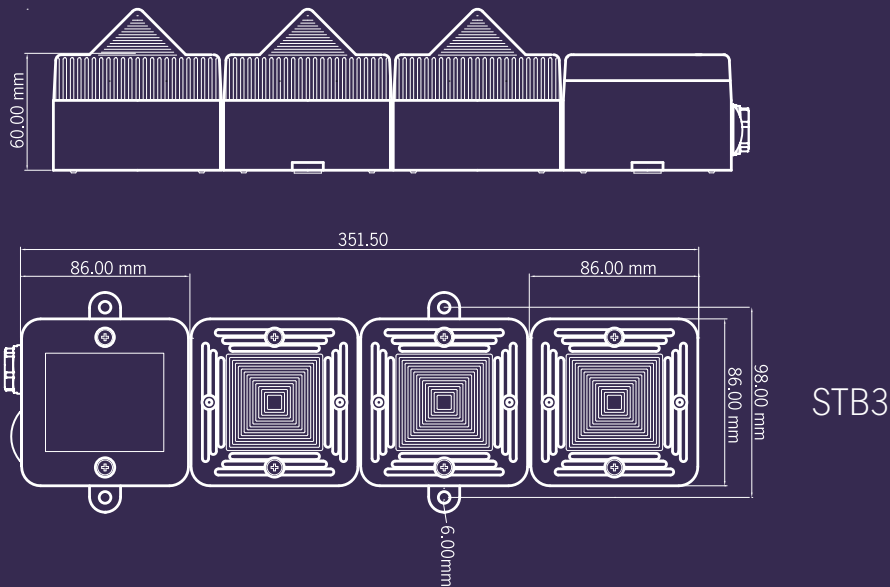
- Multiple configurations of Xenon and LED beacons.
- Internal cable loom and termination PCB simplifies installation.
- Common negative/neutral supply minimises cabling.
- Available with red, white or grey housing.
- High output LED unit can be set to steady or flashing.
- Sealed to IP66.
- Tropicalisation available on request.
- Can be combined with Sonora SONF1 audible signal - see the STA2/3/4 data sheet (2.3.081v10a).





STB2





STB3

Specification:**General:**

Cable entries:	2 x M20 clearance
Ingress Protection:	IP66
Housing material:	UL94V0 & 5VA FR ABS
Housing colour:	RAL3000 Red, RAL7038 Grey and White
Lens material:	PC
Fixings:	Stainless Steel
Operating temp:	-25° to +55°C
Storage temp:	-40° to +70°C
Relative humidity:	90% at 20°C
STB2 Weight:	0.65kg
STB3 Weight:	0.85kg
STB4 Weight:	1.05kg

L101 Xenon Beacon:

Version:	Voltage range:	Current mA:
12V dc/ac	10-14V	500mA/380mA
24V dc/ac	20-28V	250mA/300mA
115V ac 50/60Hz	+/-10%	70mA
230V ac 50/60Hz	+/-10%	35mA

L101H L.E.D. Beacon:

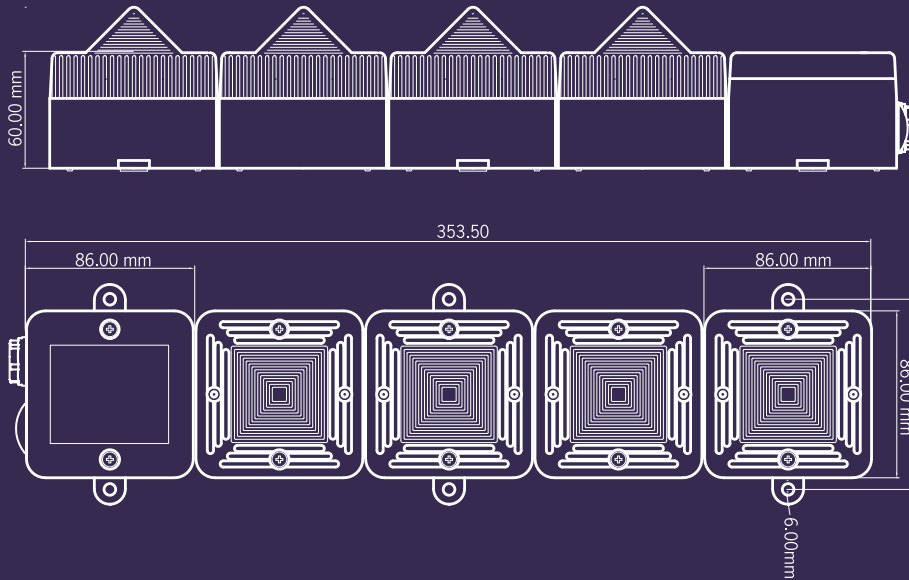
Version:	Voltage range:	Current mA:
DC	10-30V dc	155mA (24V dc)
AC/DC 50/60Hz	90-260V ac/dc	35mA (230V ac)

Specification:**L101 - Xenon:**

Energy:	5 Joules (5Ws)
Flash rate:	1Hz (60 fpm)
Peak Candela:	86,935 cd
Effective Intensity cd:	200 cd*
Terminals:	0.5 to 4.0mm ² cables.
Lens colours:	Amber, Blue, Clear, Green, Opal, Red, Yellow
Tube life :	Emissions are reduced to 70% after 8 million flashes

L101H - L.E.D:

Light source:	High intensity L.E.D. array. 24 x Superflux type high output L.E.D's
Options:	Steady or 2Hz flash mode (on board selection)
Effective Intensity cd:	White L.E.D: 120cd
Terminals:	0.5 to 4.0mm ² cables
L.E.D. colours:	Amber Blue, Green, Red and White
Lens colour:	All L.E.D. colours use a Clear lens to maximise output and to ensure the signal is most effective in high ambient light levels.



STB4

Part codes:

Version:	Description:	Voltage:	Housing colour:	Part code:
STB2	Junction box assembly for 2 x L101 beacons	12/24Vdc	Grey/Red/White	STB2DC[x]
STB2	Junction box assembly for 2 x L101 beacons	115/230Vac	Grey/Red/White	STB2AC[x]
STB3	Junction box assembly for 3 x L101 beacons	12/24Vdc	Grey/Red/White	STB3DC[x]
STB3	Junction box assembly for 3 x L101 beacons	115/230Vac	Grey/Red/White	STB3AC[x]
STB4	Junction box assembly for 4 x L101 beacons	12/24Vdc	Grey/Red/White	STB4DC[x]
STB4	Junction box assembly for 4 x L101 beacons	115/230Vac	Grey/Red/White	STB4AC[x]

[x]: G=Grey, R=Red, W=White

Version:	Description:	Voltage:	Lens colour:	Part code:
ST-L101X	L101 Xenon Beacon 5J	12Vdc	Amber, Blue, Clear, Green, Red, Yellow	ST-L101XDC012[x]
ST-L101X	L101 Xenon Beacon 5J	24Vdc	Amber, Blue, Clear, Green, Red, Yellow	ST-L101XDC024[x]
ST-L101X	L101 Xenon Beacon 5J	115Vac	Amber, Blue, Clear, Green, Red, Yellow	ST-L101XAC115[x]
ST-L101X	L101 Xenon Beacon 5J	230Vac	Amber, Blue, Clear, Green, Red, Yellow	ST-L101XAC230[x]
ST-L101H	L101 L.E.D. Beacon	10-30Vdc	Amber, Blue, Clear, Green, Red	ST-L101HDC030[x]
ST-L101H	L101 L.E.D. Beacon	90-260Vac	Amber, Blue, Clear, Green, Red	ST-L101HAC230[x]

[x]: A=Amber, B=Blue

C=Clear, G=Green, R=Red

Example: For a tower of three beacons using two Xenon beacons, one red, one amber plus one L.E.D. beacon in green using a 24Vdc supply in a red housing, order the following part codes:

- STB3DCR
- ST-L101XDC024R
- ST-L101XDC024A
- ST-L101HDC024G

