

SFH 6EX

Fog Signal

SFH 6EX Fog Signal is a 2 NM audio signal. The Fog Signal is a new development, compact and lightweight unit designed for marine applications. The Fog Signal is equipped with six compressor drivers and with an integrated power amplifier.

- **Signal range 2 NM**
- **Output 133,2 dB at a frequency of 664 Hz**
- **Corrosion resistant aluminium housing**
- **Suitable to be powered with solar energy and a battery system**
- **Maintenance free design**
- **As standard delivered with Morse U 30 sek audio signal, on request other characters**
- **Used on fixed offshore structures, oil/ gas platforms, offshore wind farms, FSO and FPSO tankers**
- **Can be installed together with a Sabik fog detector**





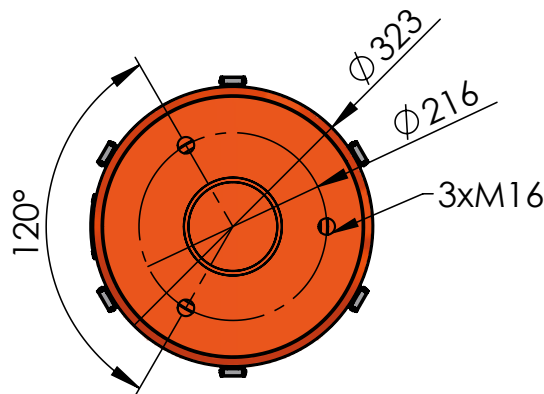
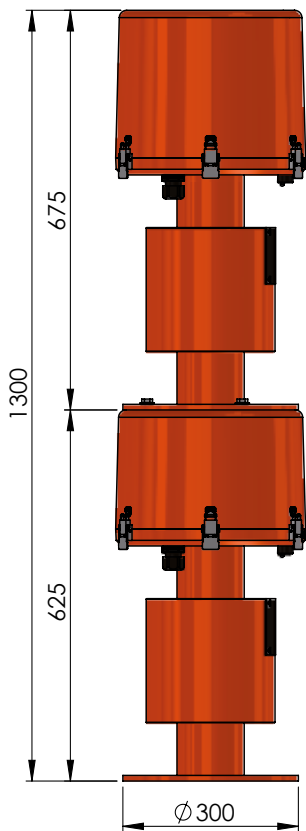
Size
Compact and lightweight design easy to transport.



Outgoing signal 360 degree
Custom made driver is well protected against the salt marine environment.



Safety latches
For easy access during maintenance and configuration.



Main Technical Specification

Supply voltage	12 - 28 VDC
Input power	100 W
Signal output	133,2 dB
Output frequency	664 Hz
Nominal range	2 Nautical miles
Body material	Corrosion resistant Aluminium
Weight	67 kg
Degree of protection	IP 66
Temperature range	-20°...+40°C
EX Zones	Zone 1 and Zone 2
EX approvals	Ex emb IIC T6 Gb
Certificates	VTT 11 ATEX 033