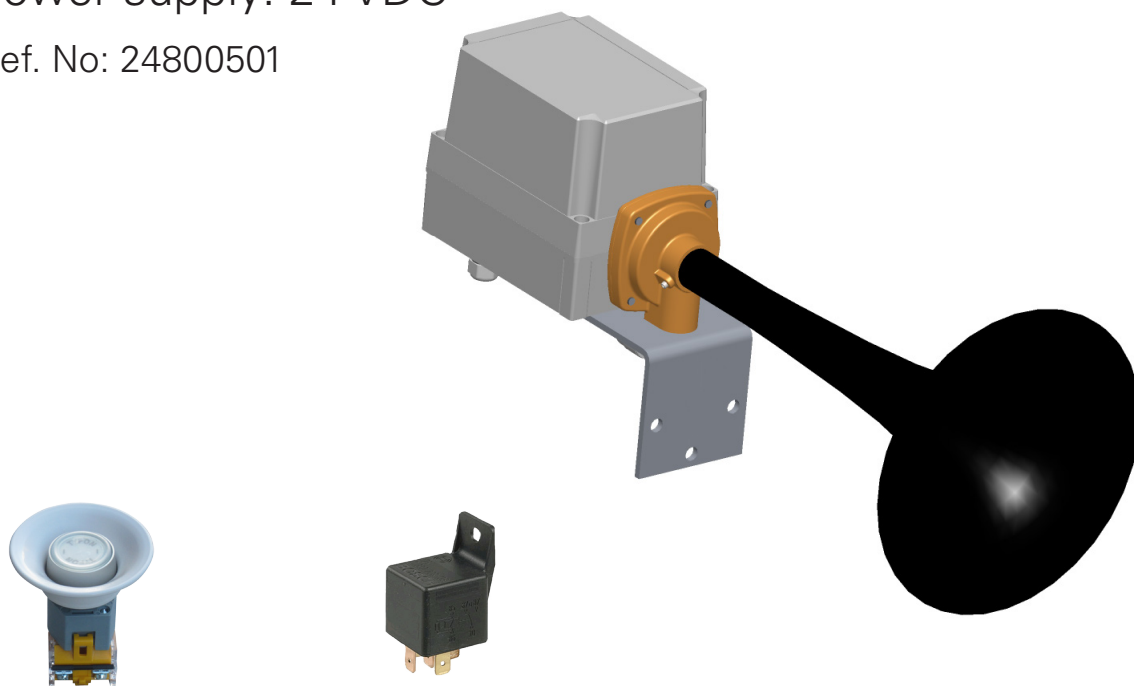


TYFON[®] MLT 75/345 ND with box 2013

Signalling whistle for vessels up to 20 m in length

Power supply: 24 VDC

Ref. No: 24800501



Push-button Switch TL 80
for panel mounting
See separate leaflet.

Power relay is included in delivery.

General Information

The signalling whistle TYFON type MLT 75/345 ND with box and heating unit, for vessels up to 20 m in length overall is especially made to meet the IMO requirements. IMO limit is 120 dB within one 1/3 octave.

- Electrically driven compressor
- Thermostatic heating
- Pressurized air is not required on board
- Easy installation
- Low electrical power consumption in relation to the sound power

Technical Data

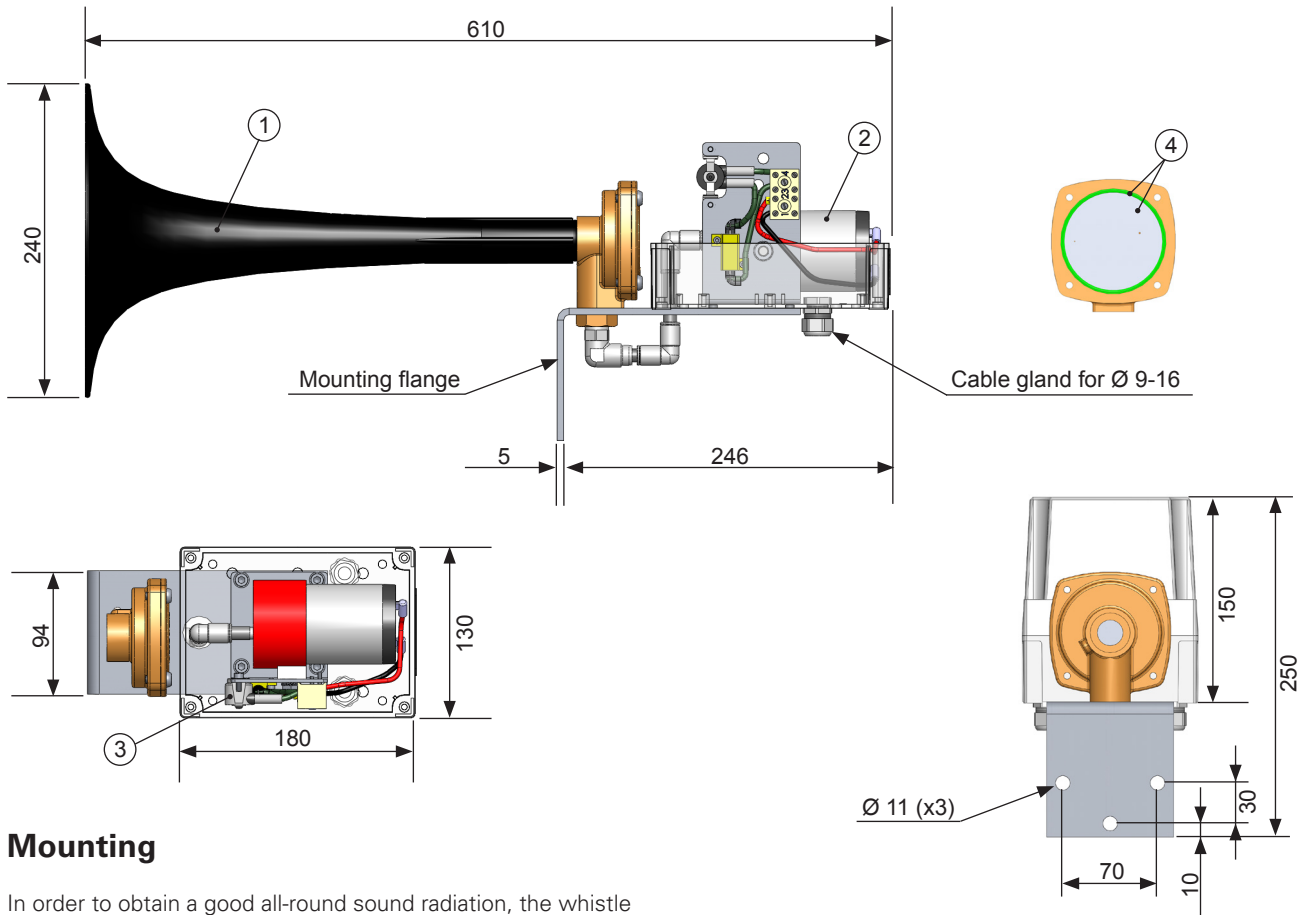
Power supply: 24V DC
Power consumption compressor: 195 W
Power consumption heating: 25 W

Sound frequency 345 Hz
Sound Pressure Level at 1 m:

- Total 126 dB
- 1/3 octave 122 dB

Weight 4,4 kg

TYFON[®] MLT 75/345 ND 2013 Installation



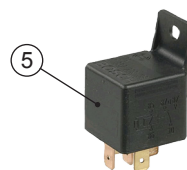
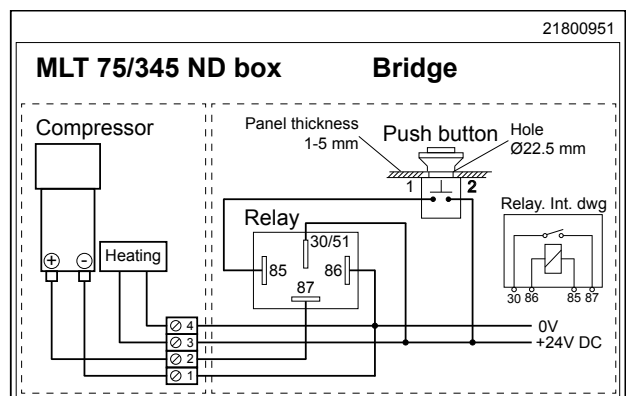
Mounting

In order to obtain a good all-round sound radiation, the whistle must be mounted as high and free as possible. The compressor is mounted in the box.

Electric supply

Connect the compressor to the power relay, controlled by the push-button switch, and power supply. Respect compressor polarity. The cable section for 24 V should be min 2,5 mm² and suitable fuse 16 A slow blow.

Spare parts MLT 75/345 ND			
Item	Qty	Ref. No	Part Name
1	1	21750053	Horn 345 Hz
2	1	21800534	Compressor 24 V
3	1	24800332	Heating Unit 24 V
4	1	24800503	Diaphragm set
5	1	20400282	Power relay 24 V



Spare parts can be obtained from Kockum Sonics or their agents. When ordering, please, give Ref. No and parts name.