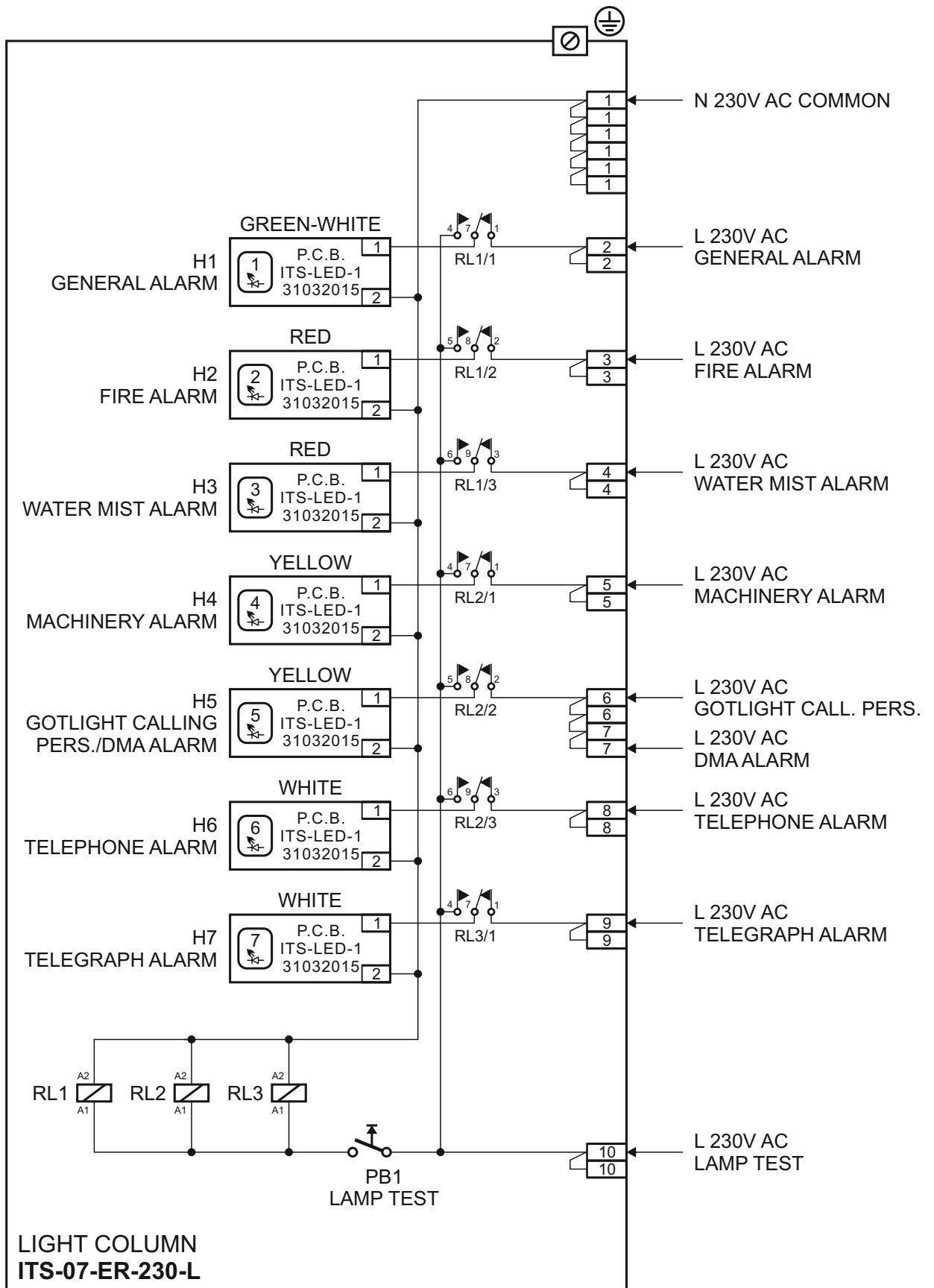



			Date	Name	Title: LIGHT COLUMN type ITS-07-ER-230-AL Front view and outlines
			Project.		
			Constr.	12.01.16. Aleksić	
			Check		
Rev	Changes	Date/Sign			
This drawing is the property of INELTEH d.o.o. and must not be reproduced, copied or distributed, entirely or in part, without written permission of INELTEH d.o.o.					
			Identity:	File: ITS-07-ER-230-L_out, Marin Supply, I-16305.cdr	Page/of 1/2



1	Test corrected.	20012016/DC	Date	Name	Title: LIGHT COLUMN type ITS-07-ER-230-AL Connection diagram
			Project.		
			Constr.	12.01.16. Aleksić	
			Check		
Rev	Changes	Date/Sign			
<small>This drawing is the property of INELTEH d.o.o. and must not be reproduced, copied or distributed, entirely or in part, without written permission of INELTEH d.o.o.</small>			<small>ENGINEERING FOR ELECTRONIC EQUIPMENT AND SYSTEMS</small>		Identity:
			File: ITS-07-ER-230-L, conn, Marin Supply, I-16305.cdr		Page/of 2/2