
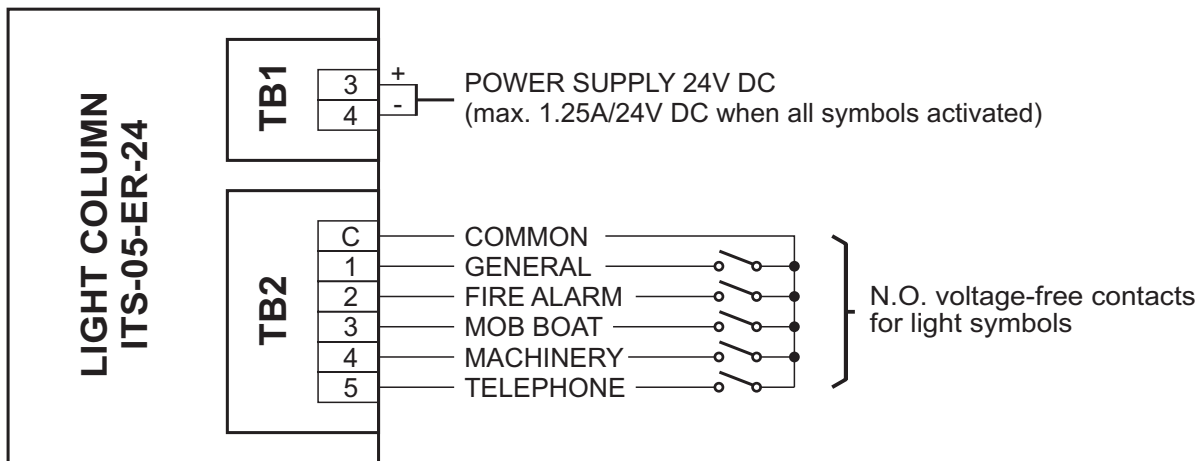



			Date	Name	<b>Light Column type ITS-05-ER-24</b> Front view and outlines
			Project.		
			Constr.	23.11.12. Milinović	
			Check		
			 ENGINEERING FOR ELECTRONIC EQUIPMENT AND SYSTEMS		Identity:
Rev	Changes	Date/Sign			File: ITS-05-ER-24, out, Marin Supply, I-12094.cdr
					Page/of 1/2



			Date	Name	<b>Title:</b>  <b>LIGHT COLUMN type ITS-05-ER-24</b>  Terminal block / current consumption
			Project.		
			Constr.	23.11.12. Milinović	
			Check		
			 ENGINEERING FOR ELECTRONIC EQUIPMENT AND SYSTEMS		<b>Identity:</b>
Rev	Changes	Date/Sign			
					Page/of 2/2