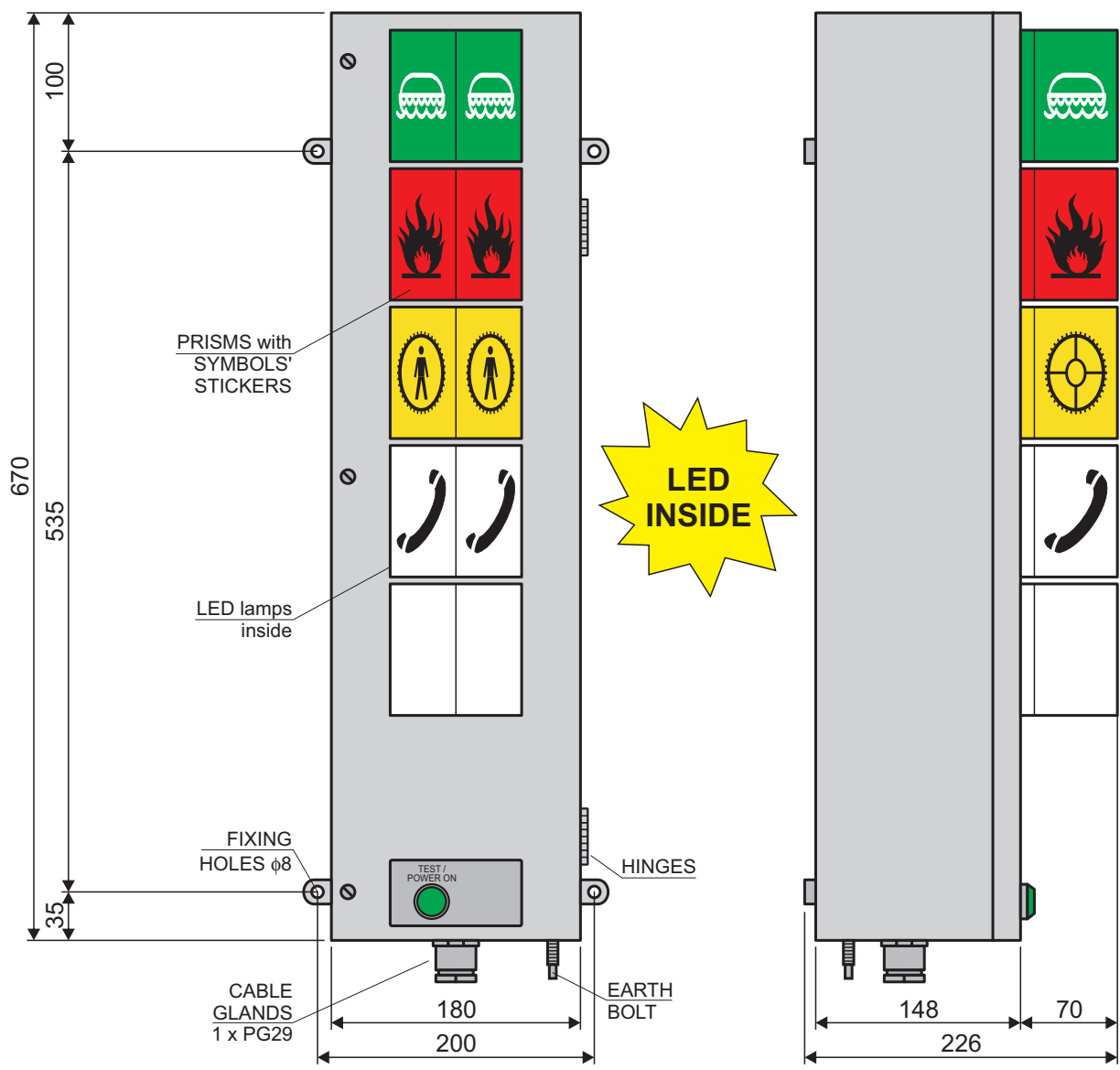



ENGINE ROOM SIGNALIZATION SYSTEM

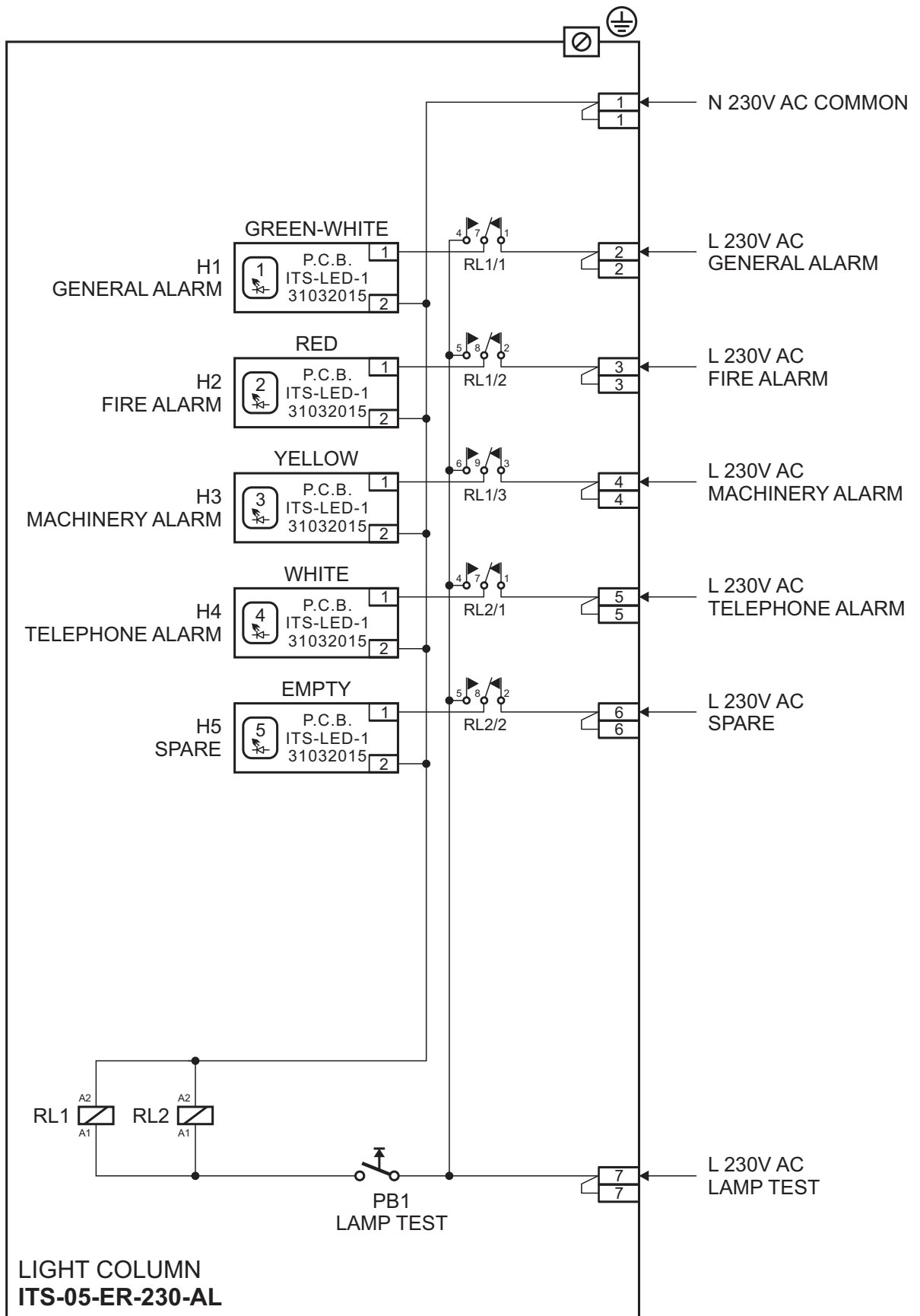
ITS-05-ER-230-AL, Marin Supply, RN-18710, documentation, rev0

Supplier's ref. No.: RN-18710


Customer: Marin Supply AS, Norway



			Date	Name	Title: LIGHT COLUMN type ITS-05-ER-230-AL Front view and outlines
			Project.		
			Constr.	07.09.17. Sirotnjak	
			Check		
Rev	Changes	Date/Sign	 INELTEH ENGINEERING FOR ELECTRONIC EQUIPMENT AND SYSTEMS		
This drawing is the property of INELTEH d.o.o. and must not be reproduced, copied or distributed, entirely or in part, without written permission of INELTEH d.o.o.					
			Identity:	File: ITS-05-ER-230-AL, out, Marin Supply, RN-18710.cdr	Page/of 1/2



RL1, RL2 - FINDER 55.33

			Date	Name	Title: LIGHT COLUMN type ITS-05-ER-230-AL Connection diagram
			Project.		
			Constr.	07.09.17. Sirotnjak	
			Check		
Rev	Changes	Date/Sign	 ENGINEERING FOR ELECTRONIC EQUIPMENT AND SYSTEMS		
This drawing is the property of INELTEH d.o.o. and must not be reproduced, copied or distributed, entirely or in part, without written permission of INELTEH d.o.o.					
			Identity:	File: ITS-05-ER-230-AL, conn, Marin Supply, RN-18710.cdr	Page/of 2/2