

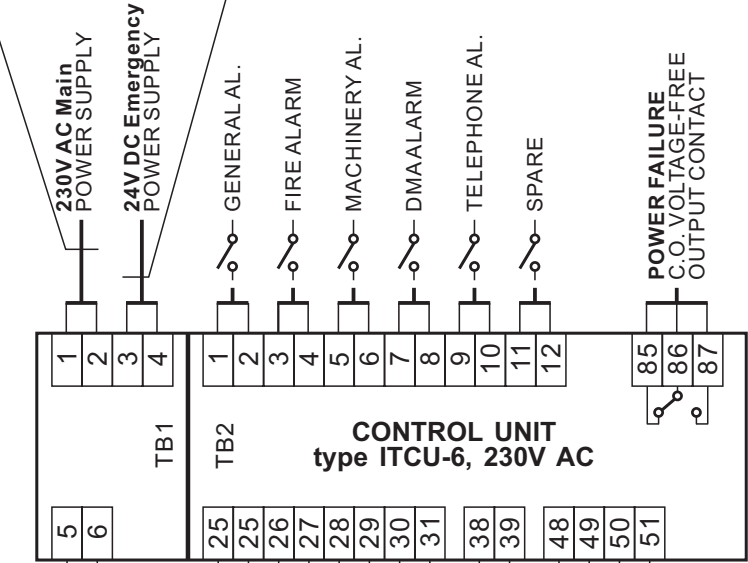
*****NOTE:**

Input contact for General alarm should follow general alarm sequence waveform (7 short and 1 long).

			Date	Name	Title: ENGINE ROOM SIGNALIZATION SYSTEM Block diagram
			Project.		
			Constr.	09.04.15 Milinović	
			Check		
Rev	Changes	Date/Sign			
This drawing is the property of INELTEH d.o.o. and must not be reproduced, copied or distributed, entirely or in part, without written permission of INELTEH d.o.o.			 ENGINEERING FOR ELECTRONIC EQUIPMENT AND SYSTEMS		Identity:
					File: ER Signalization, block, Marin Supply, I-15182-1.cdr

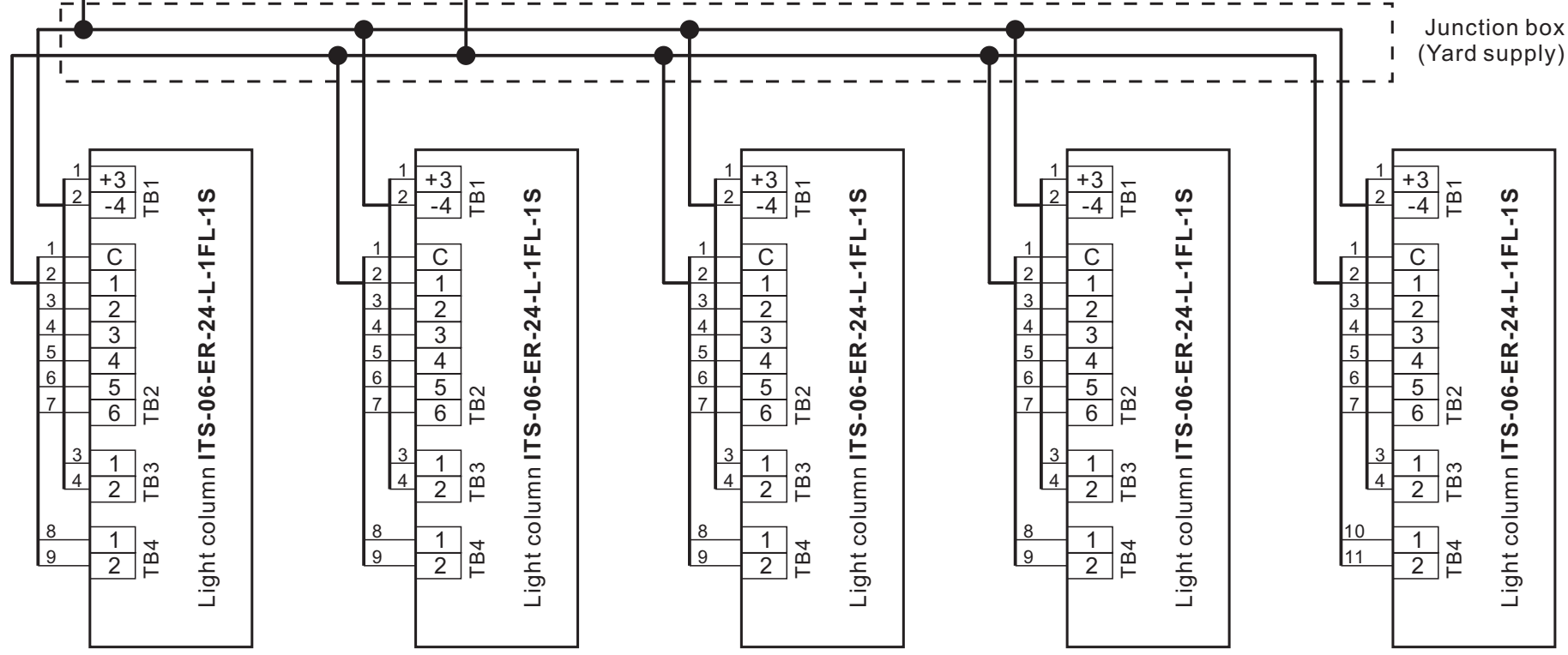
Max. current consumption (when all alarms occur): 0.83A/230VAC
 Avg. current consumption (when 3 non-critical alarms occur): 0.73A/230VAC

Max. current consumption (when all alarms occur): 6.5A/24VDC
 Avg. current consumption (when 3 non-critical alarms occur): 5.6A/24VDC

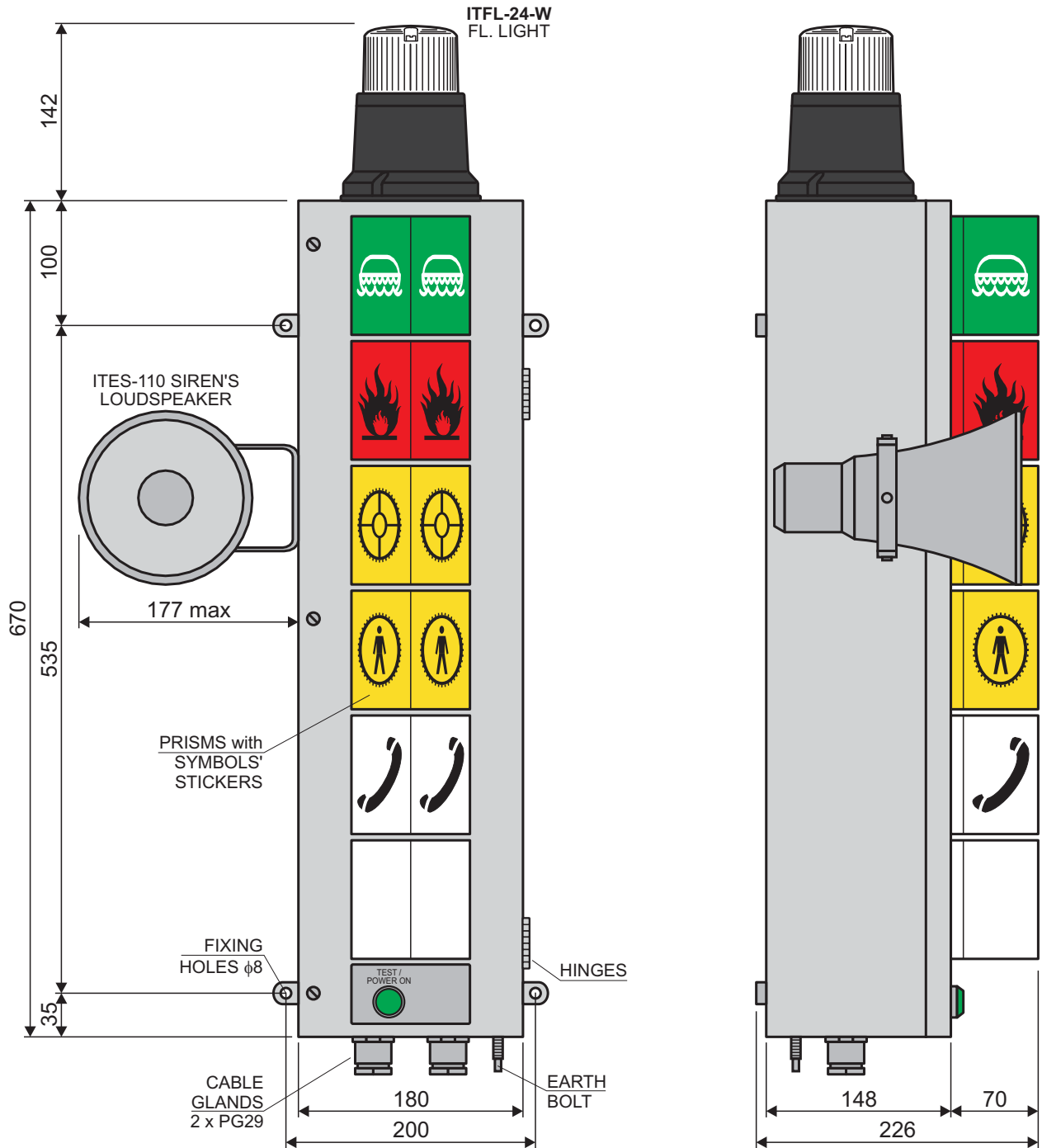


Current consumption, for each light column:
 WIRES 1,2: 0.36A/24VDC (power supply, when all symbols activated)
 WIRES 3,4: 0.5A/24VDC (fl. light)

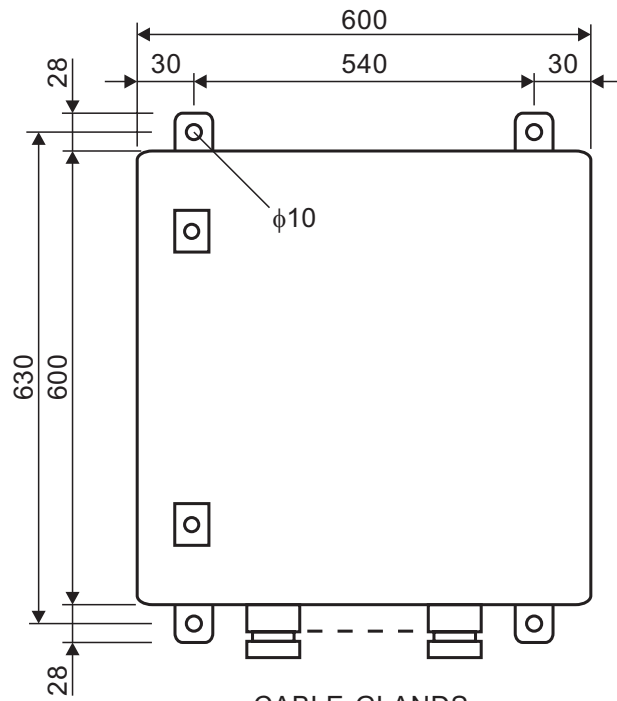
Current consumption, for each light column:
 WIRE 1: 0.36A/24VDC (common for symbols, when all symbols activated)
 WIRES 2-7: 0.06A/24VDC (symbols)
 WIRES 8-11 - audio signals to ITES sirens' loudspeakers



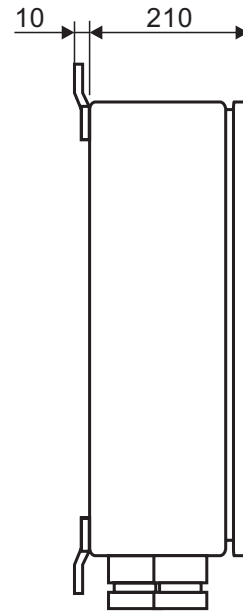
Rev		Changes	Date/Sign	Project	Date	Name	Title:
				Constr.	21.05.15	Aleksić	ENGINE ROOM SIGNALIZATION SYSTEM
				Check			Connection diagram
This drawing is the property of INELTEH d.o.o. and must not be reproduced, copied or distributed, entirely or in part, without written permission of INELTEH d.o.o.				INELTEH ENGINEERING FOR ELECTRONIC EQUIPMENT AND SYSTEMS		Identity:	File: ER Signalization, conn, Marin Supply, I-15182-1.cdr
							Page/of 1/1



			Date	Name	Title: LIGHT COLUMN type ITS-06-ER-24-L-1FL-1S Front view and outlines
			Project.		
			Constr.	21.05.15 Aleksić	
			Check		
Rev	Changes	Date/Sign			
This drawing is the property of INELTEH d.o.o. and must not be reproduced, copied or distributed, entirely or in part, without written permission of INELTEH d.o.o.					
			Identity:	File: ITS-06-ER-24-L-1FL-1S, out, Marin Supply, I-15182-1.cdr	Page/of 2/2



CABLE GLANDS:
7 x PG13.5, 2 x PG21,
2 x PG29



LEAVE 700mm FOR
DOOR OPENING

			Date	Name	Title: CONTROL UNIT type ITCU-6 Outlines
			Project.		
			Constr.	21.05.15 Aleksić	
			Check		
Rev	Changes	Date/Sign			Identity:
<small>This drawing is the property of INELTEH d.o.o. and must not be reproduced, copied or distributed, entirely or in part, without written permission of INELTEH d.o.o.</small>					File: ITCU-6, outlines, Marin Supply, I-15182-1.cdr