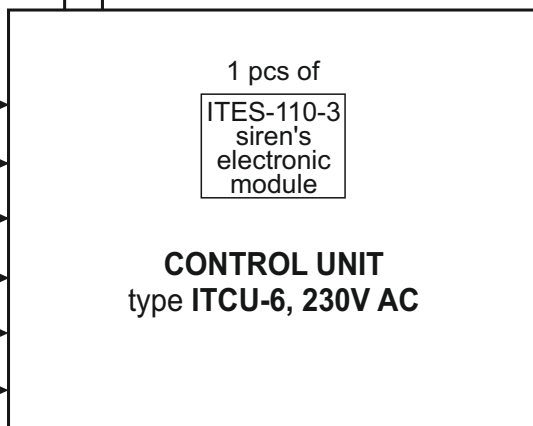
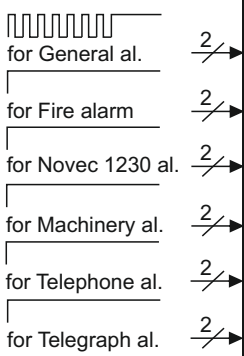
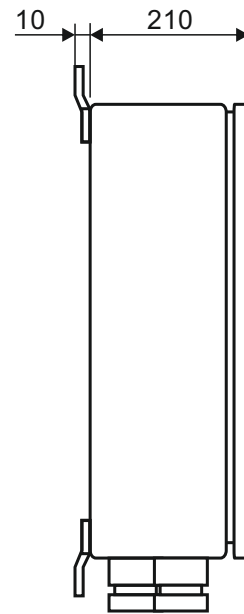
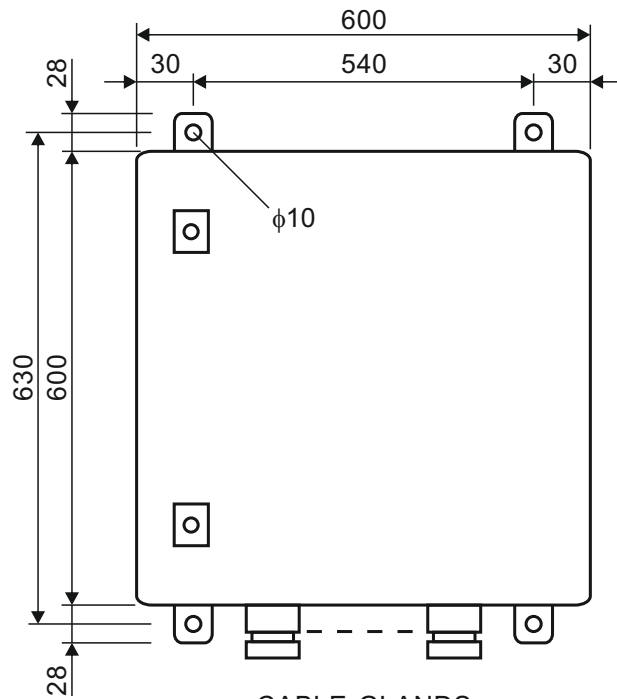


N.O. voltage free input contacts




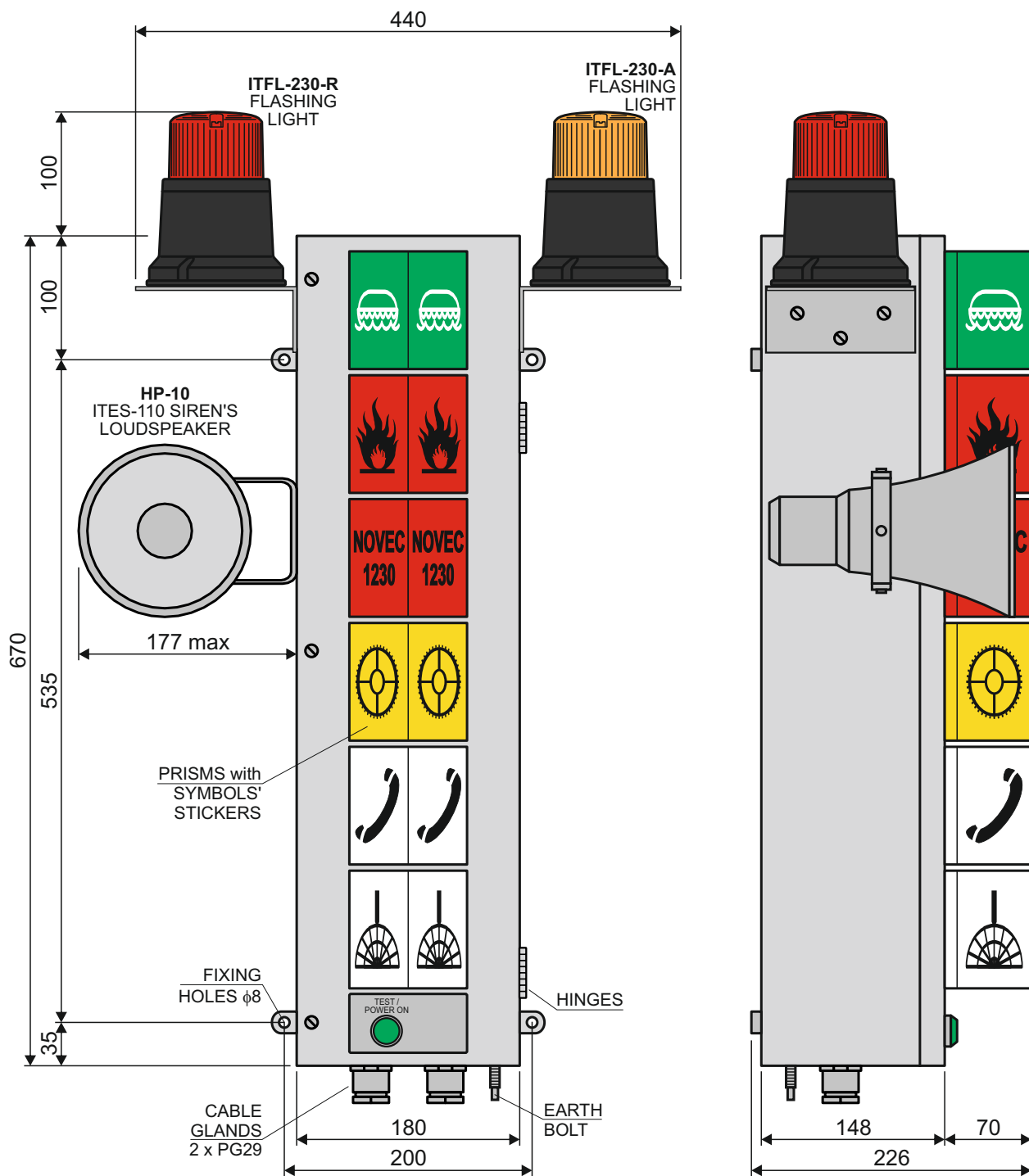
***NOTE: Input contact for General alarm should follow general alarm sequence waveform (7 short and 1 long).

			Date	Name	Title: ENGINE ROOM SIGNALIZATION SYSTEM Block diagram
			Project.		
			Constr.	08.12.14. Aleksić	
			Check		
Rev	Changes	Date/Sign			
<p>This drawing is the property of INELTEH d.o.o. and must not be reproduced, copied or distributed, entirely or in part, without written permission of INELTEH d.o.o.</p>					
			Identity:	File: ER Signalization, block, Marin Supply, I-14779.cdr	Page/of 1/4

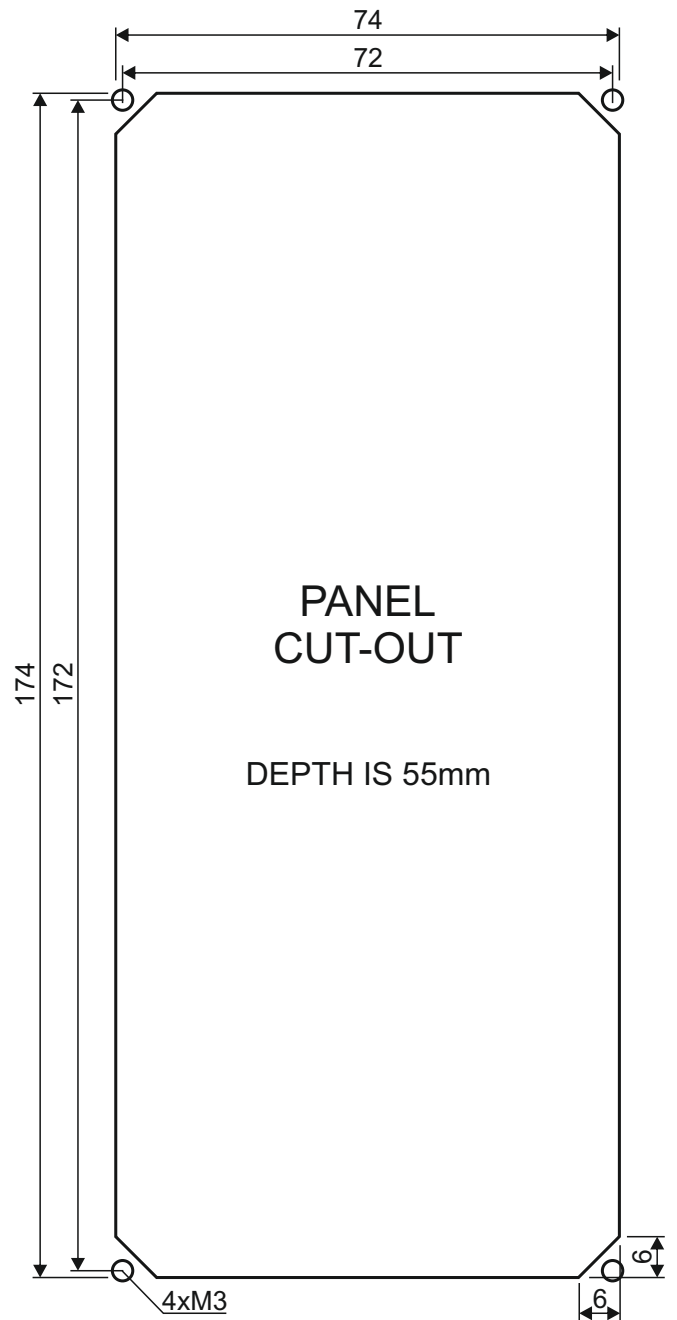


LEAVE 700mm FOR
DOOR OPENING

			Date	Name	Title: CONTROL UNIT type ITCU-6 Outlines
			Project.		
			Constr.	08.12.14. Aleksić	
			Check		
Rev	Changes	Date/Sign	 ENGINEERING FOR ELECTRONIC EQUIPMENT AND SYSTEMS		
<small>This drawing is the property of INELTEH d.o.o. and must not be reproduced, copied or distributed, entirely or in part, without written permission of INELTEH d.o.o.</small>					
			Identity:	File: ITCU-6, outlines, Marin Supply, I-14779.cdr	Page/of 2/4



			Date	Name	Title: LIGHT COLUMN type ITS-06-ER-230-2FL-1S Front view and outlines
			Project.		
			Constr.	08.12.14. Aleksić	
			Check		
Rev	Changes	Date/Sign			
This drawing is the property of INELTEH d.o.o. and must not be reproduced, copied or distributed, entirely or in part, without written permission of INELTEH d.o.o.					
			Identity:	File: ITS-06-ER-230-2FL-1S, out, Marin Supply, I-14779.cdr	Page/of 3/4



			Date	Name	Title: LIGHT PANEL type ITS-06-CR Front view and outlines
		Project.			
		Constr.	08.12.14.	Aleksić	
		Check			
Rev	Changes	Date/Sign			Identity:
<small>This drawing is the property of INELTEH d.o.o. and must not be reproduced, copied or distributed, entirely or in part, without written permission of INELTEH d.o.o.</small>					File:
					Page/of 4/4