

# PYRA FLASHING LIGHT 10 J PY X-M-10

**NEW**



- safe – an incorrect installation is virtually impossible
- easy – significantly shorter assembly and installation times
- economical – largest possible signaling range due to effective XENON technology
- installation options with external lugs or internal holes
- choice of four different flash rates via DIP switch
- suitable for panel mounting
- electronic constant current regulation at 24 V AC/DC devices to avoid load fluctuations
- integrated inrush current limitation and undervoltage detection
- providing full synchronization on multi-flashing light systems



Covering distance as per EN 54



Protection system



Impact-proof housing



Operating temperature



pending



pending



pending



Sync



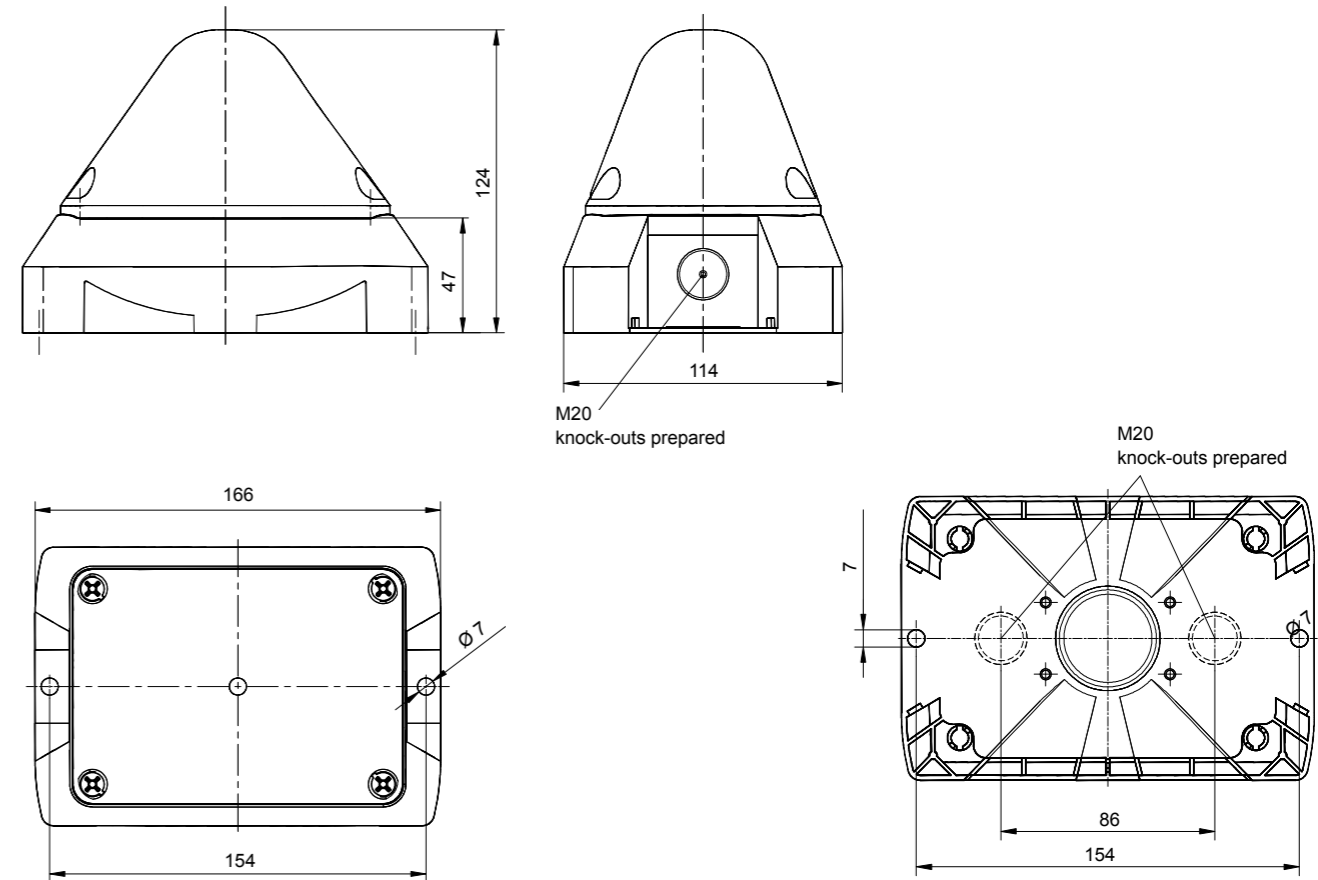
Ilim

| Electrical data                    | PY X-M-10   |            |                                  |
|------------------------------------|-------------|------------|----------------------------------|
| Rated voltage                      | 230 V AC    | 115 V AC   | 24 V AC/DC                       |
| Rated frequency                    | 50 / 60 Hz  | 50 / 60 Hz | 50 / 60 Hz / DC                  |
| Operating range                    | 187 – 255 V | 90 – 135 V | AC: 18 – 30 V<br>DC: 10 – 60 V   |
| Nominal current consumption @ 1 Hz | 150 mA      | 240 mA     | AC: 1000 mA<br>DC: 540 mA @ 24 V |

| Mechanical data                         | PY X-M-10  |                    |
|---|--|--------------------|
| Flash rate                              | 0.1 / 0.5 / 0.75 / 1 Hz (DIP switch)                                   |                    |
| Flash energy                            | 10 J   |                    |
| Light intensity (DIN 5037) <sup>1</sup> | 118 cd   |                    |
| Lens colours                            | clear, white, yellow, amber, red, green, blue                          |                    |
| Operating temperature                   | - 40 °C ... + 55 °C  |                    |
| Storage temperature                     | - 40 °C ... + 70 °C  |                    |
| Relative humidity                       | max. 90%   |                    |
| Protection system according to EN 60529 | IP 66  |                    |
| Protection class                        | II   |                    |
| Duty cycle                              | 100%   |                    |
| Service life of the flash tube          | light emission still 70% after 8,000,000 flashes                       |                    |
| Material                                | lens   | polycarbonate (PC) |
|   | housing  | PC / ABS           |
| Housing colours                         | RAL 3000 (flame red) / RAL 7035 (light grey) / RAL 9003 (signal white) |                    |
| Cable entry                             | 2 x M20 on side, 2 x M20 on bottom                                     |                    |
| Integrated seal with cable entry        | 6 – 13 mm  |                    |
| Connecting terminals                    | 2.5 mm <sup>2</sup> fine wire, AWG 16                                  |                    |
| Weight                                  | 440 g  |                    |

<sup>1</sup> with a clear lens

## Dimensions



## Ordering details

| Article numbers |               | PY X-M-10 – housing red |                 |                              |
|-----------------|---------------|-------------------------|-----------------|------------------------------|
| Lens colour     | Rated voltage | 230 V AC                | 115 V AC        | 24 V AC/DC                   |
| clear           |               | 215 51 10 1 000         | 215 51 15 1 000 | 215 51 81 1 000 <sup>1</sup> |
| yellow          |               | 215 51 10 3 000         | 215 51 15 3 000 | 215 51 81 3 000              |
| red             |               | 215 51 10 5 000         | 215 51 15 5 000 | 215 51 81 5 000 <sup>1</sup> |

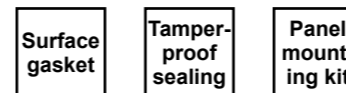
  

| Article numbers |               | PY X-M-10 – housing grey |                 |                              |
|-----------------|---------------|--------------------------|-----------------|------------------------------|
| Lens colour     | Rated voltage | 230 V AC                 | 115 V AC        | 24 V AC/DC                   |
| clear           |               | 215 51 10 1 055          | 215 51 15 1 055 | 215 51 81 1 055 <sup>1</sup> |
| yellow          |               | 215 51 10 3 055          | 215 51 15 3 055 | 215 51 81 3 055              |
| red             |               | 215 51 10 5 055          | 215 51 15 5 055 | 215 51 81 5 055 <sup>1</sup> |

Article numbers for other colours and voltages on request

<sup>1</sup> version with EN 54-23 approval

## Options / Accessories



See page 105 for further information

## Conformity to standards

The visual characteristics of flashing lights conform to the European standard DIN EN 842: "Machine safety - visual alarm signals". Requirements contained in the DIN EN 981 standard: "Machine safety - system of acoustic and visual alarm and information signals", can be fulfilled. The colours 'red' for the emergency signal and 'yellow' for the warning signal conform to the requirements of IEC 73 / DIN EN 60073 / VDE 0199: "Coding of display devices and control elements using colours and supplementary means".

References to visual alarm devices can be found in the following standards:  
 EN 60825-1 Radiation safety of laser devices, identical to IEC 825 and DIN-VDE 0837  
 DIN EN 54 Fire alarm systems  
 DIN 54113-2 Radiation protection regulations for the technical operation of X-ray equipment up to 500 kV