

# Technical Data:

Actuation:	indirect
Switching function:	normally closed or normally open
Port Sizes:	G 1/4 – G 2
Pressure range:	0.1 – 16 bar; G 1 1/4 – G 2: 0.1 – 10 bar
Fluid temperature:	-10 °C to +90 °C
Ambient temperature:	-10 °C to +50 °C
Mounting position:	optional
Seat seal:	NBR (Perbunan)
Internal parts:	stainless steel, PVDF

Advantages:	<ul style="list-style-type: none"> <li>- damped closing</li> <li>- solenoid can be changed without tools</li> <li>- low power consumption</li> <li>- DC/AC version</li> </ul>
-------------	---

Further options:	<ul style="list-style-type: none"> <li>- manual override</li> <li>- degreased version</li> <li>- normally open</li> <li>- EEx solenoid</li> <li>- latching coil</li> </ul>
------------------	--

#### Order No.:

DN	Port Sizes	Order No.	Option XX		
			NBR max. +90 °C	FPM max. +110 °C	EPDM max. +110 °C
8	G 1/4	82 400 XX.9101	00	03	14
	1/4" NPT	82 410 XX.9101			
10	G 3/8	82 401 XX.9101	00	03	14
	3/8" NPT	82 411 XX.9101			
12	G 1/2	82 402 XX.9101	00	03	14
	1/2" NPT	82 412 XX.9101			
20	G 3/4	82 403 XX.9101	00	03	14
	3/4" NPT	82 413 XX.9101			
25	G 1	82 404 XX.9101	00	03	14
	1" NPT	82 414 XX.9101			
32	G 1 1/4	82 405 XX.9101	00	03	14
	1 1/4" NPT	82 415 XX.9101			
40	G 1 1/2	82 406 XX.9101	00	03	14
	1 1/2" NPT	82 416 XX.9101			
50	G 2	82 407 XX.9101	00	03	14
	2" NPT	82 417 XX.9101			

Buschjost and the picture are registered trademarks of the IMI Norgren Buschjost GmbH + Co. KG, Germany.

The new Click-on® solenoid valves:  
**For a safe and reliable control of many fluids**  
**Port Sizes 1/4 to 2 – G and NPT**



D 603602-6/00. Subject to change

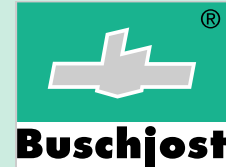
IMI NORGREN BUSCHJOST GMBH + CO. KG

Detmolder Straße 256  
D-32545 Bad Oeynhausen

PO Box 100252-53  
D-32502 Bad Oeynhausen

Phone ++49 5731/7 91-0  
Fax ++49 5731/7 91-179

http://www.buschjost.com  
mail@buschjost.de



a subsidiary of IMI plc **IMI**

Valve Technology and Systems





# New Generation of Diaphragm Valves – Indirectly Actuated for Flexibility of Application.



**New, compact design**  
Optional installation position, requires little space, few parts

**Reliability**  
Long service life and reliable switching

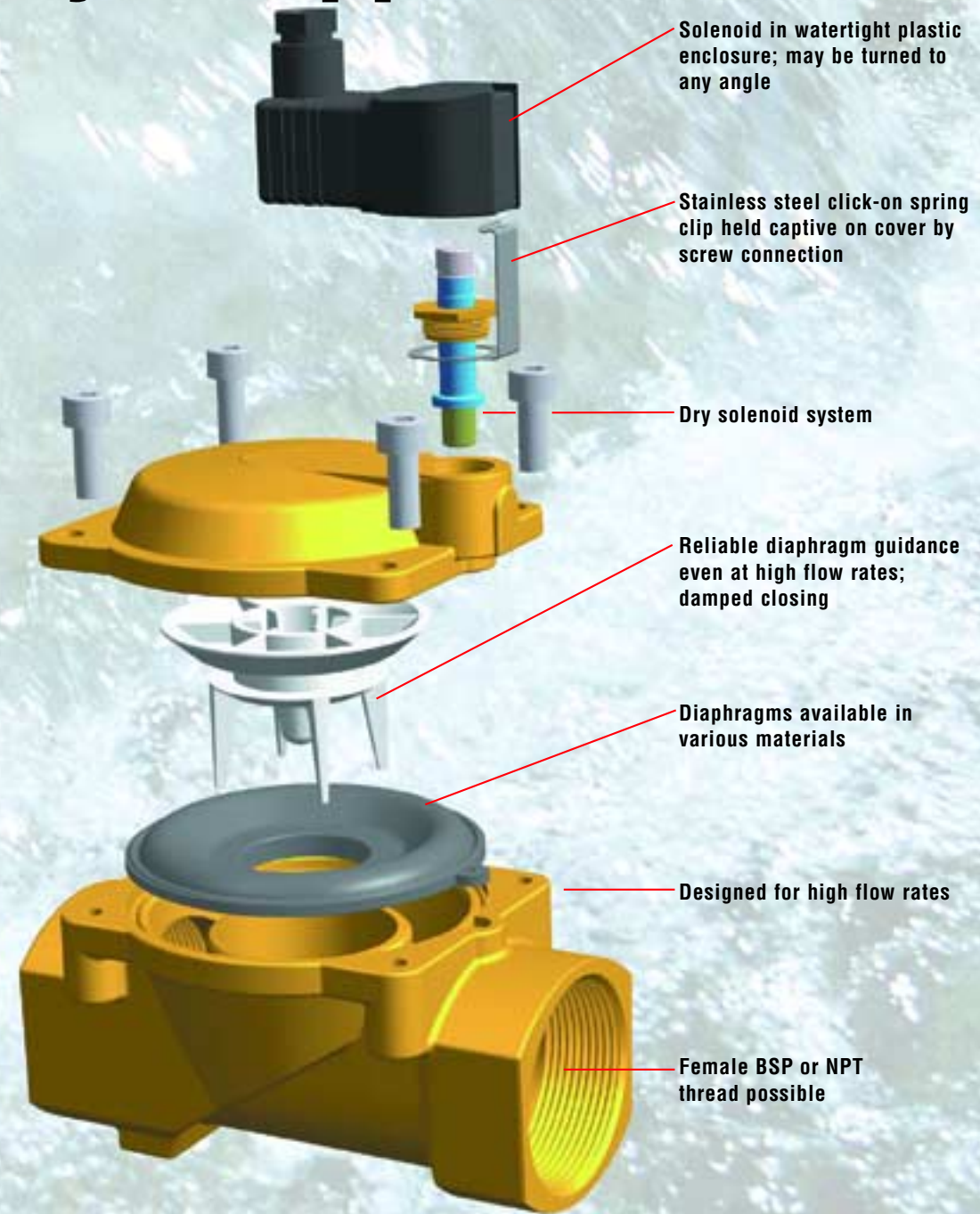
**New solenoid design**  
Top of solenoid completely sealed; no visible metal parts, IP65 protection

**Threaded connection**  
Reach to international standards

**Fitting solenoid**  
Solenoid can be fitted and removed from valve without tools

**Design**  
Valves are designed to international safety regulations

**Flow**  
Optimised range offers excellent flow rates



Solenoid in watertight plastic enclosure; may be turned to any angle

Stainless steel click-on spring clip held captive on cover by screw connection

Dry solenoid system

Reliable diaphragm guidance even at high flow rates; damped closing

Diaphragms available in various materials

Designed for high flow rates

Female BSP or NPT thread possible

The new 82400 series valves are a compact diaphragm design, internally actuated by a eccentric (solenoid) pilot valve

The normally closed, indirectly actuated valve, with connections from G 1/4 to G 2, requires a minimum pressure differential of **only 0.1 bar** to operate properly!

The various options allow this series to be used for a wide variety of processes handling different gases and fluids.

The technically impressive flow rates achieved with such a compact valve are attributable to a solenoid system that is the only one of its type in the world, and its overall design.

The solenoid can be readily fitted and replaced without tools. Buschjost's new captive Click-on® spring clip saves all the time normally lost with screws, nuts or other fiddly fastenings!



G 1/4 up to G 2



**Buschjost**