

H110TR Trumpet Horn & Rotating Beacon

The H110T is a very high output electronic signal horn capable of generating a traditional 'buzzer' warning tone traditionally associated with electro-mechanical signals.

The H110TR incorporates the H110T with a halogen rotating beacon. It is available in six lens colours and operating voltages from 12V dc to 230V ac.

Part codes:

Version:	Wattage:	Part code:
12V dc	20W	H110TR012G/*
24V dc	20W	H110TR024G/*
115V ac	25W	H110TR115G/*
230V ac	25W	H110TR230G/*

* = Lens colour:
 A: Amber
 B: Blue
 C: Clear
 G: Green
 R: Red
 Y: Yellow

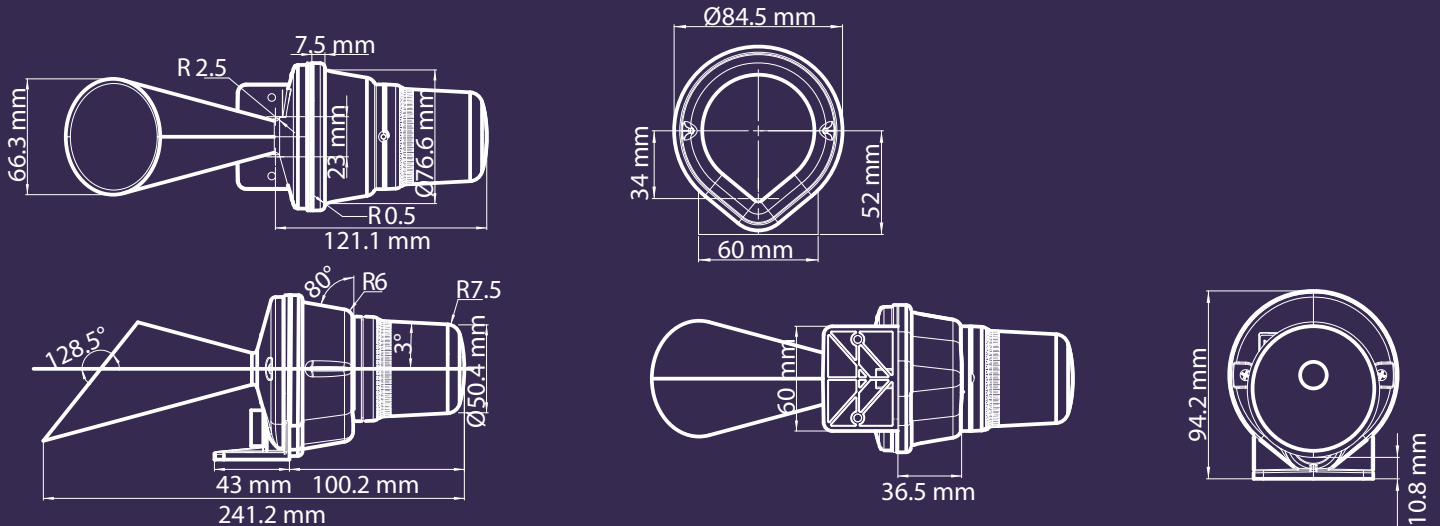
Spare bulb/lamp part codes:

Version:	Wattage:	Type:	Part code:
12V dc	20W	G6,35/GY6,35	BJC20W12VCL
24V dc	20W	G6,35/GY6,35	BJC20W24VCL
115V ac	25W	G6,35/GY6,35	BJCD25W120VCL
230V ac	25W	G6,35/GY6,35	BJCD25W230VCL

Features:

- Volume control.
- Stainless steel fixings.
- Bayonet fixing lens.
- Anti-tamper locking screw.



**Specification:**

Horn:	
No. of tones:	3
Output:	110 dB(A) @ 1m
Stages:	Remotely selectable second stage
Beacon:	
Light source:	Halogen Lamp G6,35/GY6,35
Light output:	20/25W
Peak Candela:	821 cd
Effective Intensity cd:	125 cd*
Rotation speed:	180RPM (+/-30RPM)
Drive life:	>5,000 hrs
Duty cycle:	100%
Lens colours:	Amber, Blue, Clear, Green, Red & Yellow
Lens type:	Plain
General:	
Dimensions:	462.9 x 135mm
Mounting:	Surface mount
Entries:	1 x 5-7mm push through grommet
Ingress protection:	IP65
Housing material:	High impact ABS (UL94V0 & 5VA)
Lens material:	High impact PC (UL94V0 f1)
Terminals:	0.5 to 1.5mm ²
Operating temperature:	-25 to +50°C
Storage temperature:	-40 to +70°C
Relative humidity:	90% at 20°C.
Weight:	678g

*SPL data +/-3dB(A). Measured at optimum voltage.

*Candela measurements representative of performance with clear lens at optimum voltage.

Horn current consumption:

Version:	Voltage:	Current mA:
12V dc	12V dc	52mA
24V dc	24V dc	105mA
115V ac	115V ac 50/60Hz	36mA
230V ac	230V ac 50/60Hz	18mA

Beacon current consumption:

Version:	Voltage:	Current mA:
12V dc	12V dc	1.72A
24V dc	24V dc	910mA
115V ac	115V ac 50/60Hz	216mA
230V ac	230V ac 50/60Hz	117mA

Tone table:

Tone:	Description:	SPL (dB(A) @ 1m):	Second stage tone:
1	Buzzer Sound	110.0 dB(A)	Tone 2
2	1200/500Hz @ 1Hz - DIN	109.0 dB(A)	Tone 1
3	800/1000Hz & 7Hz	108.5 dB(A)	Tone 2