

## Radio multifunction handle

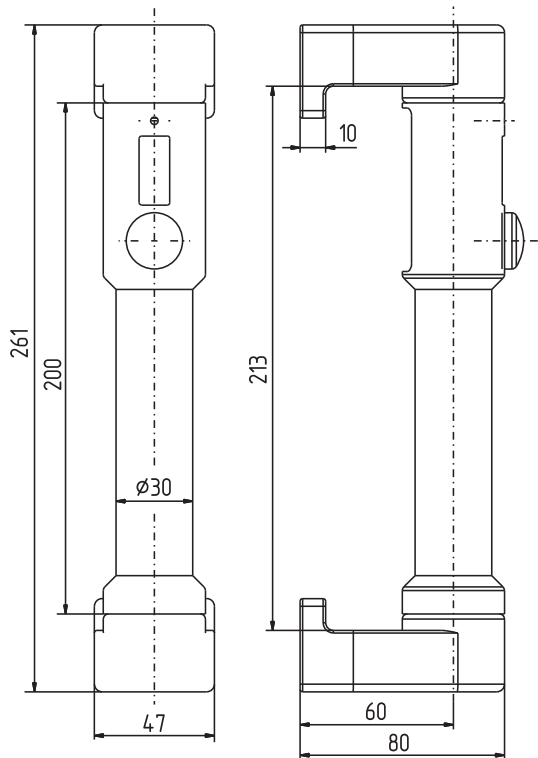
// RF TG-S xxx EN868 Order no.: 97955914

### Features/options


- Thermoplastic enclosure
- Enabling push button
- Integrated solar cell, no battery/rechargeable battery required
- Output signal to be configured individually at the receiver
- EnOcean-protocol

- Data rate 120 kbps
- No wiring and pipe laying required
- Multi-network capable
- Easy programming of receiver

### Dimensions



### Technical Data

<b>Standards</b>	EN 60947-5-1; EN 61000-6-2; EN 301 489-1; EN 301 489-3; EN 300 220-2
<b>Enclosure</b>	glass-fibre reinforced, shock-proof thermoplastic, POM
<b>Degree of protection</b>	IP 67 per IEC/EN 60529
<b>Switching system</b>	push button
<b>Protocol</b>	EnOcean
<b>Ambient temperature</b>	-20 °C ... +65 °C
<b>Switching frequency</b>	approx. 9000 telegrams at repetitions/h
<b>Voltage supply</b>	Solar cell
<b>Frequency</b>	868.3 MHz
<b>Transmission power</b>	max. 10 mW
<b>Data rate</b>	120 kbps
<b>Bandwidth channel</b>	280 kHz
<b>Sensing range</b>	max. 300 m outside, max. 30 m inside
<b>Mechanical life</b>	> 1 million operations
<b>Power consumption in sleep mode</b>	approx. 25 nA
<b>Switching on with empty energy supply</b>	< 10 min at 400 lx
<b>Charging time with empty energy supply</b>	approx. 6 h at 400 lx, approx. 1.5 h at 1000 lx
<b>Charging time at operation limit</b>	1 h at 400 lx, approx. 15 min at 1000 lx
<b>Operation time in darkness</b>	approx. 48 h, with presence signal every 3h, when the goldcap is totally charged at 1000 lx
<b>Approvals</b>	
<b>Weight</b>	450g

Errors and omissions excepted.