

Multifunction handle

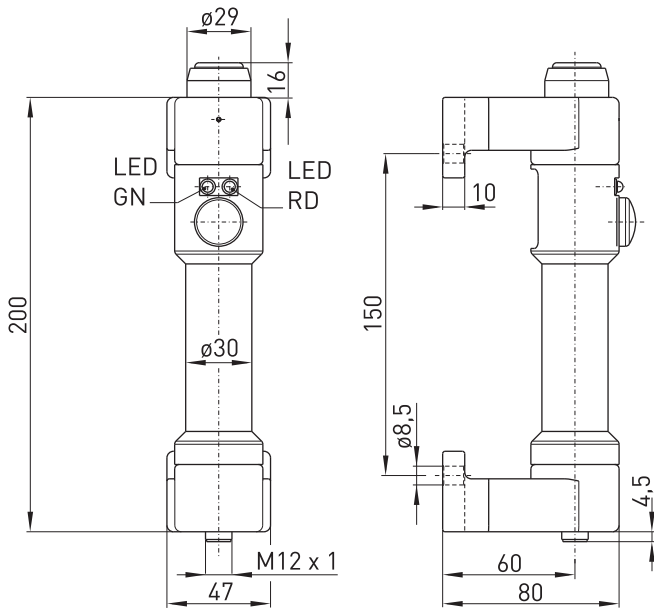
// TG-S GR x SG Order no.: 97955902

Features/Options

- Green enlightened start push-button: 1 NO contact, glow lamp
- Green and red LED
- Green enabling push-button: 1 NO contact

- Protection class IP 65
- With plug-in connector M12 x 1, 8-poles

Dimensions



Technical data

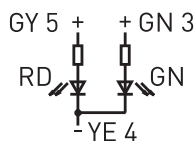
Standards	IEC/EN 60947-5-1
Enclosure	Glassfibre reinforced, shockproof thermoplastic, POM
Protection class	IP 65 per IEC/EN 60529
Termination	Plug-in connector, A-coded
U _e LEDs	max. 24VDC +10%
U _c	0,1 VAC/DC ... 25VAC/42VDC
Rated switching current	max. 0,1 A AC/DC
Rated switching capacity	max. 0,6 W
Degree of pollution	3
Mechanical life	> 1 milion operations
Ambient temperature	-25 ... +55 °C

Errors and omissions excepted.

Contact variants

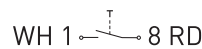
TG-S GR x SG

LEDs

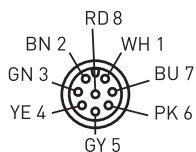


LEDs

Enabling push-button

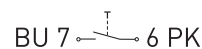


Plug-in configuration (view from plug side)



Plug-in configuration (view from plug side)

Start push-button, enlightened



Multifunction handle

// TG-S GR x SG Order no.: 97955902

TG-S GR x SG

Start push-button, enlightened

