

Radio multifunction handle

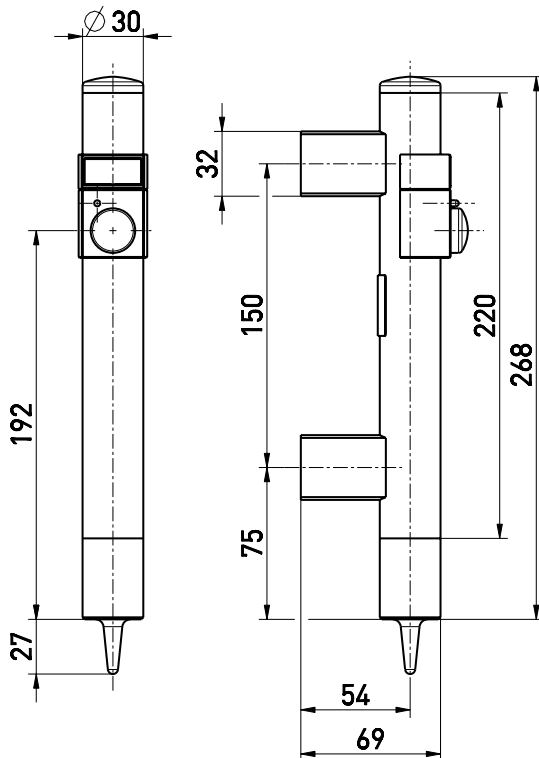
// RF TGM-S xxx EN868 Order no.: 97955001

Features/options

- Metal enclosure
- Enabling push button
- Integrated solar cell, no battery/rechargeable battery required
- Output signal to be configured individually at the receiver
- EnOcean-protocol

- Data rate 120 kbps
- No wiring and pipe laying required
- Multi-network capable
- Easy programming of receiver

Dimensions



Technical Data

Standards

EN 60947-5-1; EN 61000-6-2;
EN 301 489-1; EN 301 489-3;
EN 300 220-2

Enclosure

Stainless steel V2A (1.4301)

Degree of protection

IP 67 per IEC/EN 60529

Switching system

push button

Protocol

EnOcean

Ambient temperature

-20 °C ... +65 °C

Switching frequency

approx. 9000 telegrams at
repetitions/h

Voltage supply

Solar cell

Frequency

868.3 MHz

Transmission power

max. 10 mW

Data rate

120 kbps

Bandwidth channel

280 kHz

Sensing range

max. 300 m outside,
max. 30 m inside

Mechanical life

> 1 million operations

Power consumption in sleep mode

approx. 25 nA

Switching on with empty energy supply

< 10 min at 400 lx

Charging time with empty energy supply

approx. 6 h at 400 lx,
approx. 1.5 h at 1000 lx

Charging time at operation limit

1 h at 400 lx,
approx. 15 min at 1000 lx

Operation time in darkness

approx. 48 h, with presence signal
every 3h, when the goldcap is
totally charged at 1000 lx

Approvals



Weight

550g

Errors and omissions excepted.