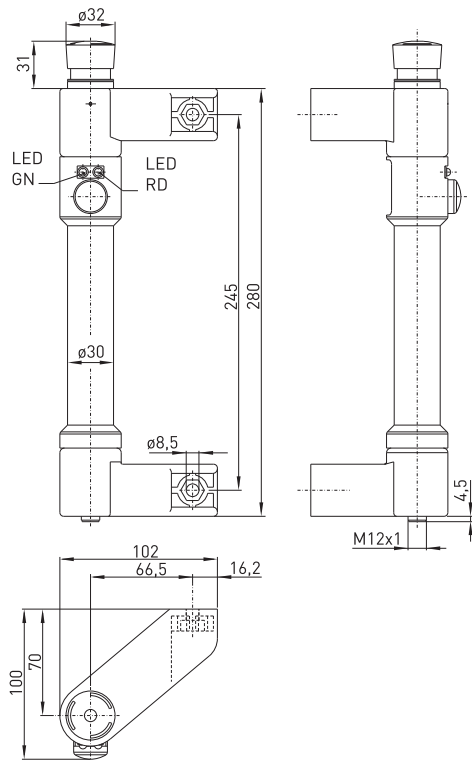


## Multifunction handle // TG-W GR 10 x    Order no.: 97755901

### Features/Options

- Variant for left-hinged doors
- Emergency-stop push-button: 1-channel ☹
- Emergency-stop push-button per EN 418
- Green and red LED
- Green enabling push-button: single break change-over
- Protection class IP 65
- With plug-in connector M12 x 1, 8-poles

### Dimensions



### Technical data

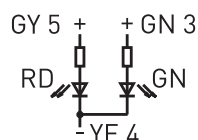
<b>Standards</b>	IEC/EN 60947-5-1
<b>Enclosure</b>	Glassfibre reinforced, shockproof thermoplastic, POM
<b>Protection class</b>	IP 65 per IEC/EN 60529
<b>Termination</b>	Plug-in connector, A-coded
<b>U<sub>e</sub> LEDs</b>	max. 24VDC +10%
<b>U<sub>c</sub></b>	0,1 VAC/DC ... 25VAC/42VDC
<b>Rated switching current</b>	max. 0,1 A AC/DC
<b>Rated switching capacity</b>	max. 0,6 W
<b>Degree of pollution</b>	3
<b>Mechanical life</b>	> 1 milion operations
<b>Ambient temperature</b>	-25 ... +55 °C

Errors and omissions excepted.

### Contact variants

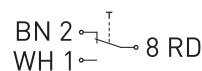
#### TG-W GR 10 x

##### LEDs

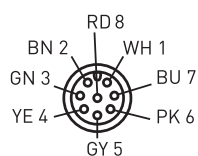


##### LEDs

##### Enabling push-button



##### Plug-in configuration (view from plug side)



##### Plug-in configuration (view from plug side)

##### Emergency-stop push-button

