

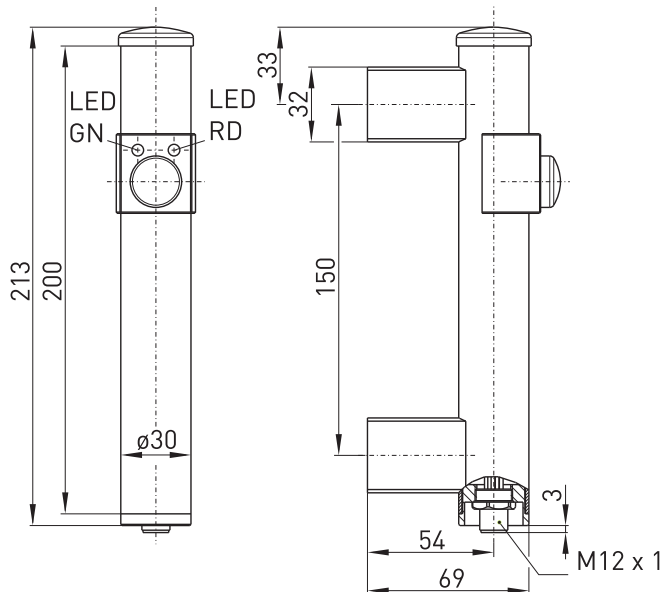
## Multifunction handle // TGM-ÖS GR xx Order no.: 97155003

### Features/Options

- Stainless steel V2A
- Green and red LED
- Blue enabling push-button: 1 NC/ 1 NO

- Protection class IP 67
- With plug-in connector M 12 x 1, 8-poles

### Dimensions



### Technical data

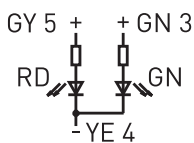
Standarts	IEC/EN 60947-5-1
Enclosure	Stainless steel 1.4301 (V2A)
Degree of protection	IP 67 to IEC/EN 60529
Connection	With plug-in connector M 12 x 1, A-coded
$U_e$ LEDs	max. 24 VDC +10%
$U_c$	0.1 V AC/DC ... 25 VAC/42VDC
Rated operating current	max. 0,1 A AC/DC
Rated switching capacity	max. 0.6 W
Degree of pollution	3
Mechanical life	> 1 million operations
Ambient temperature	-25 ... +55 °C

Errors and omissions excepted.

### Contact variants

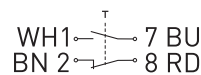
#### TGM-ÖS GR xx

##### LEDs



##### LEDs

##### Enabling push-button



#### Plug-in configuration (view from plug side)

