

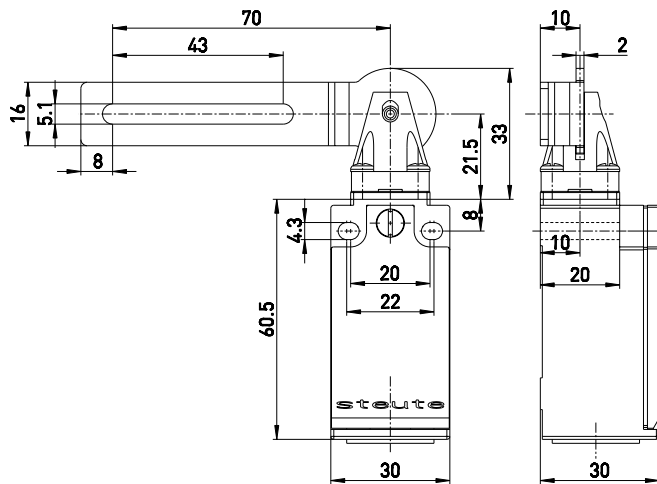
Safety switches for hinged guard doors // ES 95 T5C 10/1S Order no.: 95065001

Features/Options

- Thermoplastic enclosure
- Double insulated \square
- Slow action \ominus , change-over contact with double break
- Cable entry M20 x 1.5

- Wiring compartment
- Mounting details to DIN EN 50 047
- Transversely slotted mounting holes
- Actuator heads can be repositioned in 4 x 90° steps

Dimensions

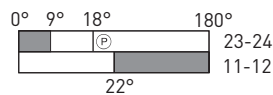


Technical data

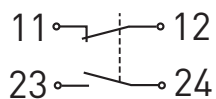
Standards	EN ISO 13849-1; IEC/EN 60947-5-1; EN 1088; BG-GS-ET-15
Enclosure	glass-fibre reinforced, shock-proof thermoplastic, self-extinguishing UL 94-V0 stainless steel 1. 4301
Actuator	
Degree of protection	IP 67 to IEC/EN 60529
Contact material	silver
Switching system	slow action, positive break NC contacts \ominus
Switching elements	change-over contact with double break Zb, galvanically separated contact bridges
Connection	M3 screw terminals
Cable section	max. 1.5 mm ² (incl. conductor ferrules)
B_{10d} (10% Load)	2 million
T_M	max. 20 years
U_{imp}	4 kV
U_i	400 V
I_{the}	6 A
I_e/U_e	6 A/400 VAC; 0,25 A/230 VDC
Utilisation category	AC-15, DC-13
Max. fuse rating	6 A gL/gG D-fuse
Ambient temperature	-20 °C ... +80 °C
Mechanical life	> 1 million operations
Weight	95g

Switching diagram

Slow action
1 NC/1 NO contact



Contact diagram



Errors and omissions excepted.