



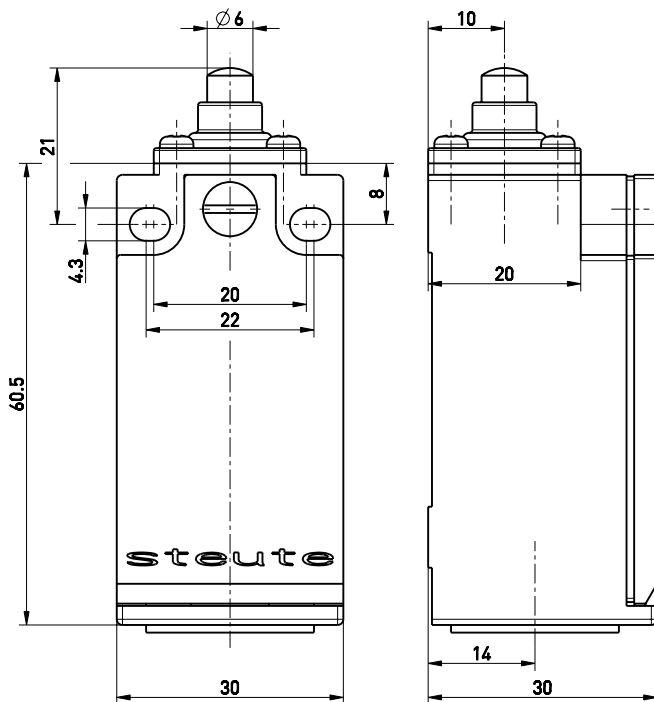
Position switch ES 95 / EM 95

Features/Options

- Thermoplastic enclosure
- Horizontally slotted mounting holes
- Double insulated
- ES 95: Slow action \ominus , change-over contact, change-over contact with overlapping, 2 NC contacts or 2 NO contacts with double break
- EM 95: Snap action, change-over contact with double break
- Snap action with constant contact pressure up to switching point

- Actuator can be repositioned by $4 \times 90^\circ$
- Good resistance to oil and petroleum spirit
- Gold-plated contacts available on request
- Available on request with mechanical latching V: release by means of push-button (only slow action)
- Ex version available
- Corrosion-resistant version with high degree of protection IP 66 available - see chapter [/ES 95 IP66 Niro Extreme >](#)

Dimensions



Technical data

Standards	EN ISO 13849-1; EN 60947-5-1
Design	EN 50047
Enclosure	glass-fibre reinforced, shock-proof thermoplastic, self-extinguishing UL 94-V0
Degree of protection	IP 67 to IEC/EN 60529
Contact material	silver
Switching system	slow or snap action, positive break
Switching elements	NC contacts \ominus change-over contact, 2 NC or 2 NO contacts with double break Zb, galvanically separated contact bridges
Connection	screw connection terminals
Cable cross-section	max. 2.5 mm ² (incl. conductor ferrules)
Cable entry	1 x M20 x 1.5
B _{10d} (10 % Load)	2 million
T _M	max. 20 years
U _{imp}	4 kV
U _i	400 V
I _{the}	6 A
Utilisation category	AC-15; DC-13
I _e /U _e	6 A/400 VAC; 0.25 A/230 VDC; 4 A/24 VDC
Max. fuse rating	6 A gG/gN fuse
Mechanical life	> 1 million operations
Frequency of operation	1800/h
Ambient temperature	-20 °C ... +80 °C
Contact opening	2 x 3.5 mm
Approvals	

Errors and omissions excepted.



Position switch ES 95 / EM 95

Ordering details

Plunger with collar W

* with safety function



Type

ES 95 W 1Ö/1S *
ES 95 W 1S/1Ö UE *
ES 95 W 2Ö *
ES 95 W 2S
EM 95 W 1Ö/1S *

Material no.

1049911
1050169
1050303
1050460
1050060

Roller plunger R

* with safety function



Type

ES 95 R 1Ö/1S *
ES 95 R 1S/1Ö UE *
ES 95 R 2Ö *
ES 95 R 2S
EM 95 R 1Ö/1S *

Material no.

1049925
1050176
1050315
1050467
1050071

Long roller plunger RL

* with safety function



Type

ES 95 RL 1Ö/1S *
ES 95 RL 1S/1Ö UE *
ES 95 RL 2Ö *
ES 95 RL 2S
EM 95 RL 1Ö/1S *

Material no.

1049931
1050180
1050320
1050471
1050077



Position switch ES 95 / EM 95

Ordering details

Roller lever with collar WH

* with safety function



Type

ES 95 WH 1Ö/1S *
ES 95 WH 1S/1Ö UE *
ES 95 WH 2Ö *
ES 95 WH 2S
EM 95 WH 1Ö/1S *

Material no.

1049944
1050185
1050326
1050475
1050084

Metal roller lever with collar WHM

* with safety function



Type

ES 95 WHM 1Ö/1S *
ES 95 WHM 1S/1Ö UE *
ES 95 WHM 2Ö *
ES 95 WHM 2S
EM 95 WHM 1Ö/1S *

Material no.

1049946
1050187
1050328
1050477
1050086

Long metal roller lever with collar WHLM

* with safety function



Type

ES 95 WHLM 1Ö/1S *
ES 95 WHLM 1S/1Ö UE *
ES 95 WHLM 2Ö *
ES 95 WHLM 2S
EM 95 WHLM 1Ö/1S *

Material no.

1049972
1050217
1050360
1050507
1050104



Position switch ES 95 / EM 95

Ordering details

Plastic roller lever with collar 4K

* with safety function



Type

ES 95 4K 1Ö/1S *
ES 95 4K 1S/1Ö UE *
ES 95 4K 2Ö *
ES 95 4K 2S
EM 95 4K 1Ö/1S *

Material no.

1183312
on request
1183439
on request
1185690

Offset metal roller lever with collar WHKM



Type

ES 95 WHKM 1Ö/1S
ES 95 WHKM 1S/1Ö UE
ES 95 WHKM 2Ö
ES 95 WHKM 2S
EM 95 WHKM 1Ö/1S

Material no.

1049983
1050233
1050376
1050523
1050112

Parallel roller lever with collar WPH

* with safety function



Type

ES 95 WPH 1Ö/1S *
ES 95 WPH 1S/1Ö UE *
ES 95 WPH 2Ö *
ES 95 WPH 2S
EM 95 WPH 1Ö/1S *

Material no.

1049995
1050249
1050392
1050539
1050120



Position switch ES 95 / EM 95

Ordering details

Parallel metal roller lever with collar
WPHM

* with safety function



Type
ES 95 WPHM 1Ö/1S *
ES 95 WPHM 1S/1Ö UE *
ES 95 WPHM 2Ö *
ES 95 WPHM 2S
EM 95 WPHM 1Ö/1S *

Material no.
1049997
1050251
1050394
1050541
1050122

Rocking lever D

* with safety function



Type
ES 95 D 1Ö/1S *
ES 95 D 1S/1Ö UE *
ES 95 D 2Ö *
ES 95 D 2S
EM 95 D 1Ö/1S *

Material no.
1050006
1050281
1050426
1050571
1050138

Adjustable rocking lever DS



Type
ES 95 DS 1Ö/1S
ES 95 DS 1S/1Ö UE
ES 95 DS 2Ö
ES 95 DS 2S
EM 95 DS 1Ö/1S

Material no.
1050035
1050295
1050444
1050585
1050153



Position switch ES 95 / EM 95

Ordering details

Spring-rod lever DF



Type

ES 95 DF 1Ö/1S
ES 95 DF 1S/1Ö UE
ES 95 DF 2Ö
ES 95 DF 2S
EM 95 DF 1Ö/1S

Material no.

1050031
1050291
1050440
1050581
1050149

Rod lever DD



Type

ES 95 DD 1Ö/1S
ES 95 DD 1S/1Ö UE
ES 95 DD 2Ö
ES 95 DD 2S
EM 95 DD 1Ö/1S

Material no.

1050022
1050286
1050434
1050577
1050146

Long spring rod TL



Type

ES 95 TL 1Ö/1S
ES 95 TL 2Ö
ES 95 TL 2S
EM 95 TL 1Ö/1S

Material no.

1050043
on request
on request
1050159



Position switch ES 95 / EM 95

Ordering details

Spring rod with plastic tip TK



Type

ES 95 TK 1Ö/1S
ES 95 TK 2Ö
ES 95 TK 2S
EM 95 TK 1Ö/1S

Material no.

1052136
1050448
on request
1050161



Position switch ES 95 / EM 95

Options

Mechanical latching V



Connector M12 x 1, 4-pole

