

## Ex solenoid interlocks

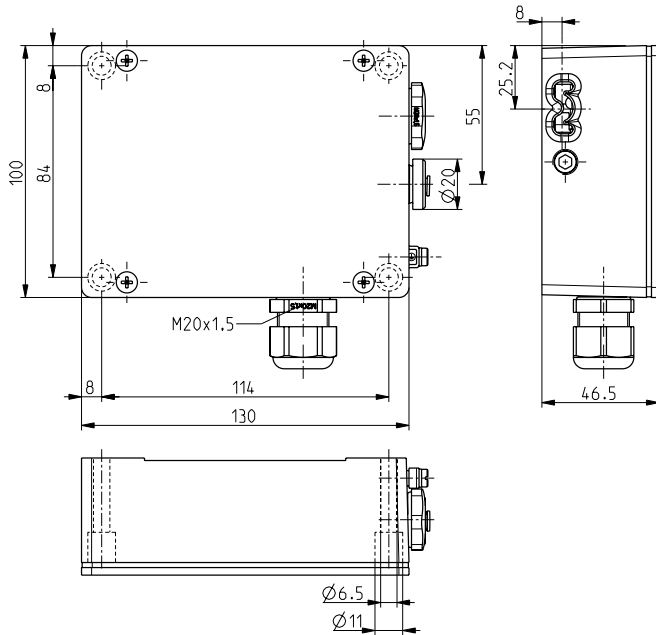
// Ex AZP 415 2Ö/2S Order no.: 94353303

### Features/Options

- Ex zone 1 and 21
- Two Ex switch inserts in one enclosure
- Release by means of pneumatic cylinder
- Problem-free opening of stressed doors by means of bell-crank system

- High holding force 3.500 N
- Ball catch
- N.B.: Please state required approvals for Russia, China and Brazil with your order!

### Dimensions



### Technical data

#### Standards

IEC/EN 60947-5-1; EN 1088;  
EN 50014; EN 50018;  
EN 50019; EN 50281-1-1

#### Enclosure

aluminium die casting, enamelled  
steel, enamelled

#### Cover

metal zinc/aluminium

#### Actuator/locking bolt

Ex 95

#### Switch insert

IP 67 according to IEC/EN 60529

#### Degree of protection

silver

#### Contact material

slow action, positive break NC

#### Switching system

contact  $\ominus$

#### Switching elements

change-over contact with double  
break Zb, galvanically separated  
contact bridges

#### Connection

M3 screw clamps

#### $B_{10d}$ (10% Load)

2 million

#### $T_M$

max. 20 years

#### Cable section

max. 2.5 mm<sup>2</sup> (incl. conductor  
ferrules)

#### Cable entries

2 x M20 x 1.5 for cable section 5 ...  
9 mm

#### $U_{imp}$

4 kV

#### $U_i$

250 V

#### $I_{the}$

6 A

#### $I_e/U_e$

6 A/250 VAC; 0.25 A/230 VDC

#### Utilisation category

AC-15

#### Max. fuse rating

6 A gL/gG D-fuse

#### Unlocking

Pneumatic cylinder, max. 3 - 7 bar  
permitted

#### Ambient temperature

T6: -20 °C ... +40 °C;  
T5: -20 °C ... +55 °C

#### Mechanical life

> 1 million operations

#### Holding force F

max. 3.500 N

#### Holding force of integrated

50 - 200 N, adjustable

#### ball catch

#### Ex marking

Ex II 2G Ex de IIC T6/T5 Gb,

Ex II 2D Ex tb IIIC

T80°C/T95°C Db

IECEx Ex de IIC T6/T5 Gb,

Ex tb IIIC T80°C/T95°C Db

#### Approvals

DMT 02 ATEX E 255 X;

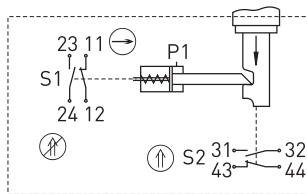
IECEx BVS 07.0018 X



### Switching diagram

#### Spring-to-lock principle

2 NC/2 NO contact



Errors and omissions excepted.