

## Ex belt-alignment switches

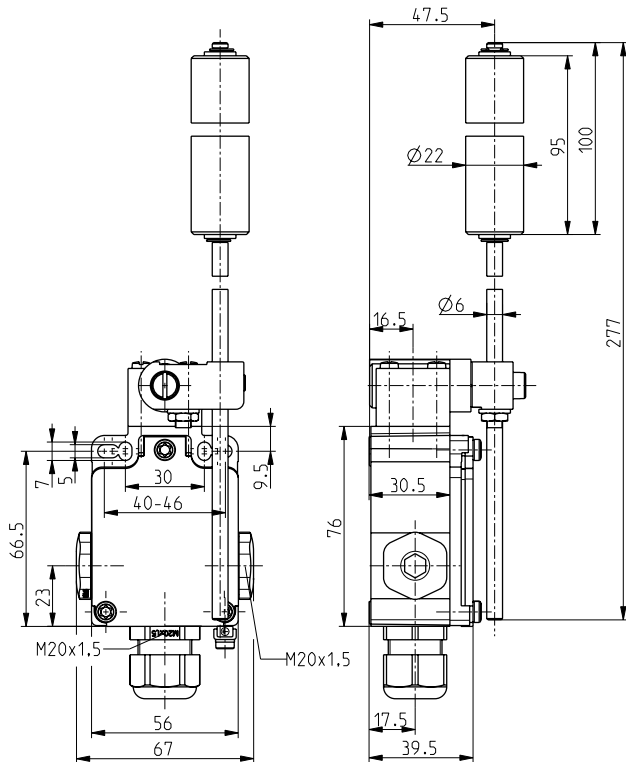
// Ex 355 4VSR 1 NC/1 NO Order no.: 92031301

### Features/Options

- Ex zone 1 and 21
- Metal enclosure
- 2 contacts
- Mounting details to DIN EN 50 041

- Wiring compartment
- Adjustable-length rod lever with nylon roller
- For light- and medium-strength applications
- N.B.: Please state required approvals for Russia, China and Brazil with your order!

### Dimensions



### Technical data

#### Standards

EN 60947-5-1; EN 1088;  
EN 60079-0, EN 60079-1,  
EN 60079-7, EN 60079-31;  
EN ISO 13849-1

#### Enclosure

zinc die casting, enamelled

#### Switch insert

Ex 95

#### Degree of protection

IP 67 to IEC/EN 60529

#### Contact material

silver

#### Switching system

slow action, positive break NC  
contact ⊖

#### Switching elements

change-over contact with double  
break Zb, galvanically separated  
contact bridges

#### Connection

M3 screw clamps

#### Cable section

max. 1.5 mm<sup>2</sup>  
(incl. conductor ferrules)

#### B<sub>10d</sub> (10% load)

2 million

#### T<sub>M</sub>

max. 20 years

#### U<sub>imp</sub>

4 kV

#### U<sub>i</sub>

250 V

#### I<sub>the</sub>

6 A

#### I<sub>e</sub>/U<sub>e</sub>

6 A/250 VAC; 0,25 A/230 VDC

#### Utilisation category

AC-15, DC-13

#### Max. fuse rating

6 A gL/gG D-fuse

#### Ambient temperature

-20 °C ... +60 °C

#### Mechanical life

> 1 million operations

#### Switching frequency

1800/h

#### Repeat accuracy

± 0.1 mm

#### Contact gap

max. 2 x 3.5 mm

#### Ex marking

⊕ II 2G Ex de IIC T6/T5 Gb,

⊕ II 2D Ex tb IIIC

T80°C/T95°C Db

IECEx Ex de IIC T6/T5 Gb,

Ex tb IIIC T80°C/T95°C Db

BVS 04 ATEX E 126,

IECEx BVS 07.0013

#### Approvals



Errors and omissions excepted.