



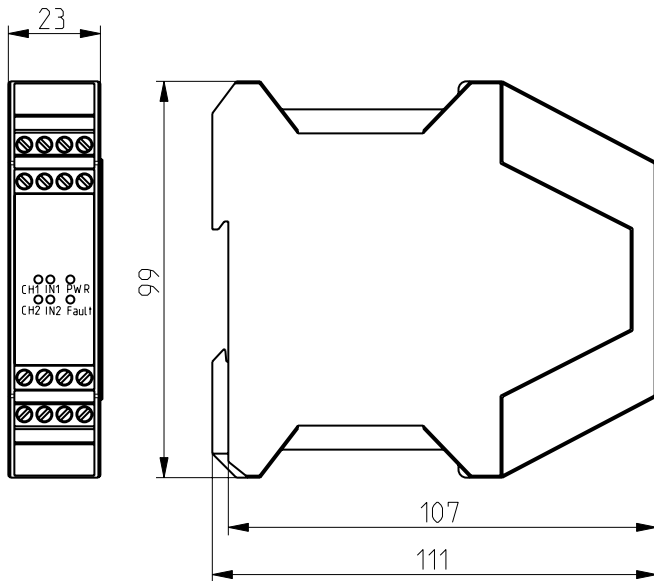
Ex Safety sensors

// Safety relay module SRM 21 Multi Order no.: 90560051


Features/Options

- Enclosure width: 22.5 mm
- 2 NC contact combination connectable
- Feedback circuit
- 2 enabling paths potential-free
- 1 auxiliary output
- Manual or automatic start
- LED indicator for switching condition
- PL e, SIL CL 3

Dimensions

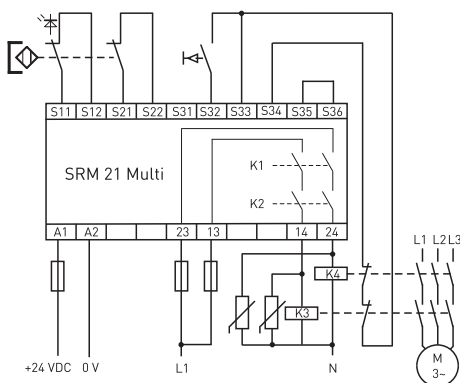


Technical data

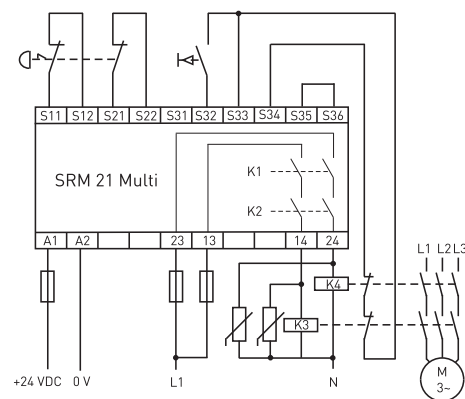
Standards	IEC/EN 60204 -1, EN 60947-5-1, EN 61508, EN ISO 13849-1; EN 60947-5-3/PDF-M
Enclosure	Polyamid PA 6.6 V0 black; DIN rail mounting per EN 50022
Connection	screw terminals
Cable section	1x 2.5 mm ² /2x 1.5 mm ² strand including conductor ferrules, 1x 4 mm ² /2x 2.5 mm ² massive
Degree of protection	Enclosure IP 40, terminals IP 20 as per IEC 60 529, contact protection per VBG 4
Rated operating voltage U_e	24 VDC -20%, +25 %
Power consumption	10 million switching cycles
LED display	4: Operation, fault, inputs A and B
Degree of pollution	2 per EN 50178, DIN VDE 0110
Overvoltage category	III
Ambient temperature	-25 °C ... +55 °C
Storage/shipping temp.	-25 °C ... +75 °C
Shock resistance	10g
T_M	max. 20 years
Approvals	
Weight	120g

Errors and omissions excepted.

Wiring example magnetic safety sensor 2NC



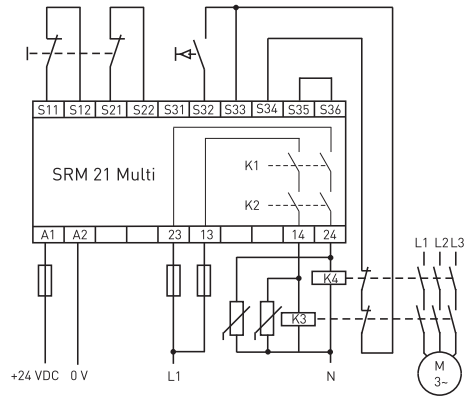
Wiring example emergency-stop push button 2NC



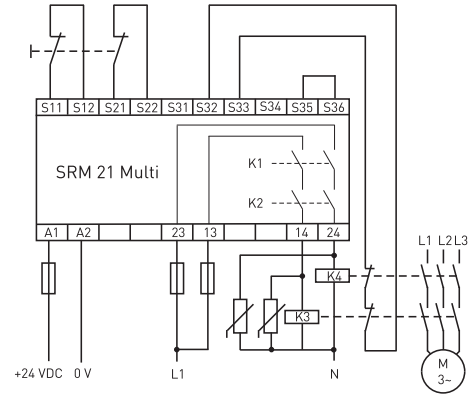
Ex Safety sensors

// Safety relay module SRM 21 Multi Order no.: 90560051

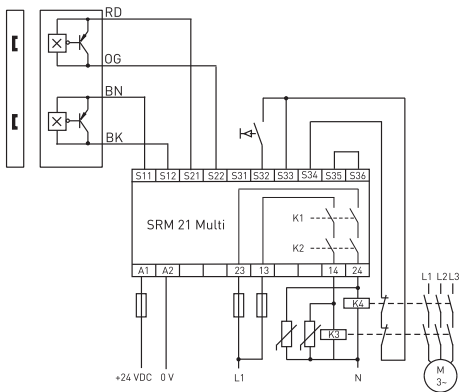
Wiring example safety switch 2NC



Wiring example safety switch 2NC



Wiring example safety hall sensor with two semiconductor outputs as NC



Wiring example safety hall sensor with two semiconductor outputs as NC

