



Permanent Beacon

- Permanent Beacon for traffic light combinations
- Innovative fixing bracket for simple mounting
- Also with two bulb sockets for uniform safety, even in the case of bulb failure

TECHNICAL SPECIFICATIONS:

Dimensions (Ø x Height):	150 mm x 154 mm
Housing:	PC/ABS-Blend, grey
Lens:	PC, transparent
Socket:	E27 max. 25 W at 890 X00 00 2 sockets each with max. 15 W at 890 X10 00 with adhesive stickers E27 max. 15 W
Fixing:	Base mounting, fixing bracket (accessory), tube mounting (accessory)
Connection:	Screw-free clamp mechanism max. 1.5 mm ²
Cable entry:	From top or bottom with cable gland M 20 x 1.5 mm or from the back with rubber grommet Ø 6-12 mm, included in assembly



Traffic Light Combination with mounting bracket (accessory)

ORDER SPECIFICATIONS:

PERMANENT BEACON

Voltage	12 – 240 V≈
red	890 100 00
green	890 200 00
yellow	890 300 00
clear	890 400 00
blue	890 500 00

PERMANENT BEACON WITH 2 SOCKETS (INCL. REFLECTOR)

Voltage	12 – 240 V≈
red	890 110 00
green	890 210 00
yellow	890 310 00

Further colours and voltages on request.

ADDITIONAL INFORMATION:

Please also see LED Beacon/LED Traffic Light 890 with additional advantages (see p. 159)

- Maintenance-free LED technology
- Life duration up to 50,000 hrs
- Clear signalling effect even in direct sunlight



Permanent beacon with two sockets





NEW Beacon 890 in combination with Multi-Tone Sounder 190 (see page 228)



NEW The new adaptor (accessory) allows quick and simple mounting on a tube (Ø 75 mm)



890 with adhesive sticker (accessory)



ACCESSORIES:

FIXING BRACKET

Fixing bracket for one beacon	975 890 33
Fixing bracket for two beacons	975 890 34
Fixing bracket for three beacons	975 890 35
Fixing bracket for four beacons	975 890 37

Mounting material and connecting grommet included in assembly. Further information can be found on page 162.

CONNECTING GROMMET

Connecting grommet for traffic light combinations	975 890 25
---	------------

NEW TUBE ADAPTOR

Adaptor for tube mounting (suitable for Ø 75 mm tubes)	975 890 36
--	------------

REFLECTOR

Additional reflector for 890 X00 00	975 890 02
-------------------------------------	------------

BULBS

LED bulb E27, 24 V	956 X20 75
LED bulb E27, 115 V	956 X20 67
LED bulb E27, 230 V	956 X20 68
X see page 167.	

Bulb E27, 24 V / 25 W	955 890 55
Bulb E27, 115 V / 25 W	955 890 67
Bulb E27, 230 V / 25 W	955 890 68
Bulb E14, 230 V / 15 W	955 890 38

ADHESIVE STICKERS:

→	975 890 52
STOP	975 890 53
START	975 890 54
KEIN ZUTRITT	975 890 56
ZUTRITT	975 890 55
BETRIEB	975 890 57
STÖRUNG	975 890 58
⚡	975 890 64
👤	975 890 65



TECHNICAL DIAGRAMS:

see page 291





Fixing bracket for (LED) Beacons 890 and Multi-Tone Sounder 190

- Beacon/Traffic Light can be completely pre-assembled on the fixing bracket and connected before attachment
- Easy mounting in just a few steps
- NEW** • Also suitable for Multi-Tone Sounder 190
- High Protection rating IP 65

i TECHNICAL SPECIFICATIONS:

Material Fixing bracket:	PC/ABS-Blend
Material Connecting Grommet:	PA 6.6
Assembly:	Fixing bracket with mounting material and connecting grommet Beacon not included in assembly.
Suitable for:	LED Beacon/LED Traffic Light 890 (see page 159) Permanent/Traffic Light Beacon 890 (see page 160) Multi-Tone Sounder 190 (see page 228)

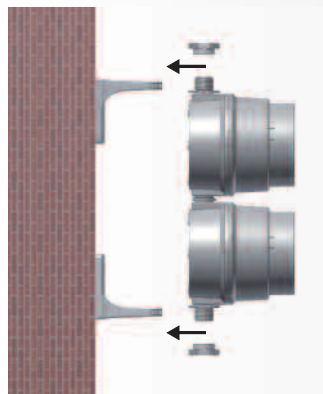
🛒 ORDER SPECIFICATIONS:

Fixing bracket for one beacon	975 890 33
Fixing bracket for two beacons	975 890 34
Fixing bracket for three beacons	975 890 35
Fixing bracket for four beacons	975 890 37

✓ NEW FIXING BRACKET FOR SIMPLE MOUNTING:

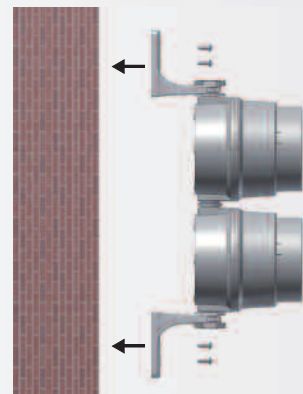
Method No. 1

- Attach the bracket to the wall
- Connect the pre-assembled Traffic Light/Multi-Tone Sounder
- Tighten the nuts on both sides



Method No. 2

- Connect and assemble the Traffic Light
- Attach the Traffic Light/Multi-Tone Sounder to the bracket and tighten the nuts on both sides
- Attach the complete bracket and Traffic Light/Multi-Tone Sounder to the wall



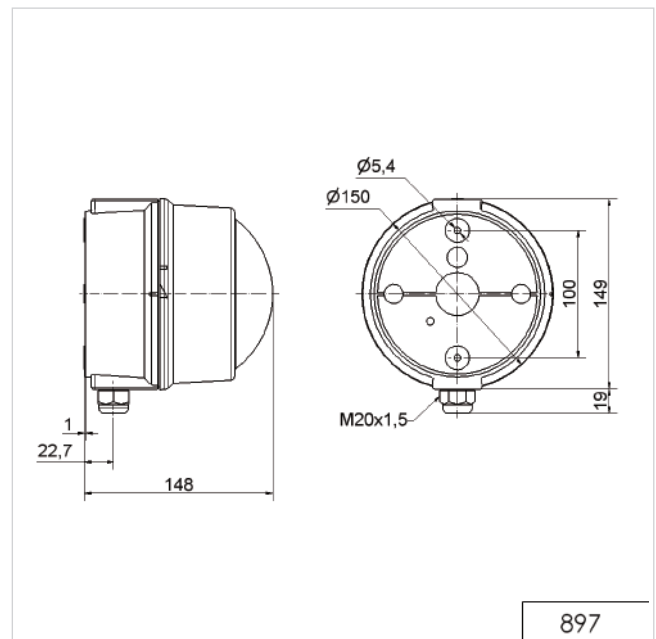
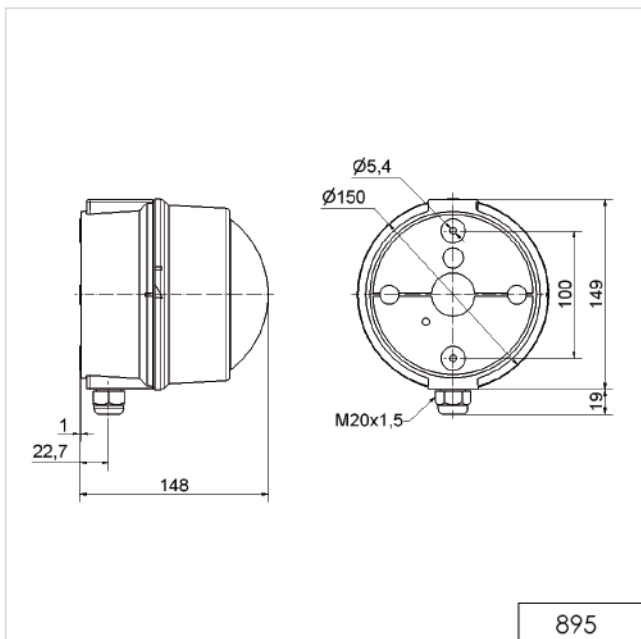
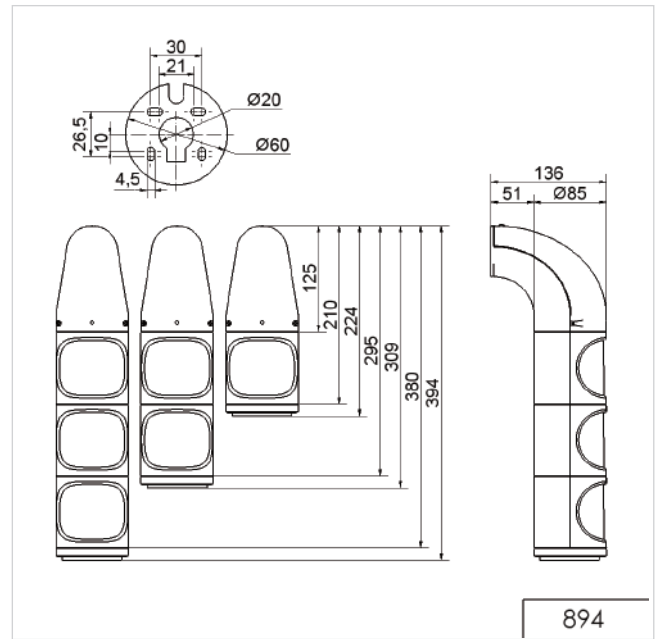
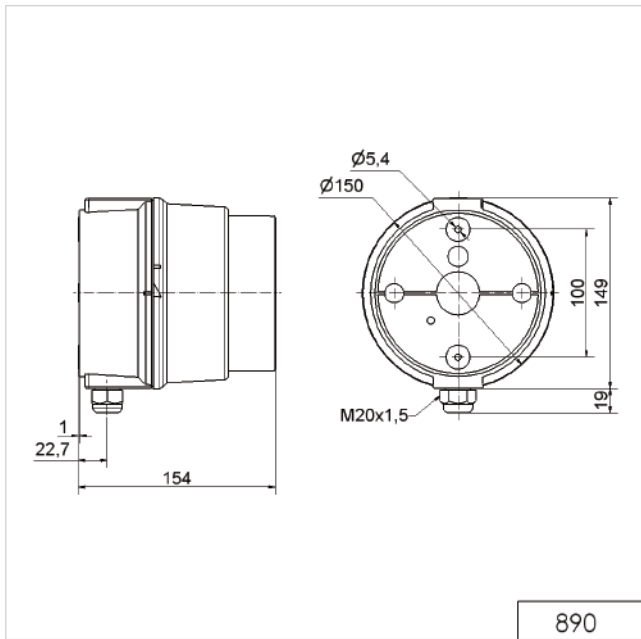
The fixing bracket can be mounted pointing inwards or outwards

📏 TECHNICAL DIAGRAMS:

see page 304

1 tier 158 g	2 tier 175 g	3 tier 195 g	4 tier 215 g	IP65	+50°C -20°C
-----------------	-----------------	-----------------	-----------------	------	----------------





! ADDITIONAL INFORMATION:

You are welcome to request the technical diagrams in digital form. The relevant 3D models, instruction leaflets and connection diagrams can be obtained from us or downloaded from our homepage at any time.