

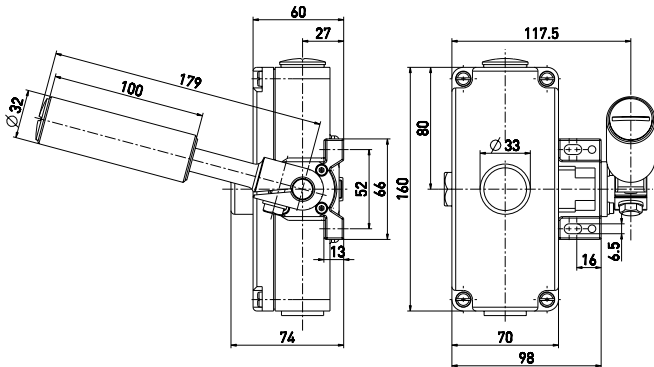
Belt-alignment switch

// ZS 75 SR 20/2S VD Order no.: 75431502

Features/Options

- Metal enclosure
- 4 contacts
- Release by push button
- Belt-alignment roller stainless steel 1.4104

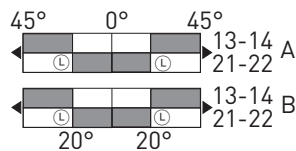
Dimensions



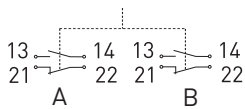
Switching diagram

Snap action


2 NC/2 NO contacts



Contact diagram



Technical data

Standards	IEC/EN 60947-5-1; EN ISO 13849-1
Enclosure	aluminium die-cast, enamel finish
Cover	aluminium die-cast, enamel finish
Degree of protection	IP 65 to IEC/EN 60529
Contact material	silver
Switching elements	2 NC/2 NO contacts with double break
Switching system	snap action, positive break
Connection	NC contacts ⊖
Cable section	screw terminals
	max. 2.5 mm ²
	(incl. conductor ferrules)
Cable entry	2 x M25 x 1.5
B _{10d} (10% Load)	200.000
T _M	max. 20 years
U _{imp}	6 kV
U _i	400 V
I _{the}	6 A
Utilisation category	AC-15
I _e /U _e	6 A/400 VAC
Max. fuse rating	6 A gL/gG D-fuse
Ambient temperature	-25 °C ... +70 °C
Mech. life	> 100.000 operations
Approvals	
Weight	1660g

Errors and omissions excepted.