

Ex belt-alignment switches

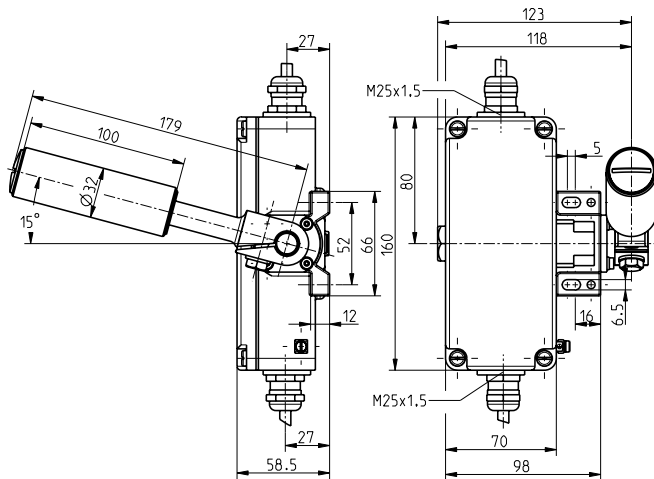
// Ex ZS 75 SR 2 NC/2 NO Order no.: 75331303

Features/Options

- Ex zone 1 and 21
- Metal enclosure
- 4 contacts
- Cable

- Release by push button or key possible
- Belt-alignment roller made of stainless steel 1.4104
- N.B.: Please state required approvals for Russia, China and Brazil with your order!

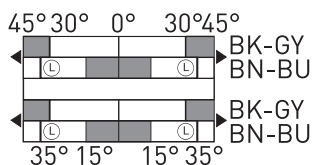
Dimensions



Switching diagram

Slow action

2 NC/2 NO contacts



Technical data

Standards

EN 60947-5-1, -5; EN 60079-0, EN 60079-1, EN 60079-31; EN ISO 13849-1

Enclosure

aluminium die casting, enamel finish

Cover

aluminium die casting, enamel finish

Switch insert

Ex 14

Degree of protection

IP 54 to IEC/EN 60529

Contact material

silver

Switching system

slow action, positive break NC

contact ⊖

Switching elements

2 NO/2 NC

Connection

cable H05VV-F

Cable section

4 x 0.75mm²
(incl. conductor ferrules)
per switch insert

Cable length

3 m

B_{10d} (10% load)

2 million

T_M

max. 20 years

U_{imp}

4 kV

U_i

250 V

I_{the}

T6: 6 A; T5: 3 A

I_e/U_e

6 A/250 VAC; 0,25 A/230 VDC

Utilisation category

AC-15, DC-13

Max. fuse rating

6 A gL/gG D-fuse

Ambient temperature

T6: -20 °C ... +65 °C;
T5: -20 °C ... +95 °C

Mechanical life

> 1 million operations

Ex marking

⊕ II 2G Ex d IIC T6/T5 Gb,

⊕ II 2D Ex tb IIIC

T80°C/T95°C Db IP65

IECEx Ex d IIC T6/T5 Gb,

Ex tb IIIC T80°C/T95°C Db

Approvals

PTB 11 ATEX 1003 X,

IECEx PTB 07.0034 X



Errors and omissions excepted.