

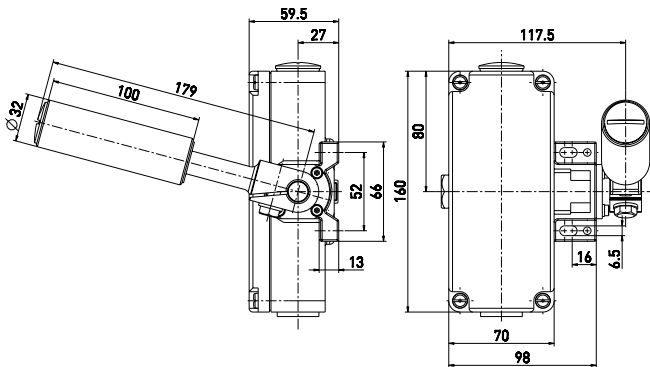
Belt-alignment switch

// ZS 75 SR 10/1S Order no.: 75131001

Features/Options

- Metal enclosure
- 2 contacts
- Belt-alignment roller stainless steel 1.4104
- without mechanical latching

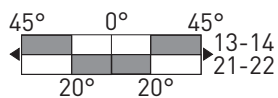
Dimensions



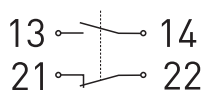
Switching diagram

Snap action


1 NC/1 NO contact
without latching



Contact diagram



Technical data

Standards	IEC/EN 60947-5-1; EN ISO 13849-1
Enclosure	aluminium die-cast, enamel finish
Cover	aluminium die-cast, enamel finish
Degree of protection	IP 65 to IEC/EN 60529
Contact material	silver
Switching elements	change-over contact with double break
Switching system	snap action, positive break
Connection	NC contacts ⊖
Cable section	screw terminals
	max. 2.5 mm ²
	(incl. conductor ferrules)
Cable entry	2 x M25 x 1.5
B _{10d} (10% Load)	2 million
T _M	max. 20 years
U _{imp}	6 kV
U _i	400 V
I _{the}	6 A
Utilisation category	AC-15
I _e /U _e	6 A/400 VAC
Max. fuse rating	6 A gL/gG D-fuse
Ambient temperature	-25 °C ... +70 °C
Mech. life	> 1 million operations
Approvals	
Weight	1600g

Errors and omissions excepted.