

Emergency pull-wire switch

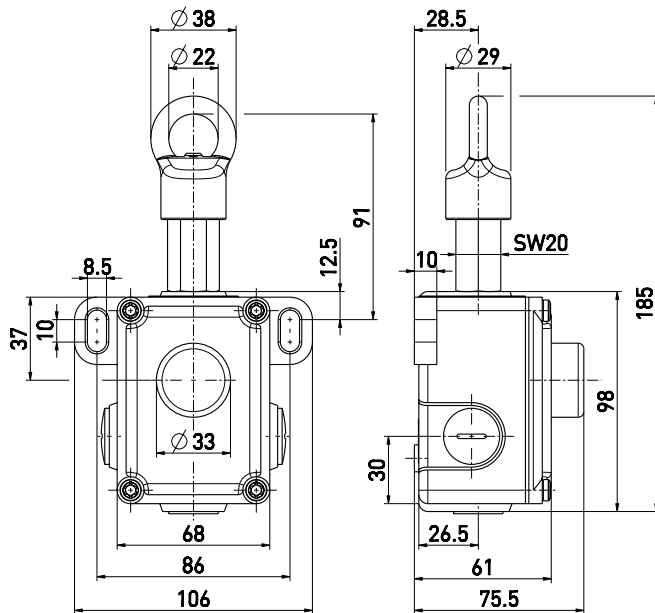
// ZS 441 20 VD / 150 N Order no.: 74541502

Features/Options


- Metal enclosure
- 2 contacts
- Wire length up to 15 m

- Spring force variant (actuating force): 150 N for 5-15 m
- Release by push button
- Wire pull and breakage function

Dimensions



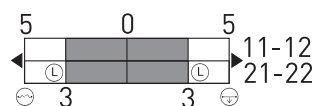
Technical data

| | |
|------------------------------------|---|
| Standards | EN ISO 13849-1; IEC/EN 60947-5-1; IEC/EN 60947-5-5; EN 418 |
| Enclosure | aluminium die-cast, powder-coated |
| Cover | aluminium die-cast, powder-coated |
| Degree of protection | IP 65 to IEC/EN 60529 |
| Contact material | silver |
| Switching elements | 2 NC with double break |
| Switching system | snap action, positive break NC contacts ⊖ |
| Connection | screw terminals |
| Cable section | max. 2.5 mm ² (incl. conductor ferrules) |
| Cable entry | 3 x M20 x 1.5 |
| B_{10d} (10% Load) | 200.000 |
| T_M | max. 20 years |
| U_{imp} | 6 kV |
| U_i | 400 V |
| I_{the} | 6 A |
| Utilisation category | AC-15 |
| I_e/U_e | 6 A/400 VAC |
| Max. fuse rating | 6 A gL/gG D-fuse |
| Ambient temperature | -25 °C ... +70 °C |
| Mech. life | > 100.000 operations |
| Max. wire length | 15 m |
| Features | wire pull and breakage function |
| Approvals |  |
| Weight | 615g |

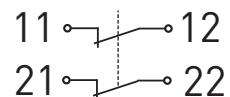
Switching diagram

Snap action

2 NC contacts



Contact diagram



Errors and omissions excepted.