

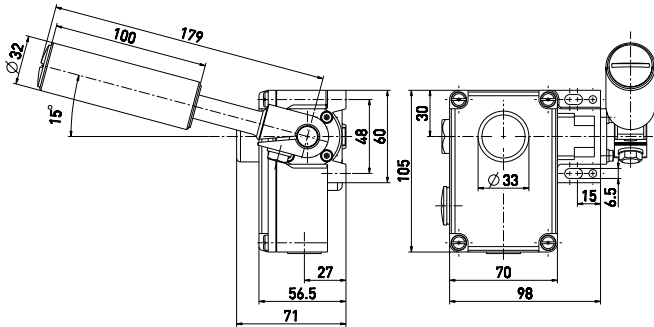
Belt-alignment switch

// ZS 73 SR 10/1S VD Order no.: 73131501

Features/Options

- Metal enclosure
- 2 contacts
- Release by push button
- Belt-alignment roller stainless steel 1.4104

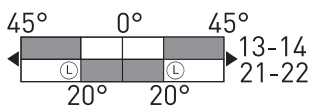
Dimensions



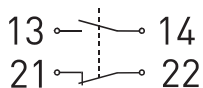
Switching diagram

Snap action


1 NC/1 NO contact



Contact diagram



Technical data

| | |
|--------------------------------|---|
| Standards | IEC/EN 60947-5-1; EN ISO 13849-1 |
| Enclosure | aluminium die-cast, enamel finish; |
| Cover | glass-fibre reinforced, shockproof thermoplastic, ultramid |
| Degree of protection | IP 65 to IEC/EN 60529 |
| Contact material | silver |
| Switching elements | change-over contact with double break |
| Switching system | snap action, positive break NC contacts ⊖ |
| Connection | screw terminals |
| Cable section | max. 2.5 mm ² (incl. conductor ferrules) |
| Cable entry | 2 x M20 x 1.5 |
| B _{10d} (10% Load) | 200.000 |
| T _M | max. 20 years |
| U _{imp} | 6 kV |
| U _i | 400 V |
| I _{the} | 6 A |
| Utilisation category | AC-15 |
| I _e /U _e | 6 A/400 VAC |
| Max. fuse rating | 6 A gL/gG D-fuse |
| Ambient temperature | -25 °C ... +70 °C |
| Mech. life | > 100.000 operations |
| Approvals |  |
| Weight | 1320g |

Errors and omissions excepted.