

## Emergency pull-wire switch

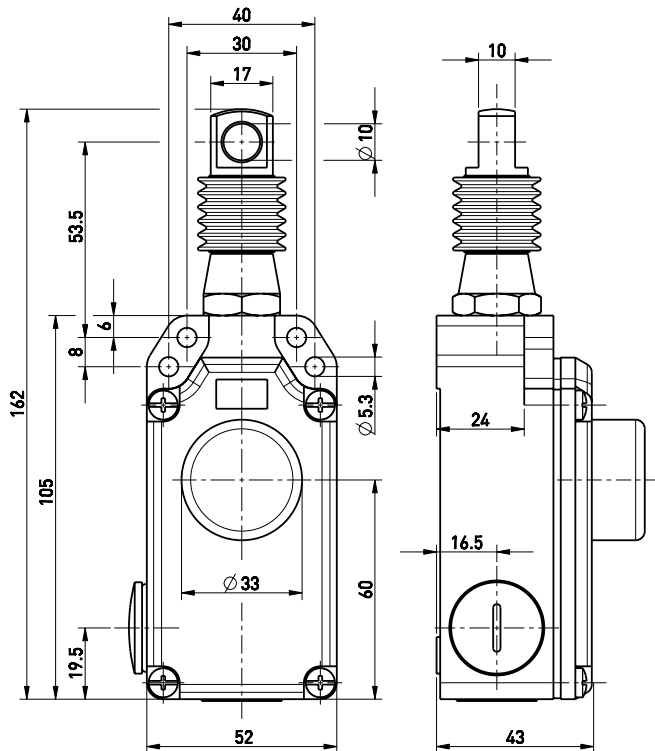
// ZS 71 20 WVD-A / 55 N Order no.: 71542502

### Features/Options


- Metal enclosure
- 2 contacts
- Small design
- Wire length up to 5 m
- Spring force variant (actuating force): 55 N for max. 5 m

- Release by push button
- Wire pull and breakage function
- Position indicator A
- Watertight collar W to protect against the entry of foreign bodies

### Dimensions

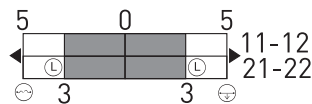


### Technical data

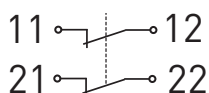
|                                    |   |
|------------------------------------|---|
| <b>Standards</b>                   | EN ISO 13849-1;<br>IEC/EN 60947-5-1;<br>IEC/EN 60947-5-5; EN 418                      |
| <b>Enclosure</b>                   | aluminium die-cast, enamel finish   |
| <b>Cover</b>                       | glass-fibre reinforced,<br>shock-proof thermoplastic,<br>ultramid                     |
| <b>Degree of protection</b>        | IP 65 to IEC/EN 60529   |
| <b>Contact material</b>            | silver  |
| <b>Switching elements</b>          | 2 NC contacts with double break<br>snap action, positive break                        |
| <b>Switching system</b>            | NC contacts ⊖   |
| <b>Connection</b>                  | screw terminals   |
| <b>Cable section</b>               | max. 2.5 mm <sup>2</sup><br>(incl. conductor ferrules)                                |
| <b>Cable entry</b>                 | 2 x M20 x 1.5   |
| <b>B<sub>10d</sub> (10% Load)</b>  | 200.000   |
| <b>T<sub>M</sub></b>               | max. 20 years   |
| <b>U<sub>imp</sub></b>             | 6 kV  |
| <b>U<sub>i</sub></b>               | 400 V   |
| <b>I<sub>the</sub></b>             | 6 A   |
| <b>Utilisation category</b>        | AC-15   |
| <b>I<sub>e</sub>/U<sub>e</sub></b> | 6 A/400 VAC   |
| <b>Max. fuse rating</b>            | 6 A gL/gG D-fuse  |
| <b>Ambient temperature</b>         | -25 °C ... +70 °C   |
| <b>Mech. life</b>                  | > 100.000 operations  |
| <b>Max. wire length</b>            | 5 m   |
| <b>Features</b>                    | wire pull and breakage function   |
| <b>Approvals</b>                   |  |
| <b>Weight</b>                      | 350g  |

### Switching diagram

**Snap action**  
2 NC contacts



### Contact diagram



Errors and omissions excepted.