

Ex pull-wire switches

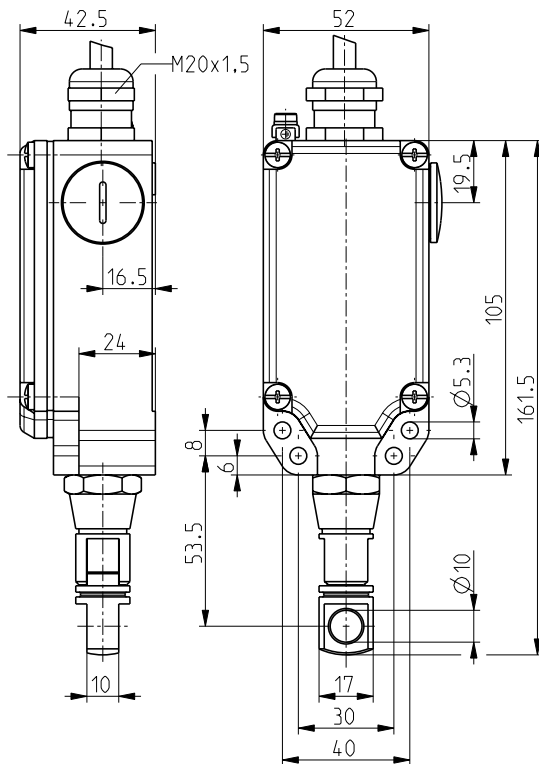
// Ex ZS 71 Z 10/1S-55N Order no.: 71041310

Features/Options

- Ex zone 1 and 21
- Metal enclosure
- Wall mounting

- 2 contacts
- Pull-wire function
- N.B.: Please state required approvals for Russia, China and Brazil with your order!

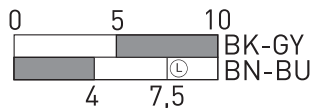
Dimensions



Switching diagram

Slow action

1 NC/1 NO contact



Technical data

Standards	EN 60947-5-1, -5; EN 60079-0, EN 60079-1, EN 60079-31; EN ISO 13849-1
Enclosure	aluminium die casting, enamel finish
Cover	thermoplastic, ultramid
Schalteinsatz	Ex 14
Degree of Protection	IP 65 to IEC/EN 60529
Contact material	silver
Switching system	slow action, positive break NC contacts ⊖
Switching elements	change-over contact with double break, galvanically separated contact bridges
Connection	Anschlussleitung H05VV-F
Cable section	4 x 0,75mm ² (incl. conductor ferrules)
Leitungslänge	3 m
B_{10d} (10 % load)	2 million
T_M	max. 20 years
U_{imp}	4 kV
U_i	250 V
I_{the}	T6: 6 A; T5: 3 A
Utilisation category	AC-15, DC-13
I_e/U_e	6 A/250 VAC, 0,25 A/230 VDC
Max. fuse rating	6 A gL/gG D-fuse
Ambient temperature	T6: -20 °C ... +65 °C; T5: -20 °C ... +95 °C
Mechanical life	> 1 million operations
Indicator lamp	as option
Switching frequency	1800/h
Features	pull-wire function
Ex-Kennzeichnung	⊕ II 2G Ex d IIC T6/T5 Gb, ⊕ II 2D Ex tb IIIC T80°C/T90°C Db IECEx Ex d IIC T6/T5 Gb, Ex tb IIIC T80°C/T90°C Db
Approvals	PTB 06 ATEX 1065 X, IECEx PTB 07.0034 X



Errors and omissions excepted.