

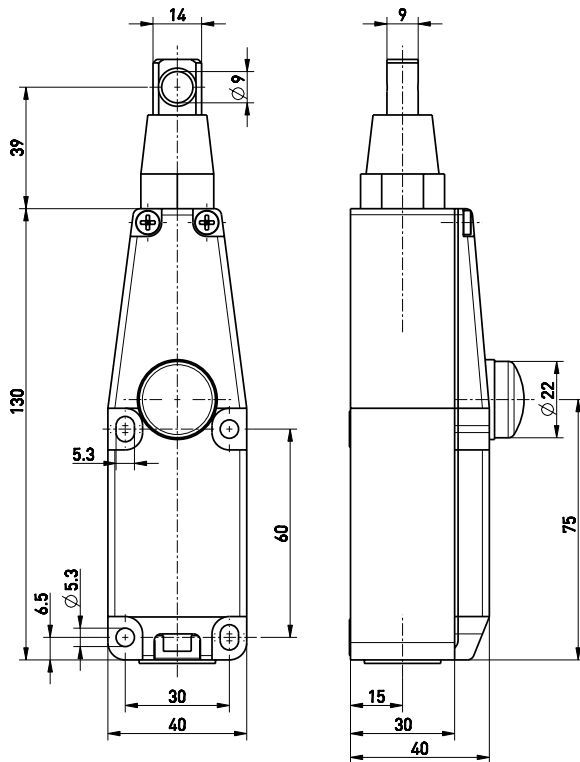
Emergency pull-wire switch // ZS 70 20 VD Order no.: 70541501

Features/Options

- Thermoplastic enclosure
- 2 contacts
- Mounting details to DIN EN 50 041
- Small design

- Wire length up to 8 m
- Release by push button
- Wire pull and breakage function

Dimensions

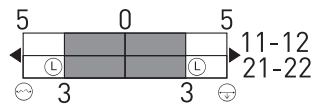


Technical data

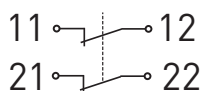
Standards	EN ISO 13849-1; IEC/EN 60947-5-1; IEC/EN 60947-5-5; EN 418
Enclosure	glass-fibre reinforced, shock-proof thermoplastic, ultramid
Cover	glassfibre reinforced, shock-proof thermoplastic, ultramid
Degree of protection	IP 67 to IEC/EN 60529
Contact material	silver
Switching elements	2 NC contacts with double break snap action,
Switching system	positive break NC contacts ⊖
Connection	screw terminals
Cable section	max. 2.5 mm ² (incl. conductor ferrules)
Cable entry	1 x M20 x 1.5
B _{10d} (10% Load)	200.000
T _M	max. 20 years
U _{imp}	6 kV
U _i	400 V
I _{the}	6 A
Utilisation category	AC-15
I _e /U _e	6 A/400 VAC
Max. fuse rating	6 A gL/gG D-fuse
Ambient temperature	-25 °C ... +70 °C
Mech. life	> 100.000 operations
Max. wire length	8 m
Features	wire pull and breakage function
Approvals	 UL, CE, US
Weight	240g

Switching diagram

Snap Action
2 NC contacts



Contact diagram



Errors and omissions excepted.