

Ex radio command devices

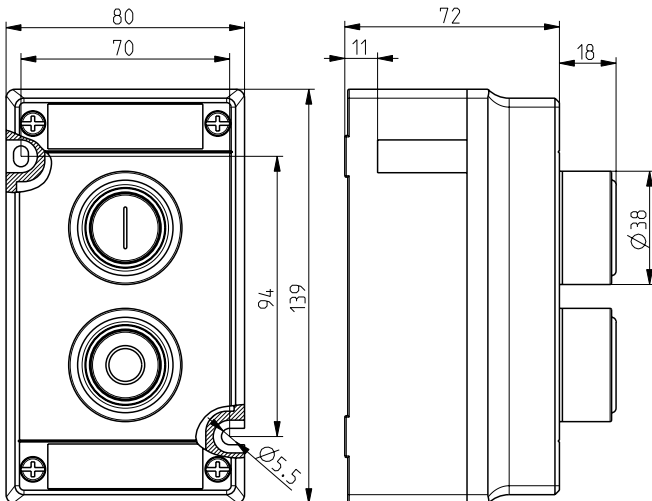
// Ex RF BF 80 2 DT DT EN868 Order no.: 6820223101

Features/Options

- Ex zone 1 and 2, as well as 21 and 22
- Polyester resin enclosure
- Output signal can be individually configured at the receiver
- EnOcean-protocol
- Data rate 120 kbps

- No power supply, no wiring and pipe laying required
- Multi-network capable
- Easy programming of receiver
- Actuator: 2 push-buttons DT
- Different combinations of actuators available

Dimensions



Technical Data

Standards	EN 60079-0; EN 60079-11; EN 61241-11; EN 61000-6, -1, -2, -3, -4; EN 60947-5-1; EN 301-489-1; EN 301 489-3; EN 300 220-3
Enclosure	glass fibre-reinforced Polyester resin
Switching system	push-button
Degree of protection	IP 66 per IEC/EN 60529
Protocol	EnOcean
Ambient temperature	-20 °C ... +60 °C
Switching frequency	approx. 9000 telegrams at repetitions/h
Voltage supply	Electrodynamic energy generator
Frequency	868.3 MHz
Transmission power	max. 10 mW
Data rate	120 kbps
Bandwidth channel	280 kHz
Sensing range	max. 300 m outside, max. 30 m inside
Actuating time	min. 80 ms
Mech. life	> 1 million operations
Ex-marking	⊕ II 2G Ex ib IIC T6 Gb, ⊕ II 2D Ex ib IIIC T80°C Db
Approvals	BVS 10 ATEX E 075, IECEx in 2011
Note	no status signal

Errors and omissions excepted.