

Ex radio command devices

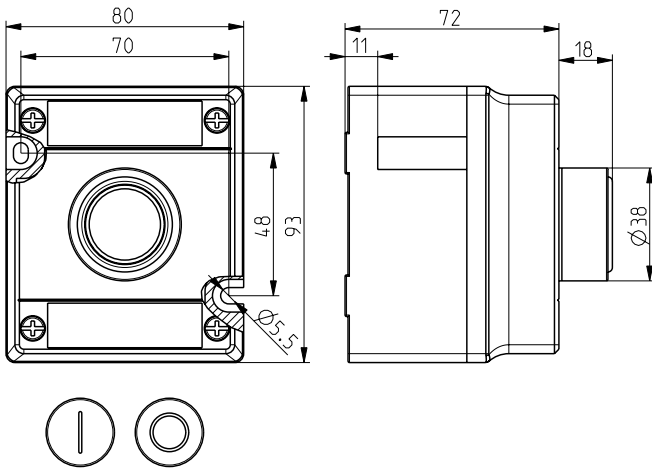
// Ex RF BF 80 1 DT EN868 Order no.: 6810013101

Features/Options

- Ex zone 1 and 2, as well as 21 and 22
- Polyester resin enclosure
- Output signal can be individually configured at the receiver
- EnOcean-protocol
- Data rate 120 kbps

- No power supply, no wiring and pipe laying required
- Multi-network capable
- Easy programming of receiver
- Actuator: Push-button DT
- 2 Push-button plates included in the scope of delivery

Dimensions



Technical Data

| | |
|-----------------------------|--|
| Standards | EN 60079-0; EN 60079-11; EN 61241-11; EN 61000-6, -1, -2, -3, -4; EN 60947-5-1; EN 301-489-1; EN 301 489-3; EN 300 220-3 |
| Enclosure | glass fibre-reinforced polyester resin |
| Switching system | push-button |
| Degree of protection | IP 66 per IEC/EN 60529 |
| Protocol | EnOcean |
| Ambient temperature | -20 °C ... +60 °C |
| Switching frequency | approx. 9000 telegrams at repetitions/h |
| Voltage supply | Electrodynamic energy generator |
| Frequency | 868.3 MHz |
| Transmission power | max. 10 mW |
| Data rate | 120 kbps |
| Bandwidth channel | 280 kHz |
| Sensing range | max. 300 m outside, max. 30 m inside |
| Actuating time | min. 80 ms |
| Mech. life | > 1 million operations |
| Ex-marking | ⊕ II 2G Ex ib IIC T6 Gb, ⊕ II 2D Ex ib IIIC T80°C Db |
| Approvals | BVS 10 ATEX E 075, IECEX in 2011 |
| Note | no status signal |

Errors and omissions excepted.