

## Ex command devices

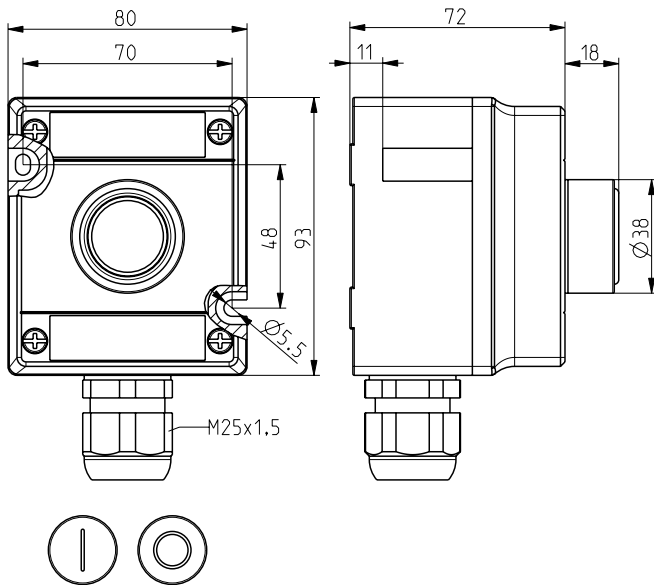
// Ex BF 80 1 DT 10/1S Order no.: 6810013001

### Features/Options

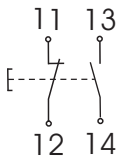
- Ex zone 1 and 2, as well as 21 and 22
- Polyester resin enclosure
- PU foam gaskets

- Actuator: Push-button DT
- 2 Push-button plates included in the scope of delivery

### Dimensions



### Contact diagram



### Technical Data

<b>Standards</b>	EN 60079-0; EN 60079-1; EN 60079-5; EN 60079-7; EN 60079-11; EN 60079-18; EN 61241-0; EN 61241-1; EN ISO 13849-1
<b>Enclosure</b>	glass fibre-reinforced polyester resin
<b>Protection class</b>	IP 65 per IEC/EN 60529
<b>Switching system</b>	slow action, NC contact with positive break screw terminals
<b>Connection</b>	
<b>Rated wire section contact elements</b>	max. 6 mm <sup>2</sup> (incl. conductor ferrules)
<b>Rated wire section serial/connection clamps</b>	max. 4 mm <sup>2</sup>
<b>Cable entry</b>	M25 x 1.5
<b>B<sub>10d</sub> (10% load)</b>	6050
<b>T<sub>M</sub></b>	max. 20 years
<b>Mechanical life</b>	50 000 operations
<b>Temperature class</b>	T6 / T5 / T4
<b>Contact element</b>	
<b>I<sub>e</sub></b>	23 A
<b>U<sub>e</sub></b>	max. 500 V
<b>Utilisation category</b>	AC-1; DC-1
<b>Rated operating current/voltage</b>	6 A/690 VAC; 6 A/220 VDC
<b>Ambient temperature</b>	T6: - 40 °C ... + 40 °C, T5: - 40 °C ... + 55 °C, - 50 °C ... + 60 °C on request
<b>Ex marking</b>	⊕ II 2G Ex edqm ia/ib [ia/ib] II, IIA, IIB, IIC, T6/T5/T4 ⊕ II 2D Ex tD A21 IP65 T80°C, T95°C, T130°C
<b>Approvals</b>	PTB 10 ATEX 1018, IECEx in 2011

Errors and omissions excepted.